

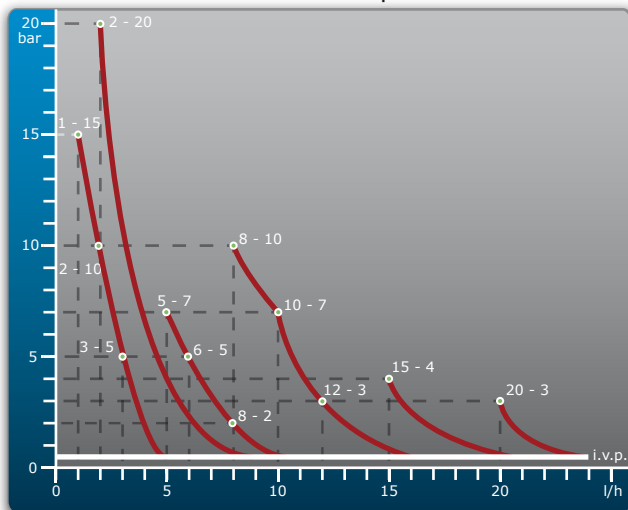


DLX-DLXB Dosing Pumps



Model	Flow rate l/h - GPH	Pressure Bar - PSI	Max imp./min.	Output for stroke ml	Stroke mm	Suction height m	Standard power supply Volts - Hz	Power comp. Watts	Current comp. Ampere	Net weight Kg		
0115	1 - 0,26	15 - 217	120	0,14	1,10	2,0	230 V 50-60 Hz	37	0,16	2,3		
	2 - 0,53	10 - 145		0,28								
	3 - 0,78	5 - 72		0,42								
0220	2 - 0,53	20 - 290		0,28	1,10			2,0	230 V 50-60 Hz	58	0,25	2,9
	5 - 1,32	7 - 101		0,69	1,10					37	0,16	2,3
0507	6 - 1,59	5 - 72		0,83				1,10	2,0			
	8 - 2,12	2 - 29		1,11								
0810	8 - 2,12	10 - 145		1,11	1,40			2,0	230 V 50-60 Hz	58	0,25	2,9
	10 - 2,64	7 - 101		1,39								
1504	12 - 3,17	3 - 43		1,67	2,00			2,00	230 V 50-60 Hz	58	0,25	2,9
	15 - 3,69	4 - 58		2,08								
2003	20 - 5,26	3 - 43		150	2,60			1,80	230 V 50-60 Hz	58	0,25	2,9

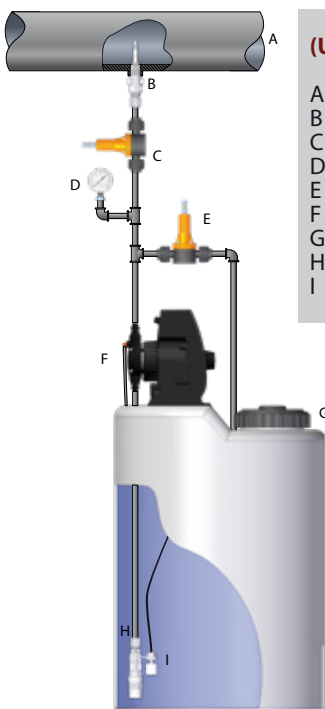
Curves flow rate vs. pressure



Hydraulic Parts

Wetted Parts	Standard Materials	Upon Request
Pump Head	PVDF*	PP/AISI 316/ PTFE
Diaphragm	PTFE	
Valves	FPM (Viton®)	EPDM (Dutral®); Silicone; NBR; Ceramic; PTFE
Sealings	FPM (Viton®)	EPDM (Dutral®); Silicone; NBR; TFE/P
Injection Valve	PVDF/FPM (Viton®)	PP/EPDM (Dutral®); Silicone; NBR; Ceramic; TFE/P
Foot Filter		
Suction/Bleeding Tubings	PVC	PVDF/PTFE/PE
Delivery Tubing	PE	

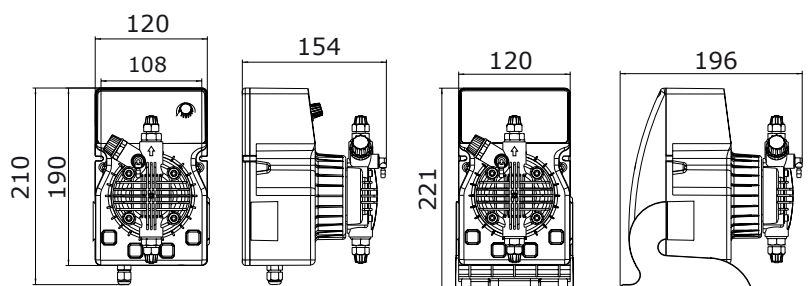
*For 2 l/h - 20 bar is PP (PVDF upon request)



(UK) SAMPLE INSTALLATION

- A - Main Pipeline
- B - New Injection Valve
- C - Backpressure Valve
- D - Pressure Gauge
- E - Relief Valve
- F - Dosing Pump
- G - Tank
- H - New Foot Filter
- I - Level Switch

UK - Stroke length adjustment





DLX

Common Features

Wall mounted DLX or foot mounted DLXB dosing pumps • Anti-acid plastic casing IP65 protection • Pump supplied with manual air bleed pump head • Level control setting (supplied without probe): -/M Series (-/AD Series upon request) • Suction height: 2 m • Max pulse/minute: 150 • Standard power supply: 230V - 50/60Hz • Optional 110V - 50/60 Hz, 24V 50/60Hz, 24Vdc, 12Vdc.

Materials

Pump Head: PVDF, upon request PP and PVC • Diaphragm: PTFE • Valves: FPM (Viton) lip valve, upon request other elastomers as EPDM (Dutral), NBR (Nitril) and Silicone. Available ball ceramic valves (PTFE upon request) • Connections: 4x6 mm • Foot filter: PVDF-FPM (Viton) • Injection valve: PVDF-FPM (Viton) • Tube Kit: 2m + 2m PVC crystal suction and bleeding hose ; 2m PE delivery hose.

MA/AD

Analogue dosing pump • Manual with flow rate adjustment 0÷100% and 0÷20% with double regulation scale • Available with level control - MA/AD+LIV (Supplied without probe).



MA/MB

Microcontroller dosing pump • 7 digit display • Manually adjustable flow rate from 0÷100% and 0÷20% • Level control and Flow Sensor setting (supplied without probe) • Available without flow sensor.

VET/MBB

Proportional dosing pump • Operating functions: Manual: manual - flow rate adjustment from 0÷100% • 1xn: for each pulse received, the pump will dose the number of injections selected by the operator. 1xn(M): for each pulse received, the pump will dose the number of injections selected by the operator. In the instance where a second pulse is received before the pump unit has completed the cycle, the pump retains this external pulse within its memory and re-starts at the end of the completed cycle • This is particularly suited for high concentration dosing • 1/n: the pump counts the number of external pulses received until reaching the value set by the operator, at which point the pump will dose one injection • TTL: Proportional mode by pulses input.



MF/M

Multifunction dosing pump • Operating functions: Manual; 1xn; 1xn(M); 1/n; ppm, mA • Water meter input/mA input • Additional features: Flow sensor • Level control (without probe) • Relay Output • Buzzer • Clock • Timer.

PH-RX-CL/M - PH-RX/MBB

Microcontroller dosing pump with pH, RX (mV), Free Chlorine control and regulation instrument • Backlight LCD display • ON/OFF - proportional operation modes • 0÷14pH; -1000 ÷ +1400mV; 0÷2ppm; 0÷20ppm; 0÷200ppm; 0÷2000ppm measuring range • 4÷20mA output • pH, RX (ORP) electrodes input (10 Tera Ohm) • Probe gain regulation 40÷80 mV/pH • Automatic (only for the PH-RX-CL/M model) or manual temperature compensation 0÷100°C • Hysteresis and delay programming of Set point • Display resolution: 0,01pH; ±1mV; 0,01ppm; 0,1°C • Level flow sensor input. Model PH-RX-CL/M have relay alarm output and are prepared to receive a contact from a proximity switch 2 wires NC.





ETATRON D.S.

HEAD OFFICE - ITALY

Via Dei Ranunoli, 53 - 00134 Roma ITALY

Phone +39 06 93 49 891 - Fax +39 06 93 43 924

e-mail: info@etatronds.com

[www . e t a t r o n d s . c o m](http://www.etatronds.com)

