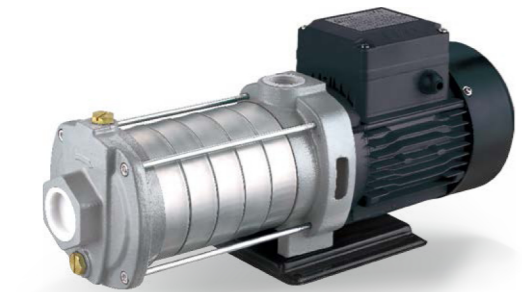


ECH



ECHS

## Application

- It is applicable to household water supply, equipment support, pipeline pressurization, garden watering, vegetable greenhouse watering, fish farming and poultry raising, industrial and mining, water supply and drainage of enterprises and high-rise buildings, central air conditioner and centralized heating circulation system, etc.

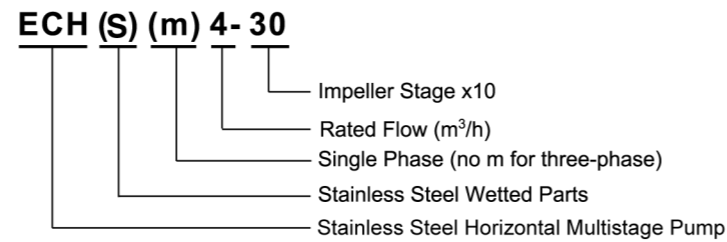
## Pump

- AISI 304 shaft
- Max. liquid temperature: +85°C
- Altitude: up to 1000 m
- Max. suction: 8 m
- Max. inlet pressure: limited by max. operating pressure

## Motor

- Motor with copper winding
- Built-in thermal protector for single phase motor
- Insulation class: F
- Protection class: IP44
- Max. ambient temperature: +40°C

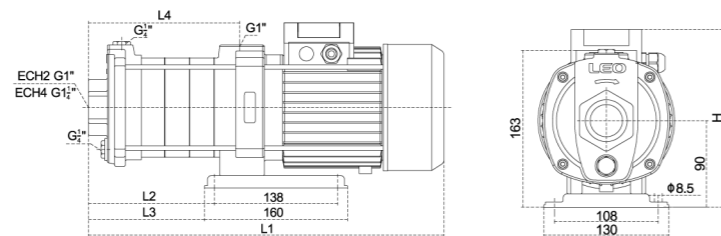
## Identification Codes



## Technical Data

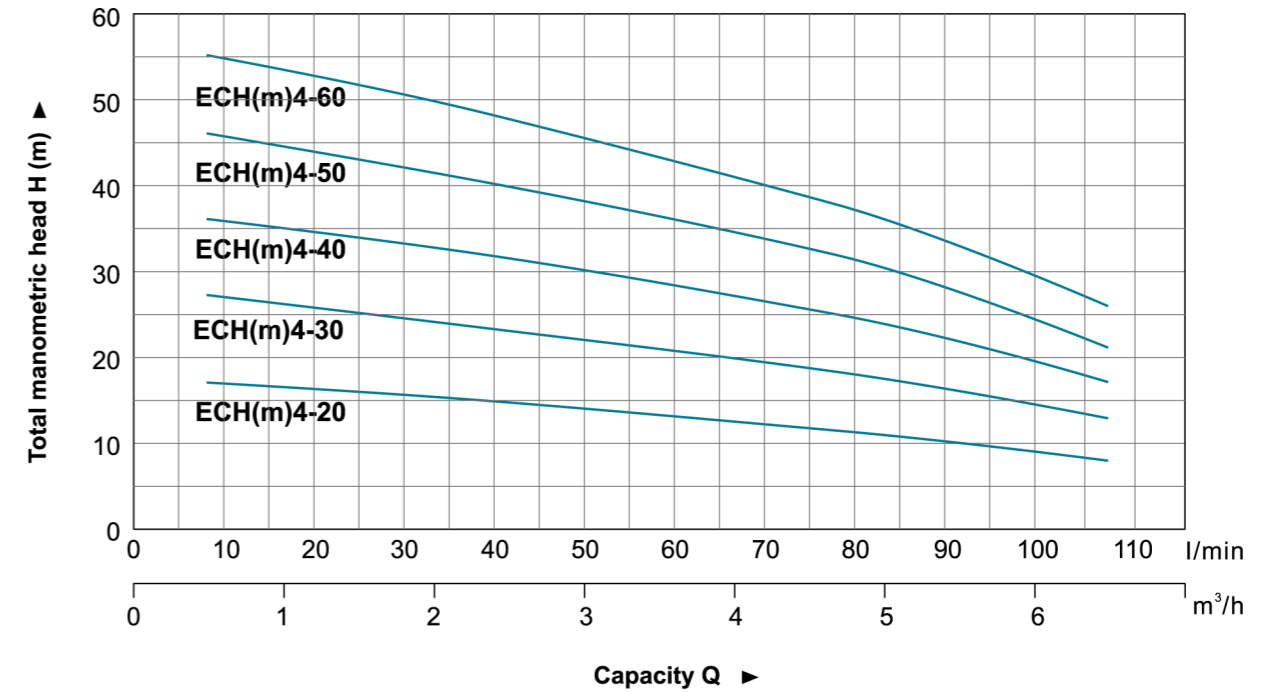
Model	Power		Q (m <sup>3</sup> /h) Q (l/min)	H (m)							
	kW	HP		0	1	2	3	4	5	6	7
ECH(m)4-20	0.55	0.75	H (m)	18	17	16	15	13	12	10	8
ECH(m)4-30	0.55	0.75		28	27	25	23	21	19	16	13
ECH(m)4-40	0.75	1.0		38	36	34	32	28	26	22	17
ECH(m)4-50	1.1	1.5		48	46	43	40	36	33	28	21
ECH(m)4-60	1.1	1.5		58	55	52	48	43	39	33	26

## Dimension



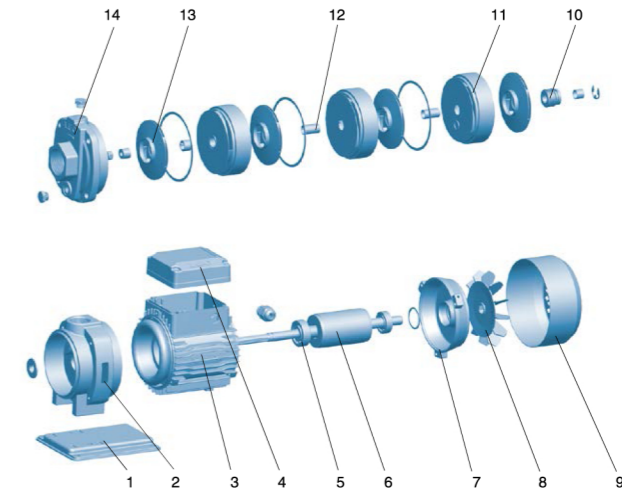
Model	L1	L2	L3	L4	H	
					Single Phase	Three Phase
ECH(m)4-20	342	85.5	74.5	114	211	185
ECH(m)4-30	370	113	102	141.5	211	185
ECH(m)4-40	398	140.5	129.5	169	211	185
ECH(m)4-50	426	168	157	196.5	211	185
ECH(m)4-60	453	195.5	184.5	224	211	185

## Hydraulic Performance Curves



## Materials Table

No.	Part	Material
1	Bottom plate	Q235
2	Support	Cast iron/AISI 304
3	Stator	
4	Terminal box	ABS
5	Bearing	
6	Rotor	
7	Rear cover	ZL102
8	Fan	PP
9	Fan cover	08F
10	Mechanical seal	Carbon/Ceramic
11	Diffuser	AISI 304
12	Sleeve	AISI 304
13	Impeller	AISI 304
14	Pump body	Cast iron/AISI 304



## Package Information

Model	GW (Kgs)	L (mm)	W (mm)	H (mm)	Quantity (PCS/20' TEU)
ECH(m)4-20	12.6	400	185	240	1593
ECH(m)4-30	12.8	400	185	240	1593
ECH(m)4-40	14.6	455	185	240	1404
ECH(m)4-50	15.1	455	185	240	1404
ECH(m)4-60	15.6	455	185	240	1287

