



- 01 -

- 02 -

- 03 -

- 04 -

- 05 -

- 06 -

- 07 -

## Pumps

- Vertical In-line Pump
- Bare Shaft End Suction Centrifugal Pump

 利欧集团浙江泵业有限公司  
LEO GROUP PUMP(ZHEJIANG) CO.,LTD. (Stock code: 002131)

2016 VI.1

No.1, 3rd Street, East Industry Center, Wenling, Zhejiang, China, 317500  
Tel: +86-576-8998 6360 Fax: +86-576-8998 9898 E-mail: export@leogroup.cn www.leogroup.cn

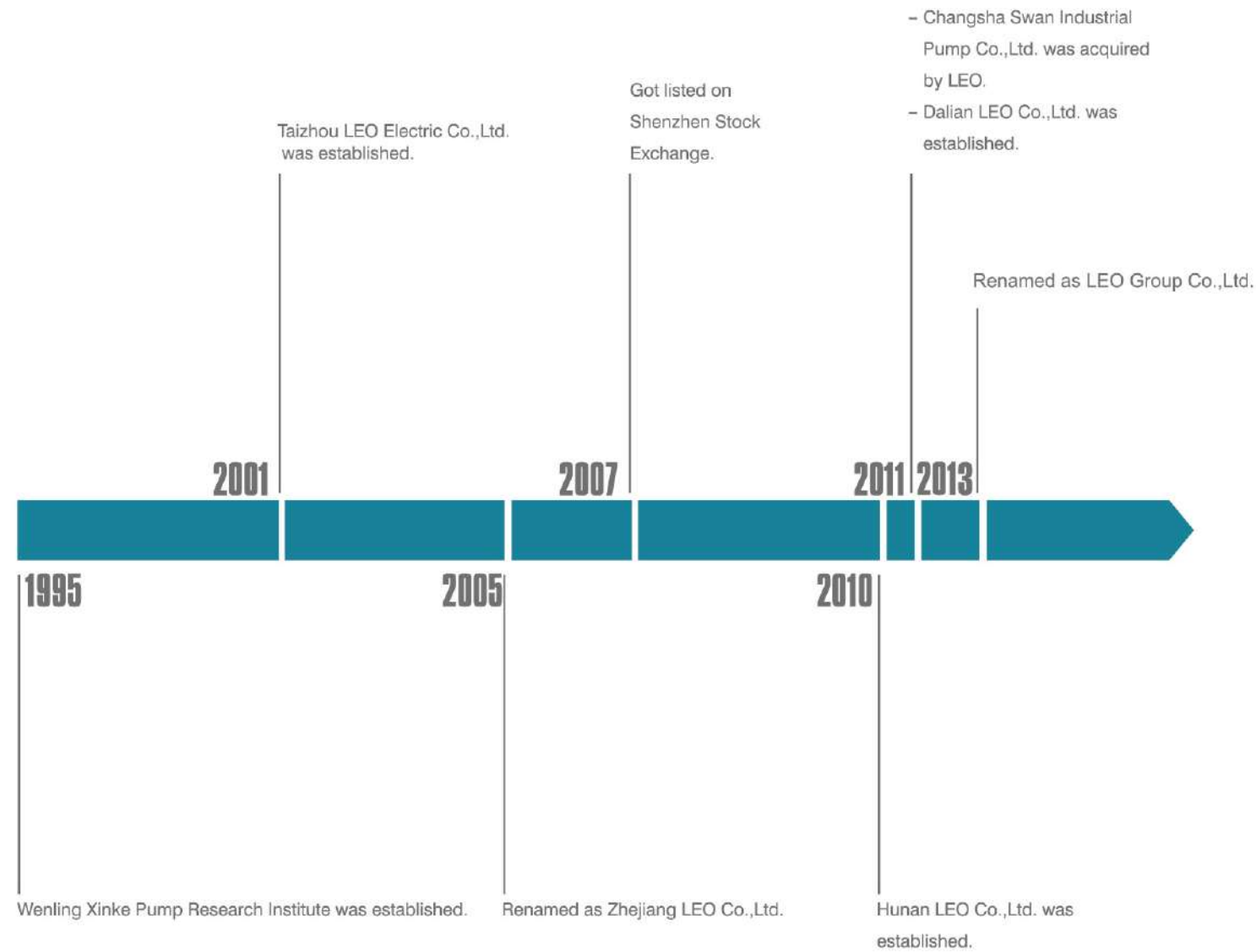
[www.leogroup.cn](http://www.leogroup.cn)

利欧集团浙江泵业有限公司  
LEO GROUP PUMP(ZHEJIANG) CO.,LTD.



[www.leogroup.cn](http://www.leogroup.cn)

## HISTORY



## TO KNOW LEO

LEO Group ( got listed in Shenzhen Stock Exchange with stock code 002131) is a national high-tech enterprise engaged in R&D, design , manufacture, sales and service of all series pump. LEO is the first listed company in Chinese pump industry, one of the drafters of pump industry standard and the vice president of drainage and irrigation machinery branch of China Agricultural machinery industry association as well. It is mentionable that LEO has the only state-authorized technical center in this industry.

Our products have been sold to over 120 countries and regions, such as Europe, North America, Central &South America, Southeast Asia, Middle East, Africa, Oceania ,etc., which play a crucial role in water conservancy , water resources, electric power construction, petrochemical industry, mining, metallurgy, fire-fighting, HVAC(Heating, Ventilation and Air Conditioning), agricultural irrigation, civil water supply and drainage, etc.

LEO has currently two industrial groups respectively for industrial and civilian applications. With five manufacturing bases in Wenling of Zhejiang, Xiangtan of Hunan, Changsha of Hunan, Wuxi of Jiangsu and Dalian of Liaoning, LEO possesses a solid foundation to become a world-class pump and system solution provider rapidly.

With over 70 years' professional technology, LEO will continue her consistent creativity and development ability in each pump for human's health.



## NUMEROUS MEMBERS, ONE FAMILY

Based on market segment, LEO's pump business is divided into 5 fields, namely water conservancy & water resources, power station, petrochemical industry, mining & metallurgical industry and civilian applications. For each field there's a professional manufacturing base with relevant professional sales teams. Four subsidiary companies – Wuxi LEO Xi Pump, Changsha LEO Swan Pump, Dalian LEO Huaneng Pump and Hunan LEO Pump are all well-known industrial pump manufacturers in their own fields. With over 70 years' industrial pump manufacturing experience and extraordinary comprehensive strength, LEO becomes a leading company among all industrial pump manufacturers in China.



### Pump Manufacturing Base for Domestic and Commercial Applications (Wenling City, Zhejiang Province)

It is the core base for R&D, manufacturing, sales and service of domestic and commercial pumps for family water supply, pipeline boosting, garden and field irrigation, HVAC, etc.

The leading products include peripheral pump, jet pump, centrifugal pump, garden submersible pump, fountain pump, pool pump, domestic lifting station, gasoline engine pump, diesel engine pump, submersible pump, submersible borehole pump, submersible sewage pump, stainless steel vertical multistage pump, etc.

The product range covers 15 series with over 2,000 specifications, which are well sold in more than 120 countries and regions. The base has established steady cooperative relationships with world-class pump manufacturers, importers, dealers and hypermarkets.



### Pump Manufacturing Base for General Industrial Pumps (Xiangtan City, Hunan Province)

It is the most important base for industrial pumps.

The products are mainly used in mine, metallurgy, coal washing, FGD, municipal water, etc.

A world-class pump testing center with testing power up to 12,500 kW realizes high precision tests for real pumps which are used for power station, water conservancy and water resources, petrochemical industry, mining and metallurgical industry.



### Pump Manufacturing Base for Water Conservancy & Water Resources (Wuxi City, Jiangsu Province)

This base grew out of Wuxi Xi Pump Manufacturing Co., Ltd, a well-known manufacturer for water conservancy.

The base is specialized in production of large and medium-sized pumps for urban water supply and drainage, field irrigation, water conservancy projects and large water diversion projects. The main products cover 8 series with 995 specifications.

With great honor, the model 300HW-8 mixed-flow pump won the first national quality award of Chinese pump industry. As a main supplier, the base provides large pumps for South-to-North Water Diversion Project, a national key project.



### Pump Manufacturing Base for Petrochemical Industry (Dalian City, Liaoning Province)

The predecessor of this base is Dalian Huaneng Corrosion-Resistant Pump Works, who's a well-known pump manufacturer in petrochemical industry.

The base is specialized in production of petrochemical pumps for the upstream industry of oil and gas (including exploration, exploitation and storage) and downstream industry of petrochemicals (including crude oil refinery, heavy chemical industry, fine chemistry and coal chemical industry).

The base focuses on design and manufacture of 30 series (OH, BB, VS, etc.) of petrochemical pumps with over 3,000 specifications, which are in accordance with API and ISO standard. The production of large crude oil long distance pipeline pump (BB1 and BB2) and HTHP overloaded pump (BB3 and BB4) is available. LNG cryo-pump is already in development.

The base is Class A supplier of CNPC and qualified sub supplier of Shenhua Group.



### Application

- HVAC: Circulation of hot water, boiler mix-flow, temperature mix-flow, intermittent heat supply, etc
- Air conditioning system: Cooling water circulation
- Water supply system: Filtration and transfer at waterworks; Pressure boosting in main pipe
- Industrial applications: Washing & cleaning systems, boiler feeding, cooling water circulation, water treatment systems, and auxiliary systems
- Fire-fighting system

### Pump

- Flow: up to 760 m<sup>3</sup>/h
- Head: up to 85 m
- Power range: 0.37 – 132 kW
- Liquid temperature: 0°C – +90°C
- Max ambient temperature: + 40°C
- Max operation pressure: 16 bar
- Altitude: up to 1000 m

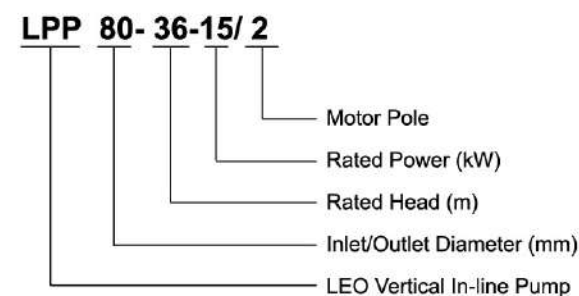
### Motor

- Closed construction
- Insulation class: F
- Protection class: IP 55
- IE 2 motor as standard. IE 3 motor is available on request

### Flange

- EN 1092 and DIN 2576 standard

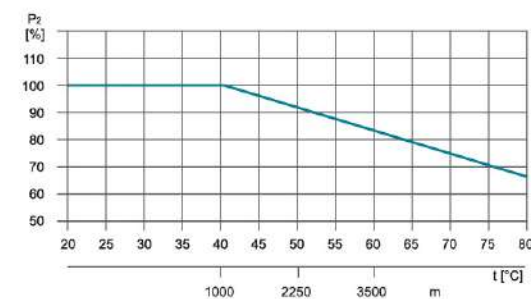
### Identification Codes



### Ambient Temperature

Max. Ambient temperature: +40°C. Ambient temperature above 40°C, or installation at altitude of more than 1000 m above sea level, require the use of an oversize motor. Because of low air density and poor cooling effects, the motor output power P<sub>2</sub> will be decreased. See the picture.

For example, when the pump is installed at altitude of more than 3500 m above sea level, P<sub>2</sub> will be decrease to 88%. When the ambient temperature is 70°C, P<sub>2</sub> will be decreased to 78%.

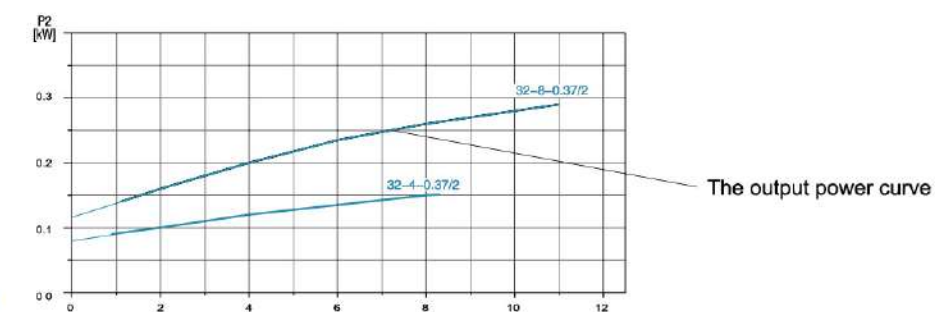
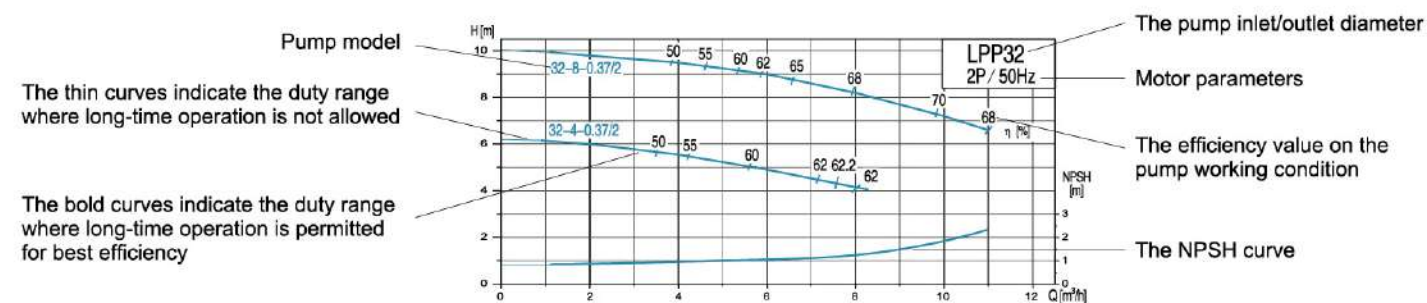


### Materials Table

No.	Part	Materials
1	Pump body	Cast iron
2	Impeller	Cast iron
3	Mechanical seal	Carbon/Silicon carbide
4	Pump shaft	Steel/AISI 304
5	Clamp ring	Steel
6	Motor base	Cast iron
7	Motor	



### How to Read The Curve Charts



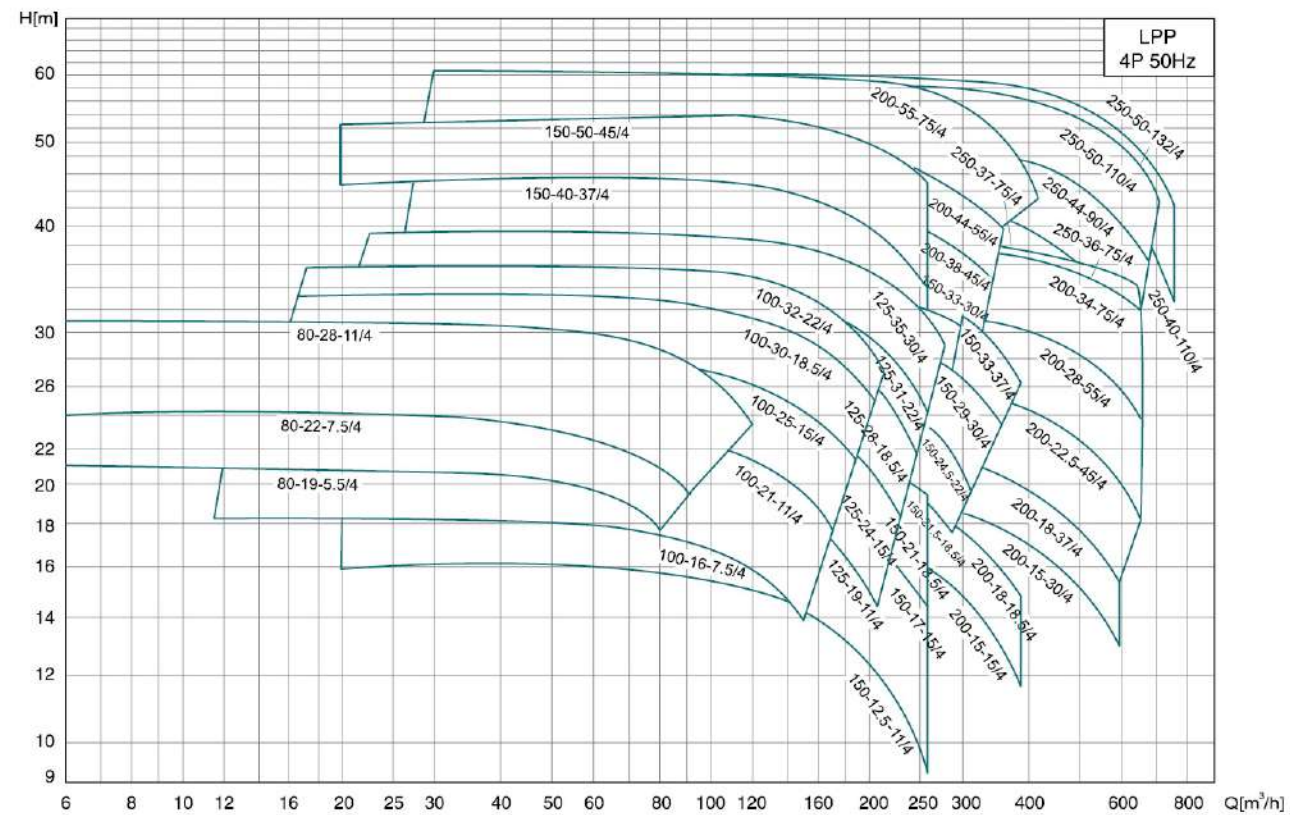
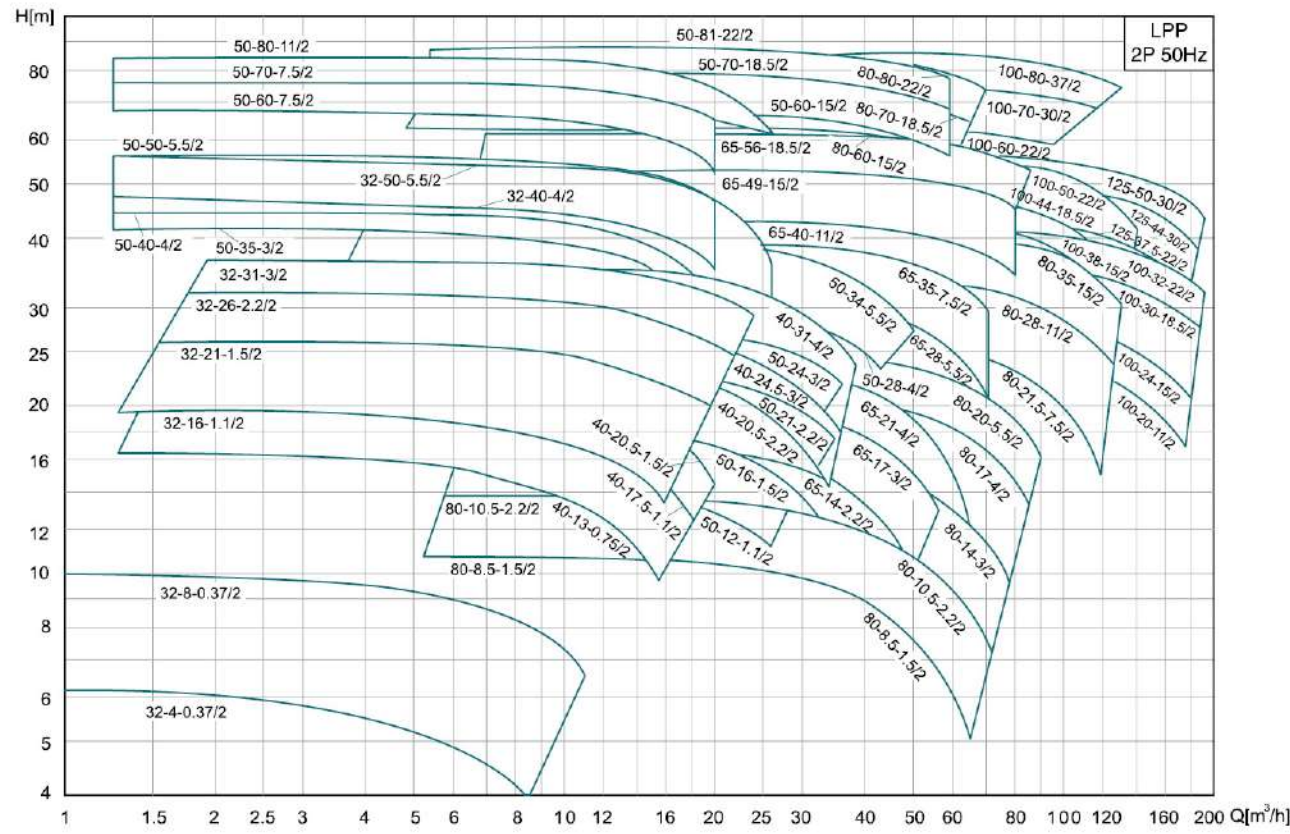
### Guidelines to Performance Curves

Tolerances to ISO 9906, Annex A. Measurements have been made with airless water at a temperature of 20°C and kinematic viscosity of 1mm<sup>2</sup>/s. To avoid overheating of the motor, the pump should not be use against a high head for a long time.

Model	Power P2 (kW)	Rated Speed n (r/min)	Rated Flow Q (m³/h)	Rated Head (m)	Max. Flow Q (m³/h)	Max. Head H(m)	NPSHc (m)
LPP32-8-0.37/2	0.37	2900	8.5	8	11	10	2
LPP32-4-0.37/2	0.37	2900	7.5	4	8.5	6	2
LPP32-31-3/2	3	2900	20	31	24	37	2
LPP32-26-2.2/2	2.2	2900	18	26	21	32	2
LPP32-21-1.5/2	1.5	2900	14	21	18.5	26	2
LPP32-16-1.1/2	1.1	2900	12	16	16	20	2
LPP32-50-5.5/2	5.5	2900	12.5	50	20	53.5	2.5
LPP32-40-4/2	4	2900	12.5	40	20	46	2.5
LPP40-20.5-1.5/2	1.5	2900	12	20.5	20	25	2
LPP40-17.5-1.1/2	1.1	2900	12	17.5	18	21	2
LPP40-13-0.75/2	0.75	2900	10	13	15.5	16.5	2
LPP40-31-4/2	4	2900	26	31	38	35	2
LPP40-24.5-3/2	3	2900	24	24.5	36	28	2
LPP40-20.5-2.2/2	2.2	2900	23	20.5	35	25	2
LPP50-24-3/2	3	2900	30	24	36	29	2
LPP50-21-2.2/2	2.2	2900	24	21	35	25	2
LPP50-16-1.5/2	1.5	2900	22	16	32	19	2
LPP50-12-1.1/2	1.1	2900	20	12	26	15	2
LPP50-34-5.5/2	5.5	2900	35	34	50	42	2
LPP50-28-4/2	4	2900	30	28	43	33	2
LPP50-50-5.5/2	5.5	2900	12.5	50	26	54	5
LPP50-40-4/2	4	2900	12.5	40	26	42	5
LPP50-35-3/2	3	2900	12.5	35	20	40	5
LPP50-80-11/2	11	2950	12.5	80	26	81.5	2.5
LPP50-70-7.5/2	7.5	2950	12.5	70	20	73	2.5
LPP50-60-7.5/2	7.5	2950	12.5	60	20	63	2.5
LPP50-81-22/2	22	2950	50	81	59	88	4.8
LPP50-70-18.5/2	18.5	2950	50	70	59	78	4.8
LPP50-60-15/2	15	2950	50	60	59	67	4.8
LPP65-35-7.5/2	7.5	2900	55	35	70	39	2.5
LPP65-28-5.5/2	5.5	2900	50	28	70	30	2.5
LPP65-21-4/2	4	2900	45	21	60	24	2.5
LPP65-17-3/2	3	2900	40	17	56	20	2.5
LPP65-14-2.2/2	2.2	2900	35	14	50	17	2
LPP65-56-18.5/2	18.5	2950	70	56	86	61	3
LPP65-49-15/2	15	2950	65	49	80	53	3
LPP65-40-11/2	11	2950	56	40	80	43	2.5
LPP80-20-5.5/2	5.5	2900	70	20	90	25	3.5
LPP80-17-4/2	4	2900	64	17	79	21	3.2
LPP80-14-3/2	3	2900	55	14	75	17	3
LPP80-10.5-2.2/2	2.2	2900	52	10.5	70	14	3
LPP80-8.5-1.5/2	1.5	2900	45	8.5	65	10.5	3
LPP80-35-15/2	15	2950	110	35	130	42	4.5
LPP80-28-11/2	11	2950	100	28	125	35	4.5
LPP80-21.5-7.5/2	7.5	2950	90	21.5	119	28	4
LPP80-80-22/2	22	2950	50	80	70	86	2.8
LPP80-70-18.5/2	18.5	2950	45	70	65	75	2.8
LPP80-60-15/2	15	2950	40	60	60	63	2.8
LPP100-32-22/2	22	2950	170	32	190	43	6.5
LPP100-30-18.5/2	18.5	2950	160	30	179	38	6.5
LPP100-24-15/2	15	2950	150	24	180	31	6.5
LPP100-20-11/2	11	2950	135	20	175	28	6.5
LPP100-80-37/2	37	2950	100	80	130	86	3.5
LPP100-70-30/2	30	2950	90	70	120	76	3.5

Model	Power P2 (kW)	Rated Speed n (r/min)	Rated Flow Q (m³/h)	Rated Head (m)	Max. Flow Q (m³/h)	Max. Head H(m)	NPSHc (m)
LPP100-60-22/2	22	2950	80	60	96	64	3.5
LPP100-50-22/2	22	2950	100	50	140	56	3.5
LPP100-44-18.5/2	18.5	2950	90	44	140	47	3.5
LPP100-38-15/2	15	2950	85	38	130	43	3.5
LPP125-50-30/2	30	2950	160	50	190	58	5.5
LPP125-44-30/2	30	2950	150	44	190	52	5.5
LPP125-37.5-22/2	22	2950	135	37.5	180	45	5.5
LPP80-28-11/4	11	1480	90	28	120	31	2
LPP80-22-7.5/4	7.5	1480	80	22	100	24	2
LPP80-19-5.5/4	5.5	1480	68	19	80	21.5	2
LPP100-32-22/4	22	1480	170	32	213	36	2
LPP100-30-18.5/4	18.5	1480	160	30	208	33	2
LPP100-25-15/4	15	1480	155	25	186	28	2
LPP100-21-11/4	11	1480	130	21	170	23	2
LPP100-16-7.5/4	7.5	1480	115	16	150	19	2
LPP125-35-30/4	30	1480	200	35	279	40	2.5
LPP125-31-22/4	22	1480	170	31	260	34	2
LPP125-28-18.5/4	18.5	1480	155	28	249	30	2
LPP125-24-15/4	15	1480	140	24	230	27	2
LPP125-19-11/4	11	1480	125	19	209	22	2
LPP150-33-37/4	37	1480	300	33	390	37	3.5
LPP150-29-30/4	30	1480	280	29	360	32	3.5
LPP150-24.5-22/4	22	1480	250	24.5	324	28	3
LPP150-21.5-18.5/4	18.5	1480	230	21.5	290	23	3
LPP150-50-45/4	45	1480	200	50	260	52	2
LPP150-40-37/4	37	1480	200	40	260	44	2
LPP150-33-30/4	30	1480	200	33	300	36	3.5
LPP150-25-22/4	22	1480	200	25	260	28	3.5
LPP150-25-30/4	30	1480	300	25	360	31	4.1
LPP150-21-18.5/4	18.5	1480	200	21	260	24	3
LPP150-17-15/4	15	1480	200	17	260	20	3
LPP150-12.5-11/4	11	1480	200	12.5	260	16	3
LPP200-34-75/4	75	1480	600	34	659	41	5.5
LPP200-28-55/4	55	1480	560	28	656	32	5.5
LPP200-22.5-45/4	45	1480	521	22.5	662	27	5.25
LPP200-55-75/4	75	1480	300	55	420	61	5.5
LPP200-44-55/4	55	1480	280	44	360	50	5.5
LPP200-38-45/4	45	1480	262	38	340	45	5.5
LPP200-32-37/4	37	1480	245	32	320	38	5.5
LPP250-50-110/4	110	1480	550	50	715	58	4.7
LPP250-44-90/4	90	1480	500	44	650	50	4.7
LPP250-37-75/4	75	1480	460	37	645	44	4.7
LPP200-36-75/4	75	1480	500	36	650	40	4.8
LPP200-18-37/4	37	1480	500	18	600	23	5.4
LPP200-15-30/4	30	1480	500	15	600	20	5.4
LPP200-18-18.5/4	18.5	1480	300	18	390	20	3.5
LPP200-15-15/4	15	1480	300	15	390	18	3.5
LPP250-50-132/4	132	1480	630	50	760	60	5.8
LPP250-40-110/4	110	1480	630	40	760	53	5.8

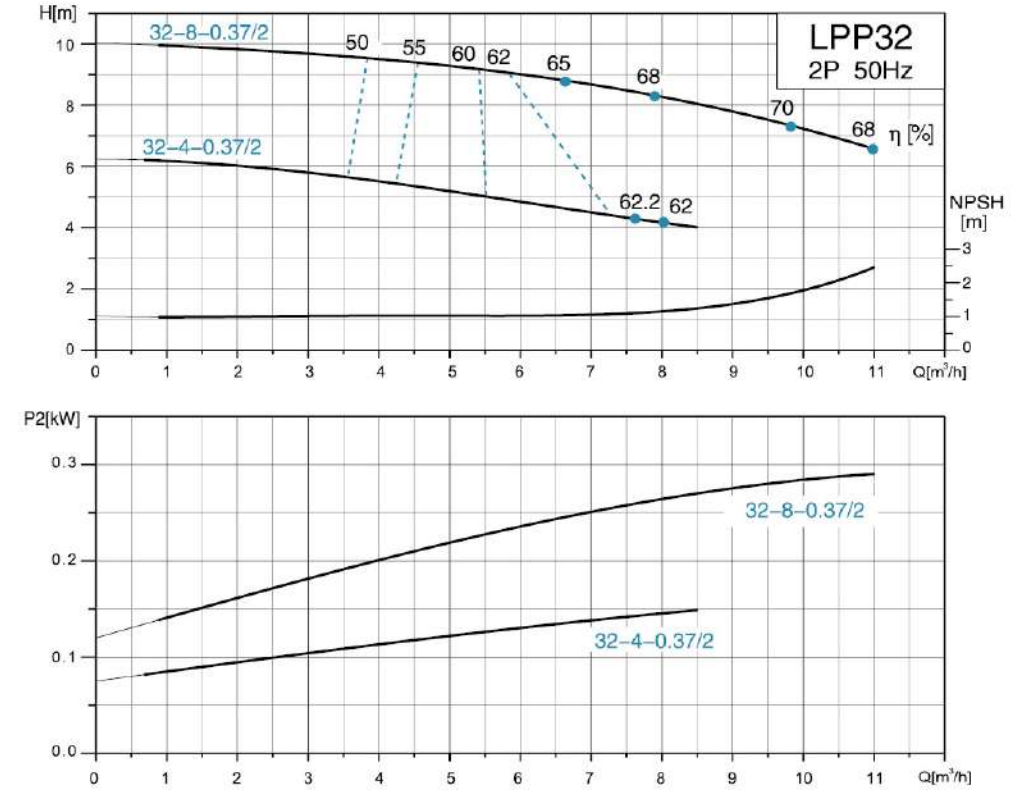
### Hydraulic Performance Curves



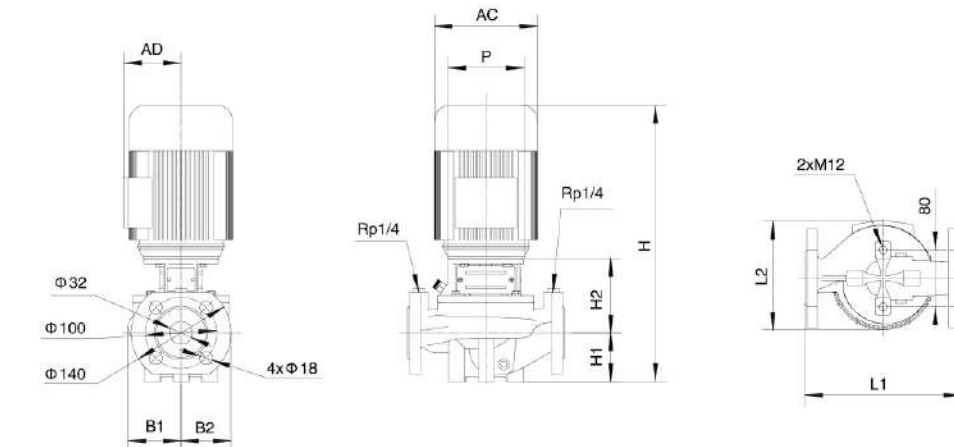
### Hydraulic Performance Curves

LPP32

2900r/min



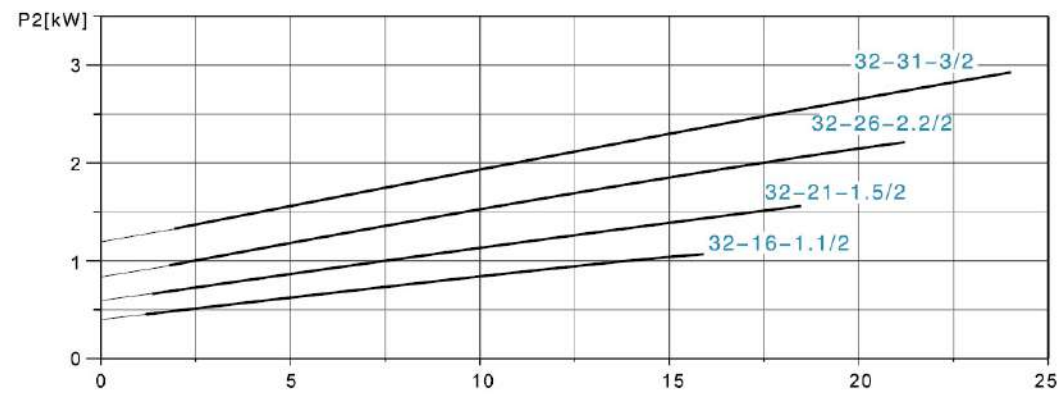
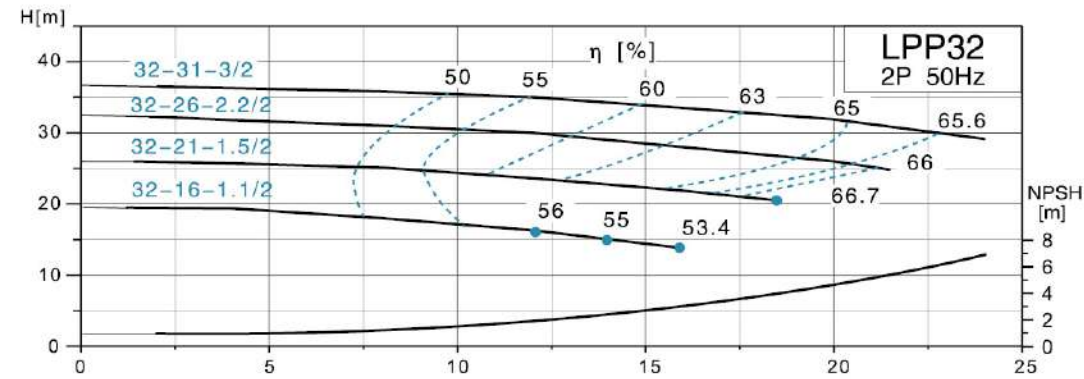
### Dimension Drawing



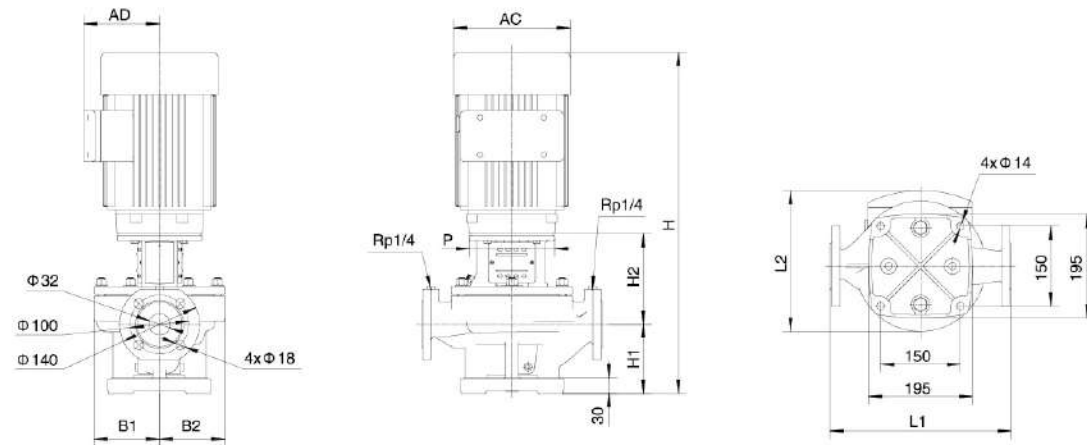
Model	L1 (mm)	L2 (mm)	H (mm)	H1 (mm)	H2 (mm)	B1 (mm)	B2 (mm)	P (mm)	AD (mm)	AC (mm)
LPP32-8-0.37/2	220	175	386	68	104.5	75	70	105	105	130
LPP32-4-0.37/2										

### Hydraulic Performance Curves

<b>LPP32</b>	<b>2900r/min</b>
--------------	------------------



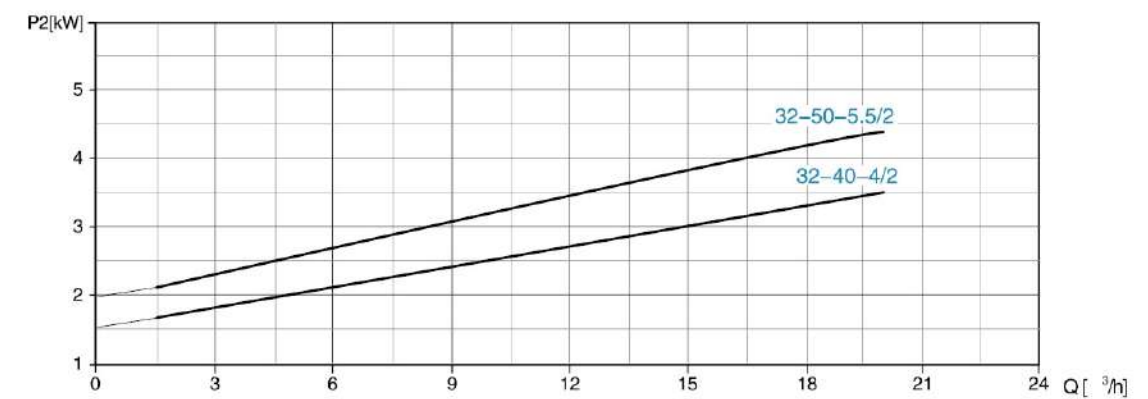
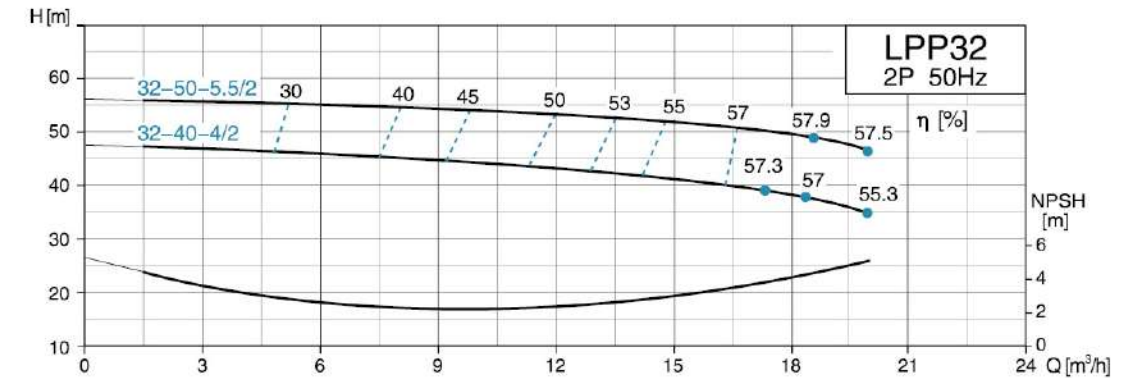
### Dimension Drawing



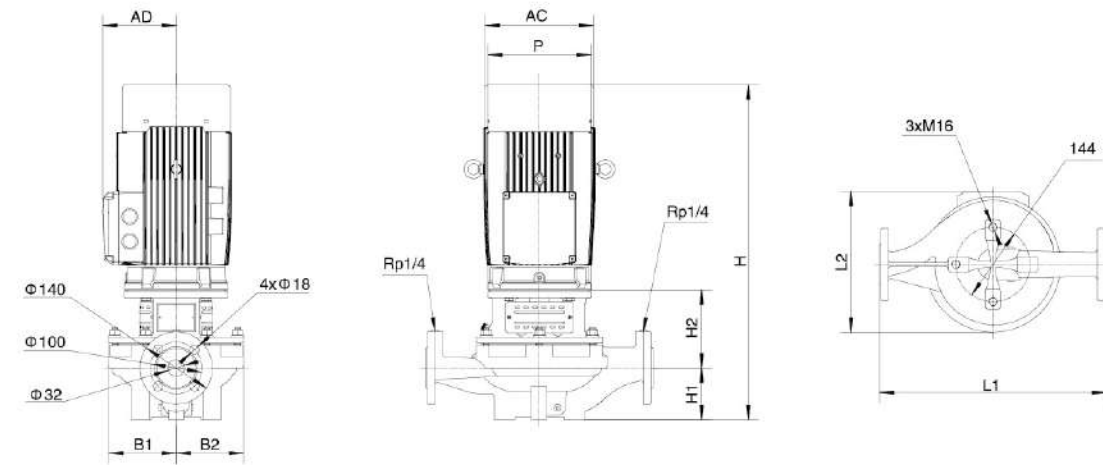
Model	L1 (mm)	L2 (mm)	H (mm)	H1 (mm)	H2 (mm)	B1 (mm)	B2 (mm)	P (mm)	AD (mm)	AC (mm)
LPP32-31-3/2	340	246	641	130	171	123	123	160	119.5	186
LPP32-26-2.2/2	340	250.5	618.5	130	171	123	123	140	127.5	164
LPP32-21-1.5/2	340	250.5	618.5	130	171	123	123	140	127.5	164
LPP32-16-1.1/2	340	247.5	568.5	130	171	123	123	120	124.5	150

### Hydraulic Performance Curves

<b>LPP32</b>	<b>2900r/min</b>
--------------	------------------

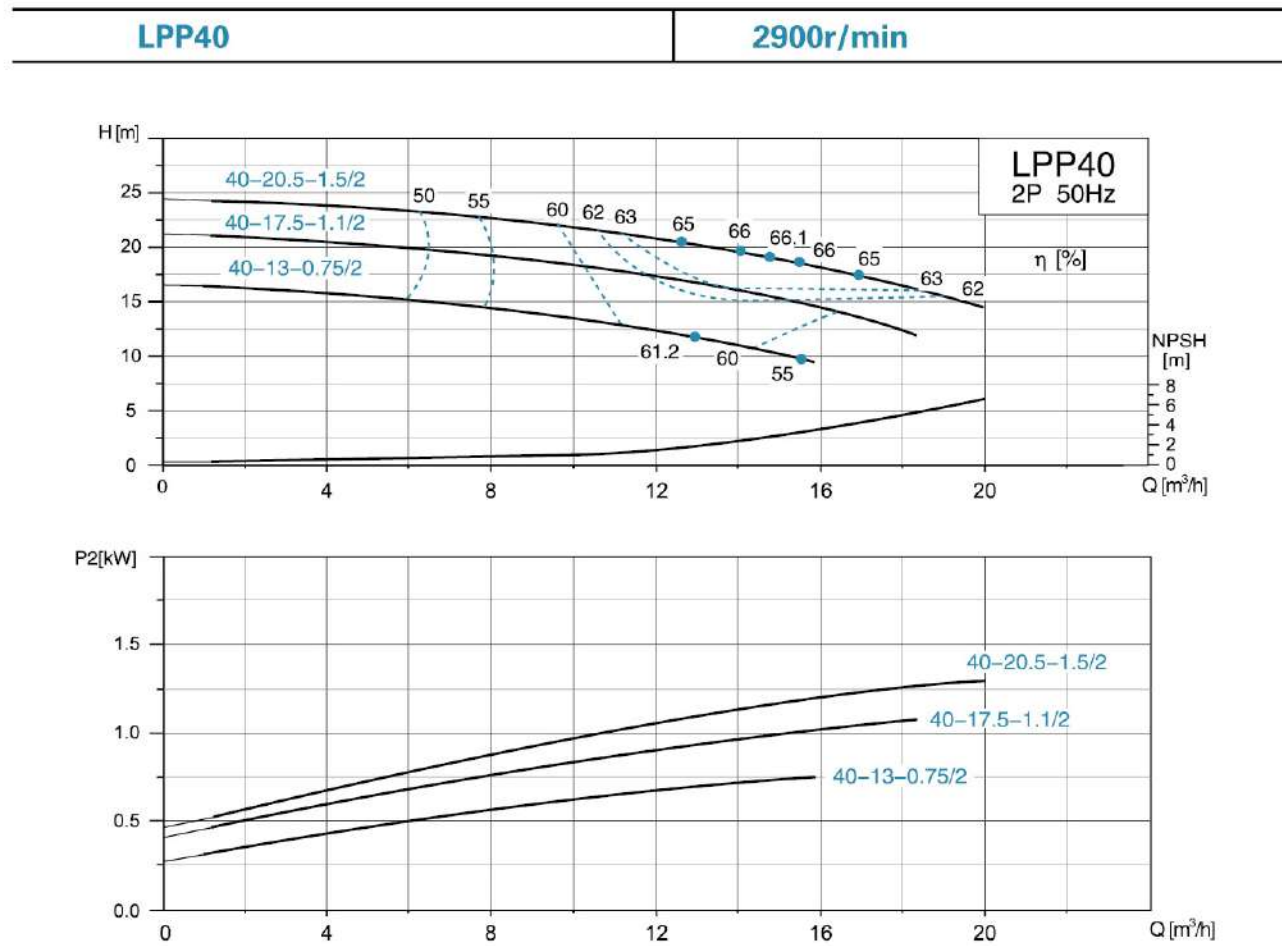


### Dimension Drawing

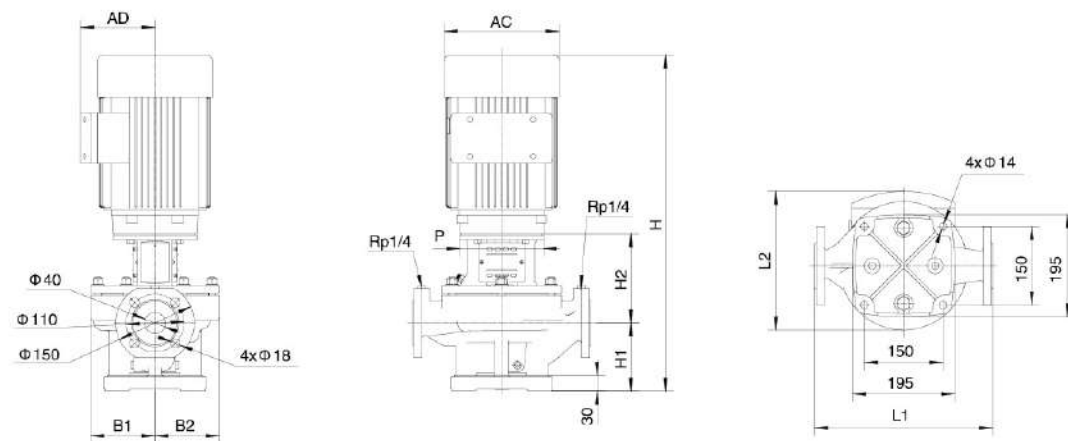


Model	L1 (mm)	L2 (mm)	H (mm)	H1 (mm)	H2 (mm)	B1 (mm)	B2 (mm)	P (mm)	AD (mm)	AC (mm)
LPP32-50-5.5/2	440	273.5	648	100	151	131	131	200	142.5	210
LPP32-40-4/2	440	262	606	100	166	131	131	160	119.5	186

### Hydraulic Performance Curves

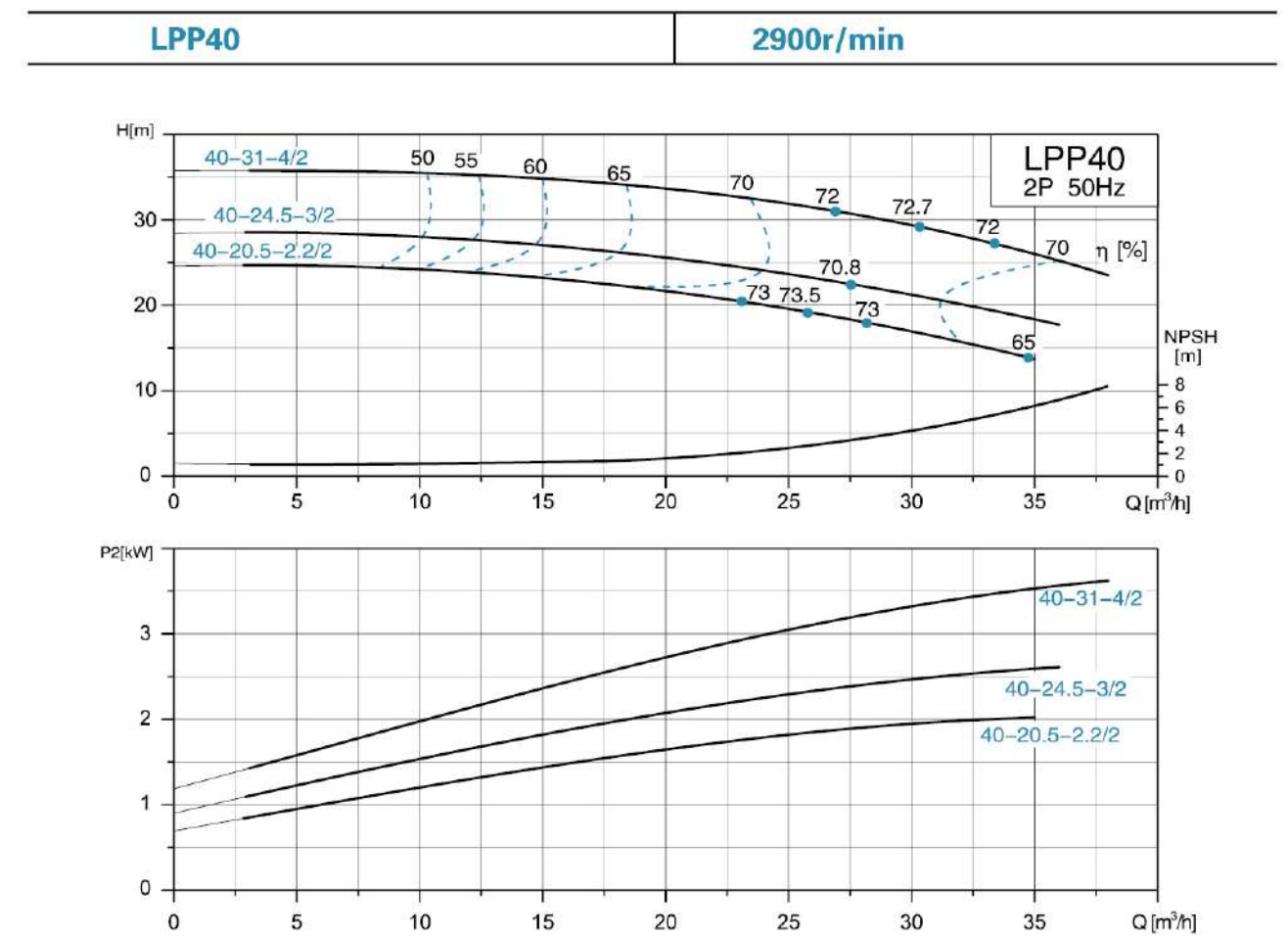


### Dimension Drawing

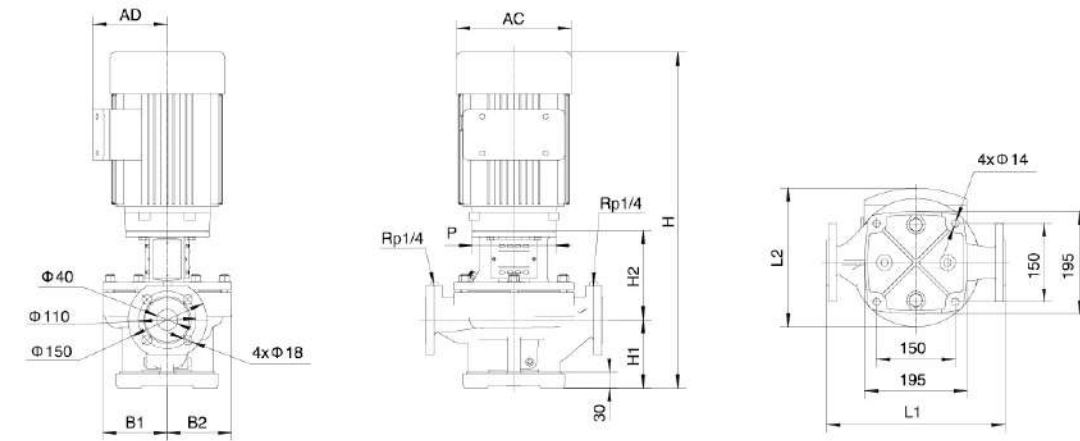


Model	L1 (mm)	L2 (mm)	H (mm)	H1 (mm)	H2 (mm)	B1 (mm)	B2 (mm)	P (mm)	AD (mm)	AC (mm)
LPP40-20.5-1.5/2	340	250.5	610.5	130	161	123	123	140	127.5	164
LPP40-17.5-1.1/2	340	247.5	561.5	130	161	123	123	120	124.5	150
LPP40-13-0.75/2	340	247.5	561.5	130	161	123	123	120	124.5	150

### Hydraulic Performance Curves



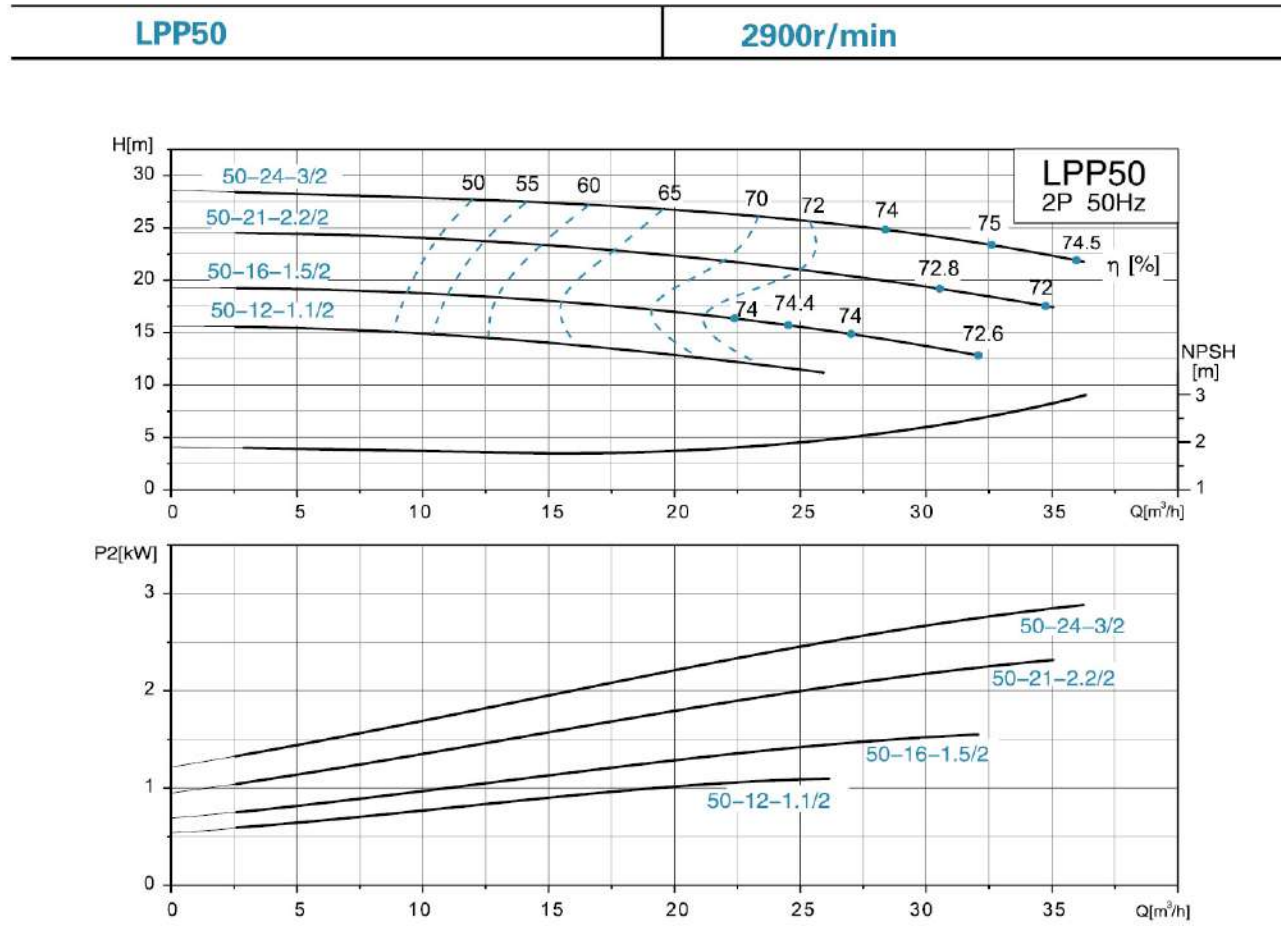
### Dimension Drawing



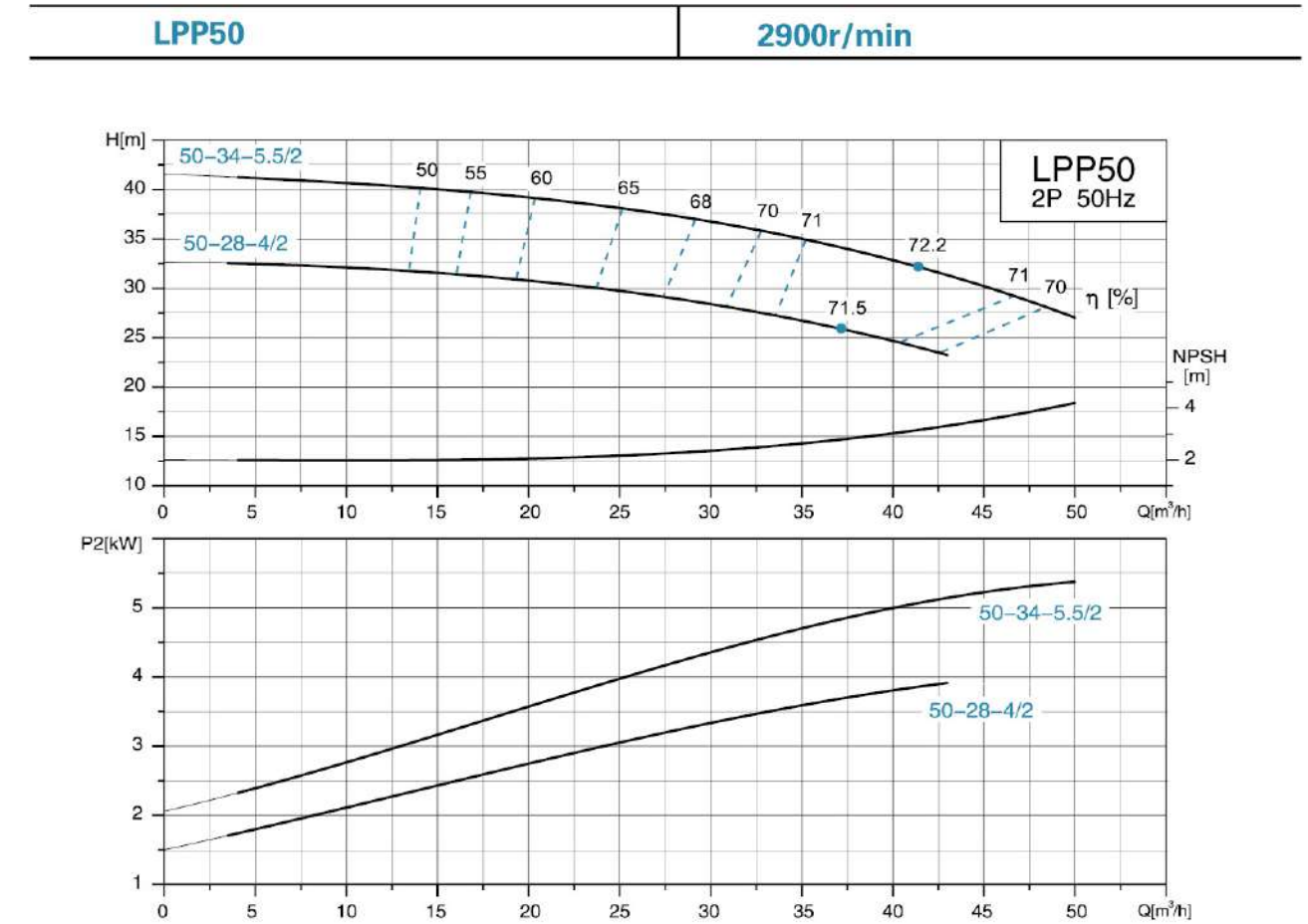
Model	L1 (mm)	L2 (mm)	H (mm)	H1 (mm)	H2 (mm)	B1 (mm)	B2 (mm)	P (mm)	AD (mm)	AC (mm)
LPP40-31-4/2	340	246	642.5	130	170	123	123	160	119.5	186
LPP40-24.5-3/2	340	246	642.5	130	170	123	123	160	119.5	186
LPP40-20.5-2.2/2	340	247.5	619.5	130	170	123	123	140	127.5	164



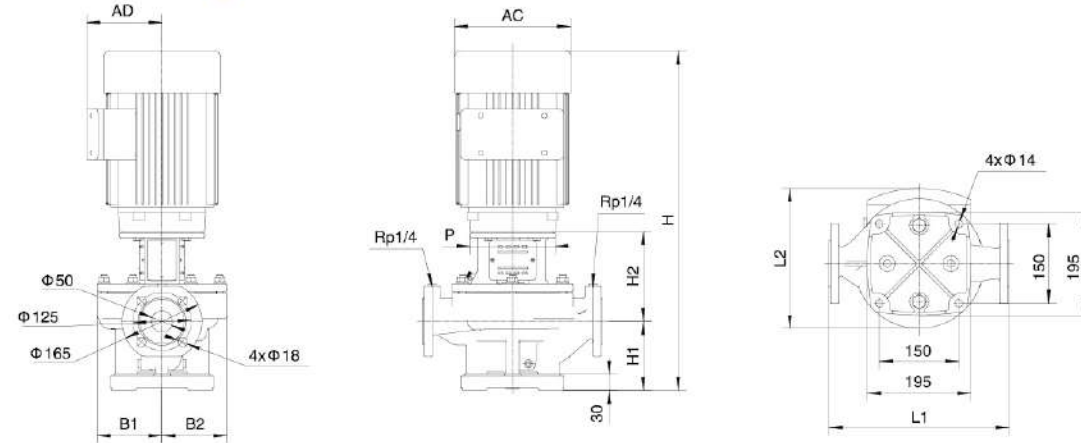
### Hydraulic Performance Curves



### Hydraulic Performance Curves

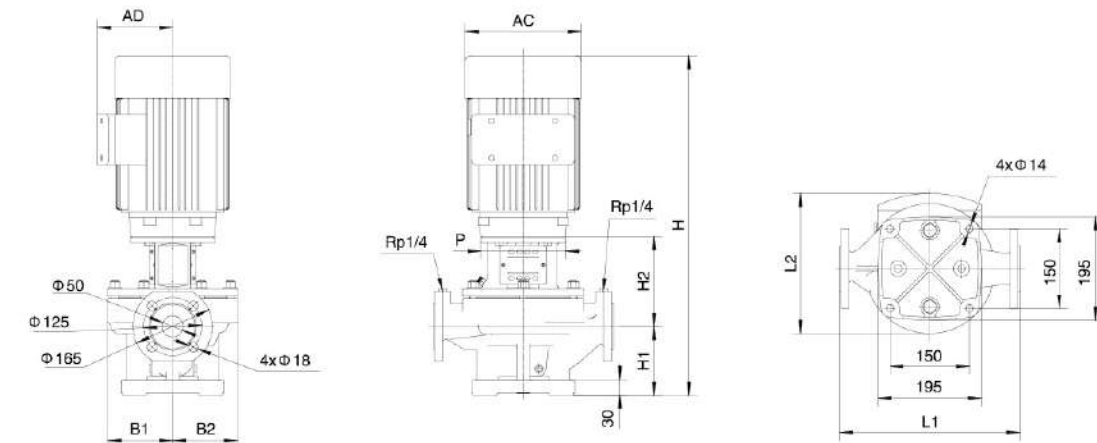


### Dimension Drawing



Model	L1 (mm)	L2 (mm)	H (mm)	H1 (mm)	H2 (mm)	B1 (mm)	B2 (mm)	P (mm)	AD (mm)	AC (mm)
LPP50-24-3/2	340	246	665.5	145	178	123	123	160	119.5	186
LPP50-21-2.2/2	340	250.5	642.5	145	178	123	123	140	127.5	164
LPP50-16-1.5/2	340	250.5	642.5	145	178	123	123	140	127.5	164
LPP50-12-1.1/2	340	247.5	593.5	145	178	123	123	120	124.5	150

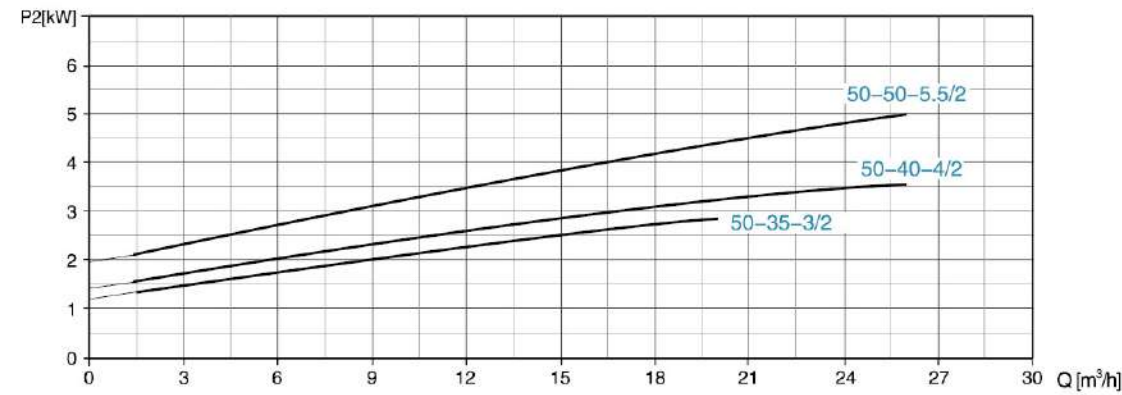
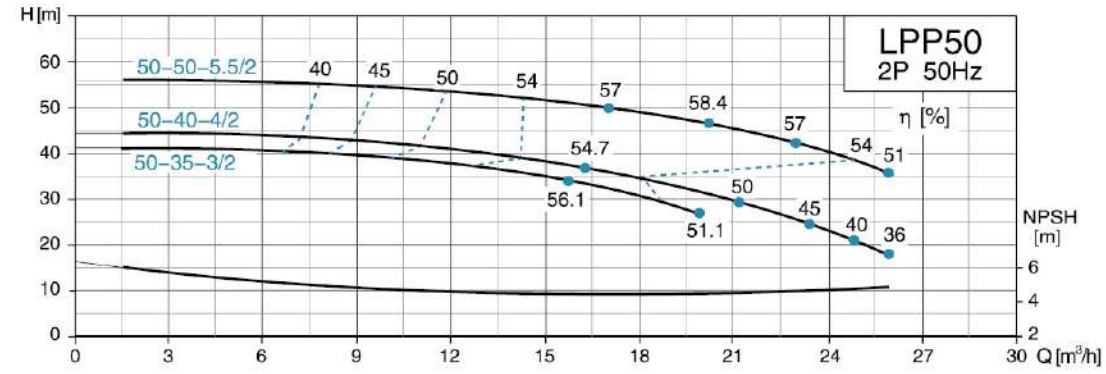
### Dimension Drawing



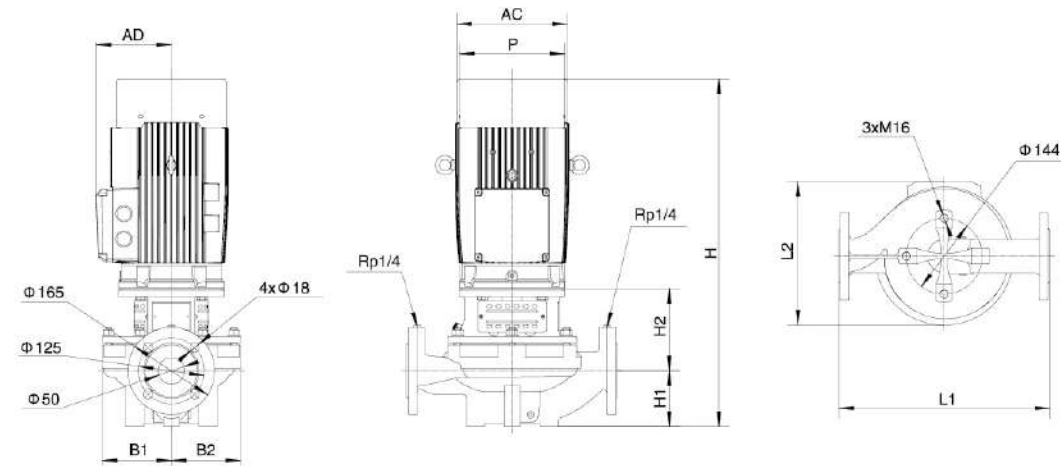
Model	L1 (mm)	L2 (mm)	H (mm)	H1 (mm)	H2 (mm)	B1 (mm)	B2 (mm)	P (mm)	AD (mm)	AC (mm)
LPP50-34-5.5/2	340	265.5	716	145	172	129	123	200	142.5	210
LPP50-28-4/2	340	252	674.5	145	187	129	123	160	119.5	186

### Hydraulic Performance Curves

<b>LPP50</b>	<b>2900r/min</b>
--------------	------------------



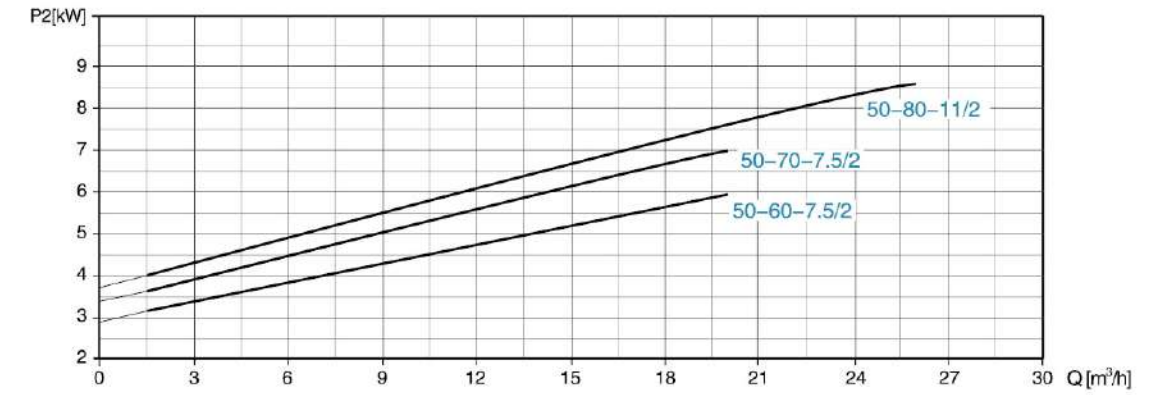
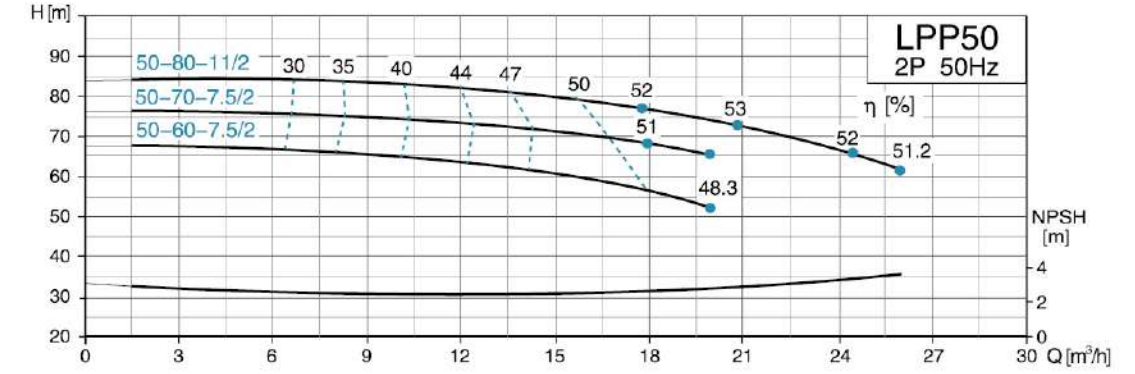
### Dimension Drawing



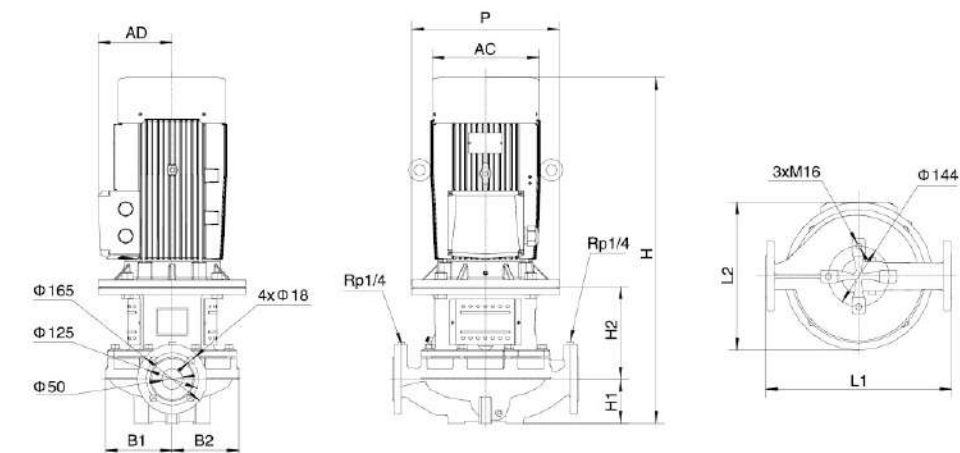
Model	L1 (mm)	L2 (mm)	H (mm)	H1 (mm)	H2 (mm)	B1 (mm)	B2 (mm)	P (mm)	AD (mm)	AC (mm)
LPP50-50-5.5/2	400	273.5	660	105	156	131	131	200	142.5	210
LPP50-40-4/2	400	262	618.5	105	171	131	131	160	119.5	186
LPP50-35-3/2	400	262	618.5	105	171	131	131	160	119.5	186

### Hydraulic Performance Curves

<b>LPP50</b>	<b>2900r/min</b>
--------------	------------------

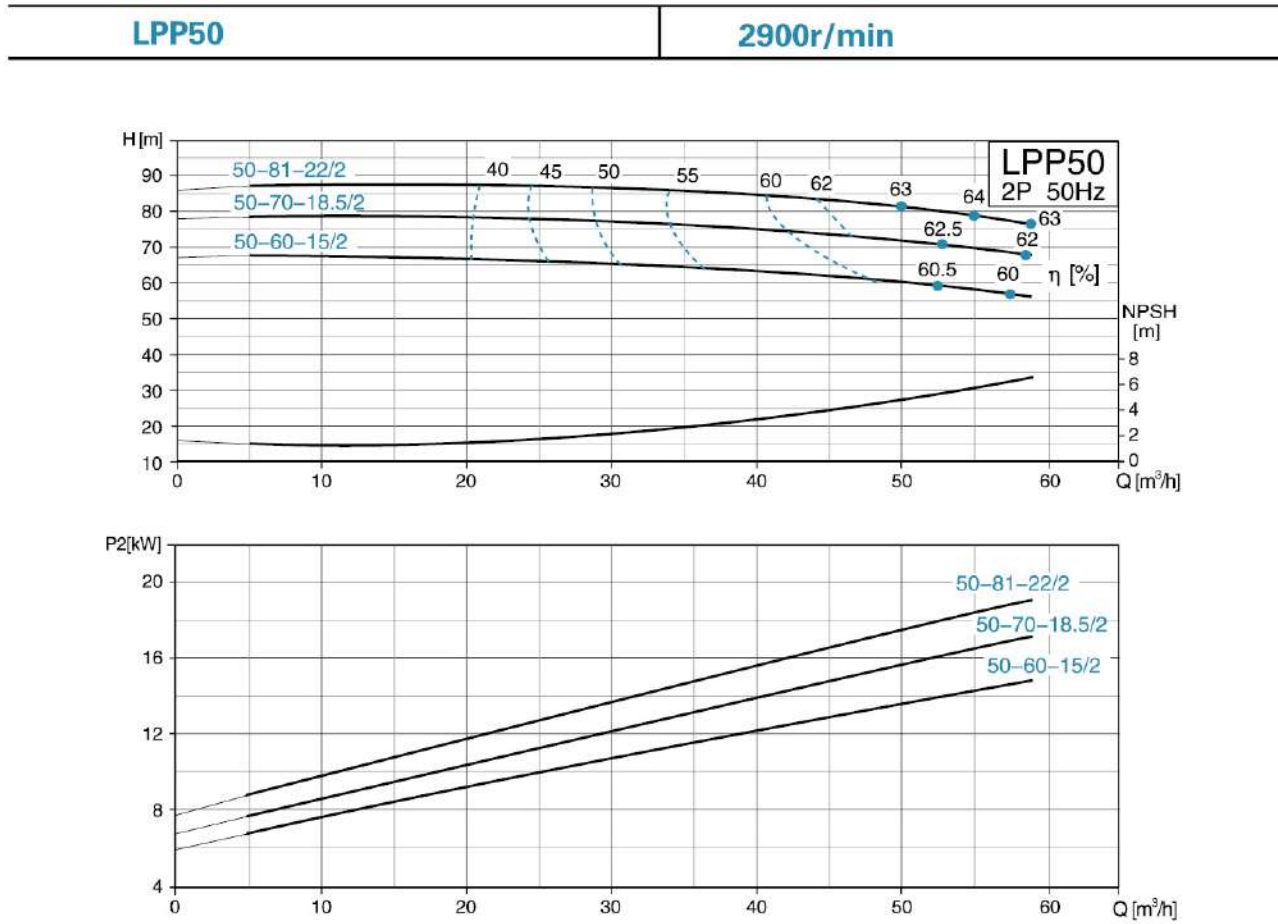


### Dimension Drawing

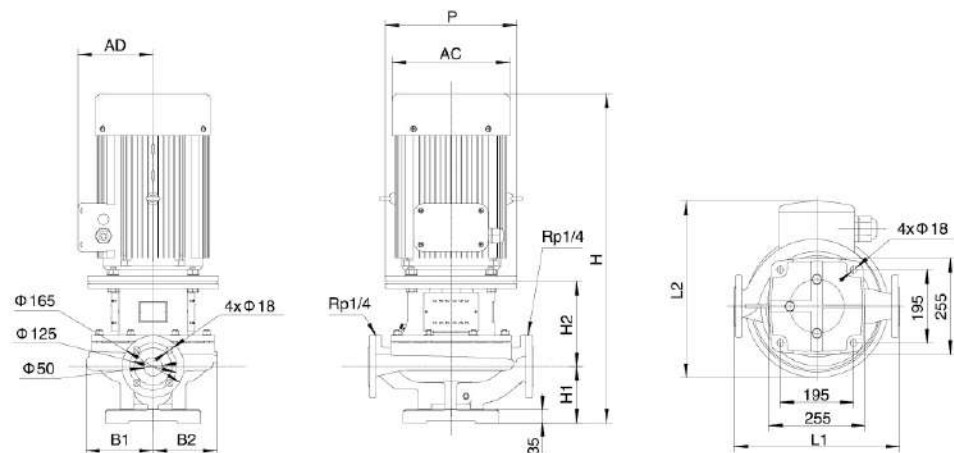


Model	L1 (mm)	L2 (mm)	H (mm)	H1 (mm)	H2 (mm)	B1 (mm)	B2 (mm)	P (mm)	AD (mm)	AC (mm)
LPP50-80-11/2	440	333	818.5	105	218.5	158	158	350	175	254
LPP50-70-7.5/2	440	316	682.5	105	178.5	158	158	300	142.5	210
LPP50-60-7.5/2	440	316	682.5	105	178.5	158	158	300	142.5	210

### Hydraulic Performance Curves

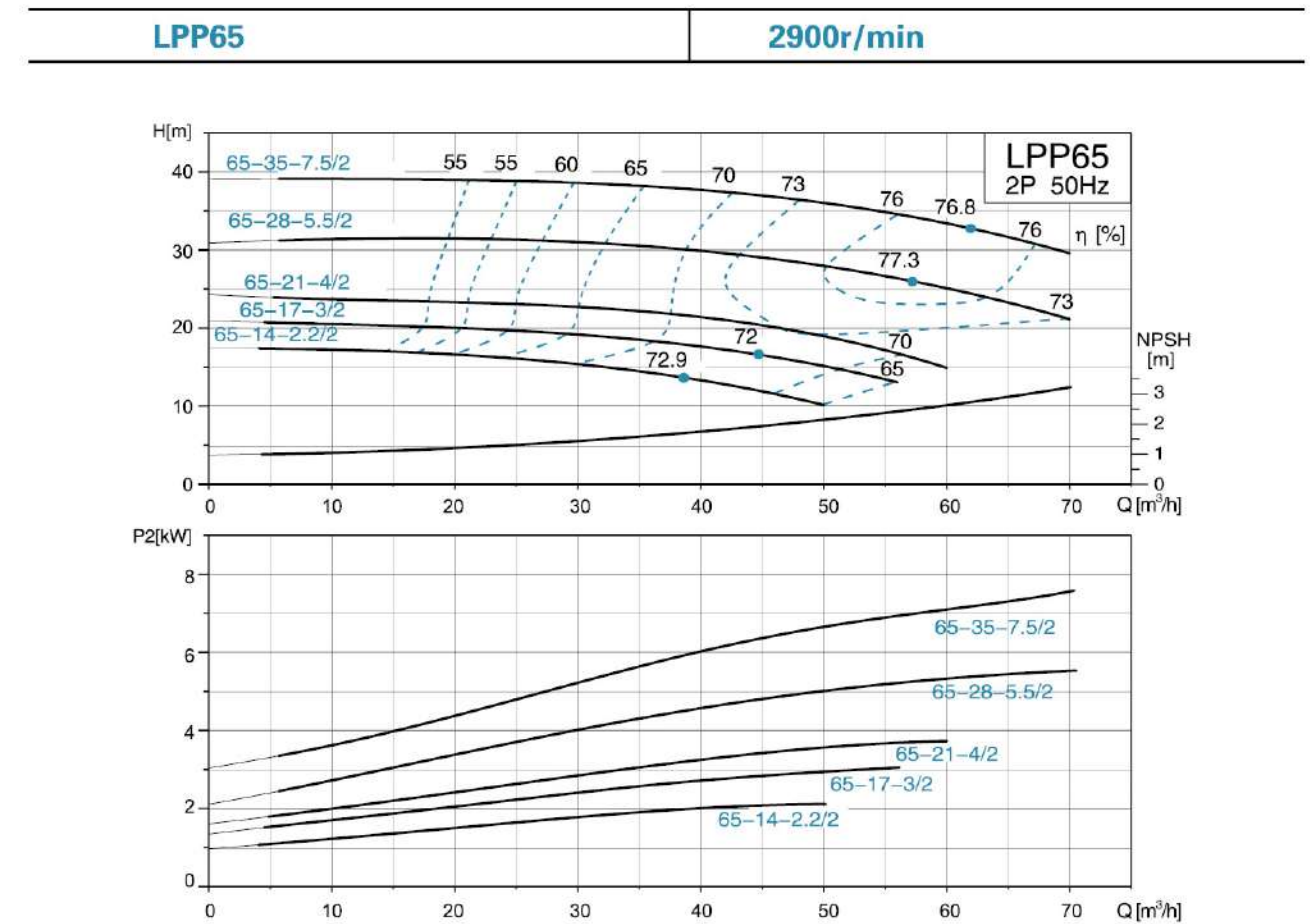


### Dimension Drawing

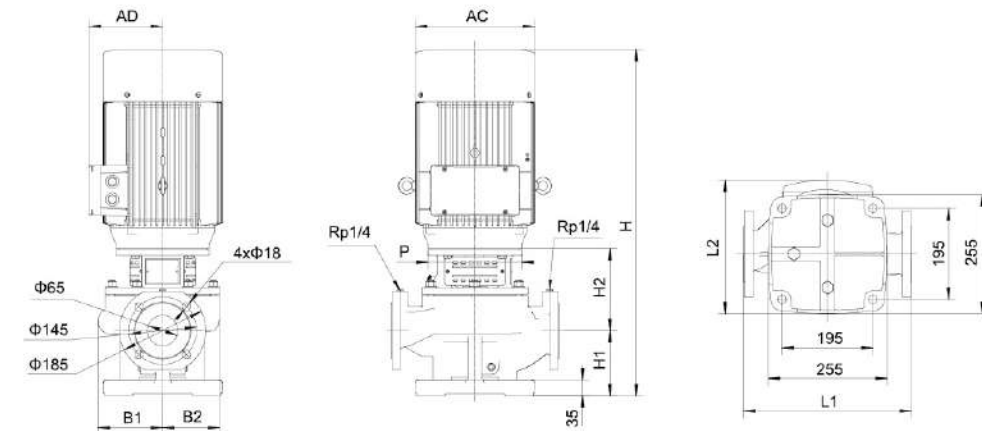


Model	L1 (mm)	L2 (mm)	H (mm)	H1 (mm)	H2 (mm)	B1 (mm)	B2 (mm)	P (mm)	AD (mm)	AC (mm)
LPP50-81-22/2	440	470	1007	150	227	179	170	350	280	380
LPP50-70-18.5/2	440	420	967	150	227	179	170	350	250	330
LPP50-60-15/2	440	354	872	150	227	179	170	350	175	254

### Hydraulic Performance Curves

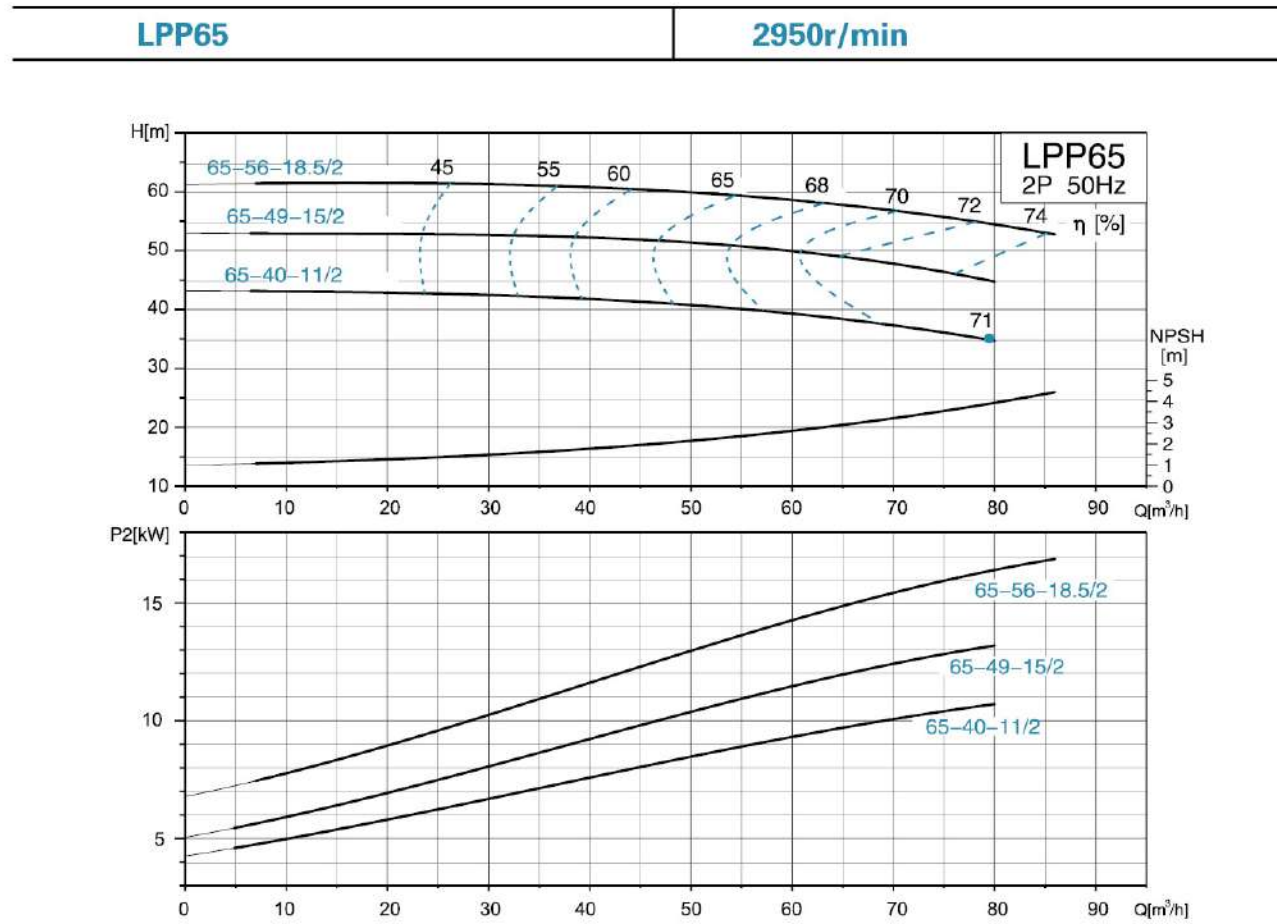


### Dimension Drawing

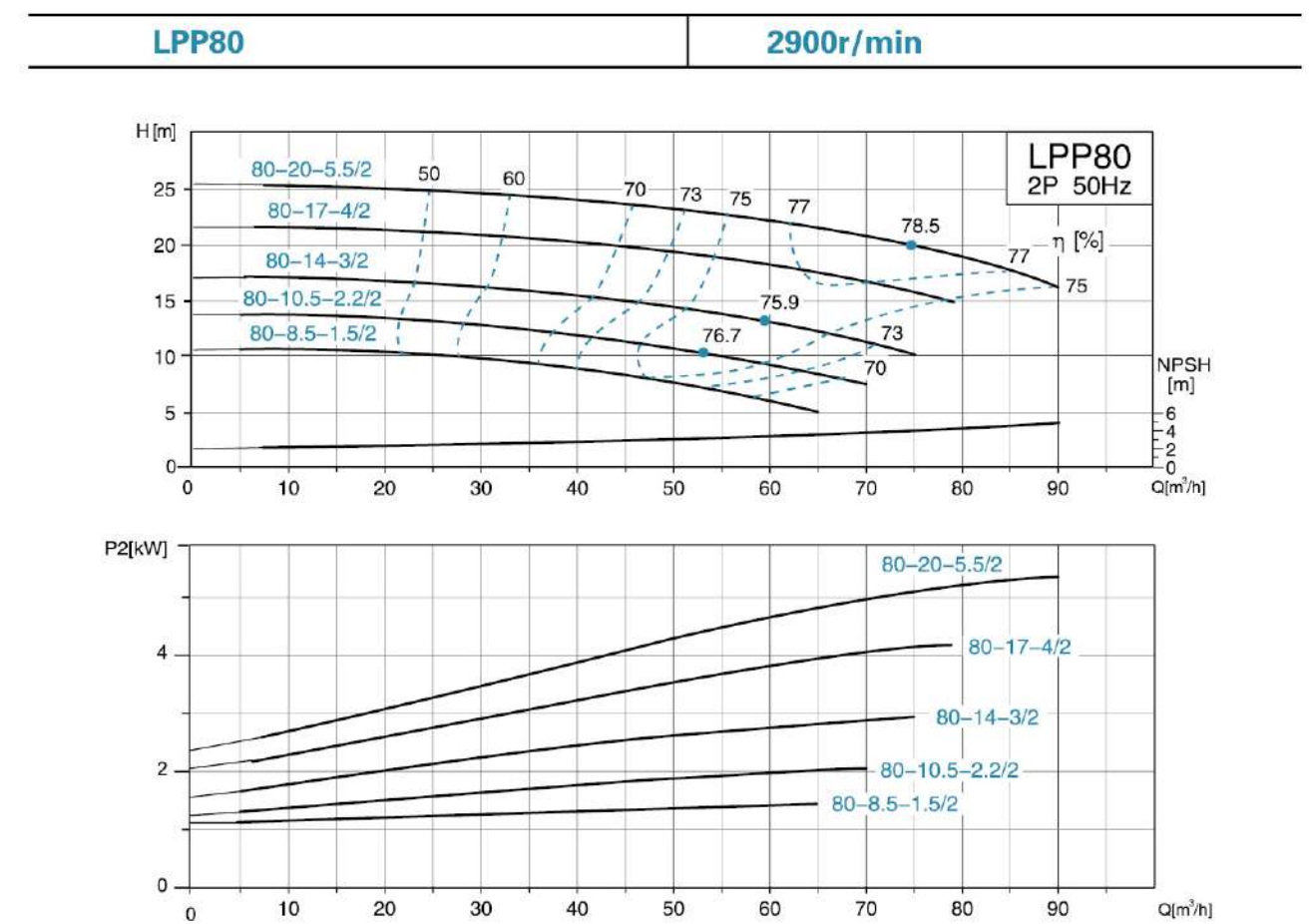


Model	L1 (mm)	L2 (mm)	H (mm)	H1 (mm)	H2 (mm)	B1 (mm)	B2 (mm)	P (mm)	AD (mm)	AC (mm)
LPP65-35-7.5/2	360	265.5	715	140	176	138	123	200	142.5	210
LPP65-28-5.5/2	360	265.5	715	140	176	138	123	200	142.5	210
LPP65-21-4/2	360	261	673.5	140	191	138	123	160	119.5	186
LPP65-17-3/2	360	261	673.5	140	191	138	123	160	119.5	186
LPP65-14-2.2/2	360	261	650.5	140	191	138	123	140	127.5	164

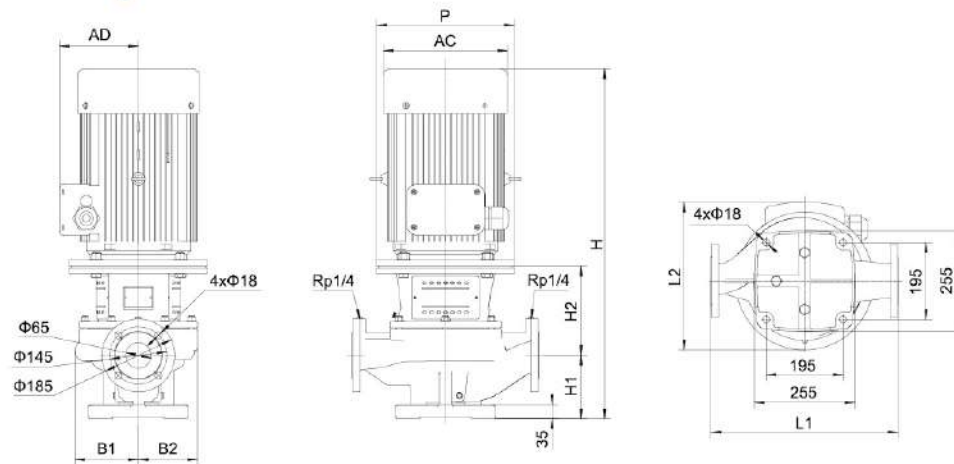
### Hydraulic Performance Curves



### Hydraulic Performance Curves

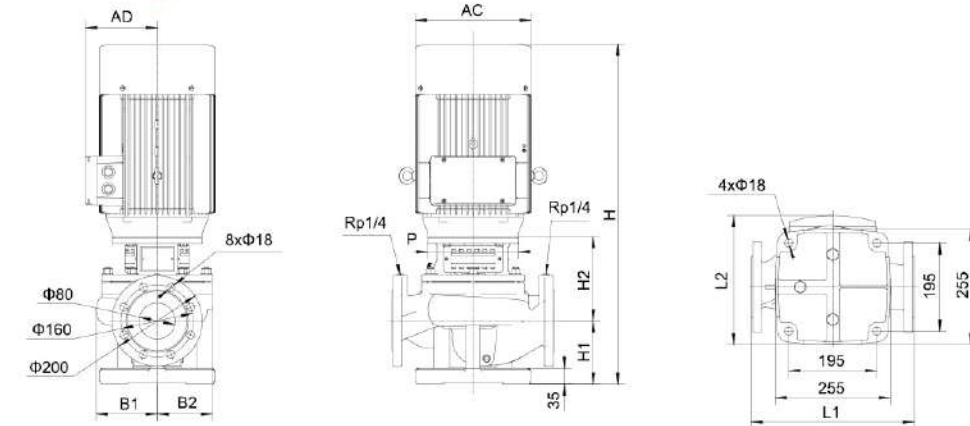


### Dimension Drawing



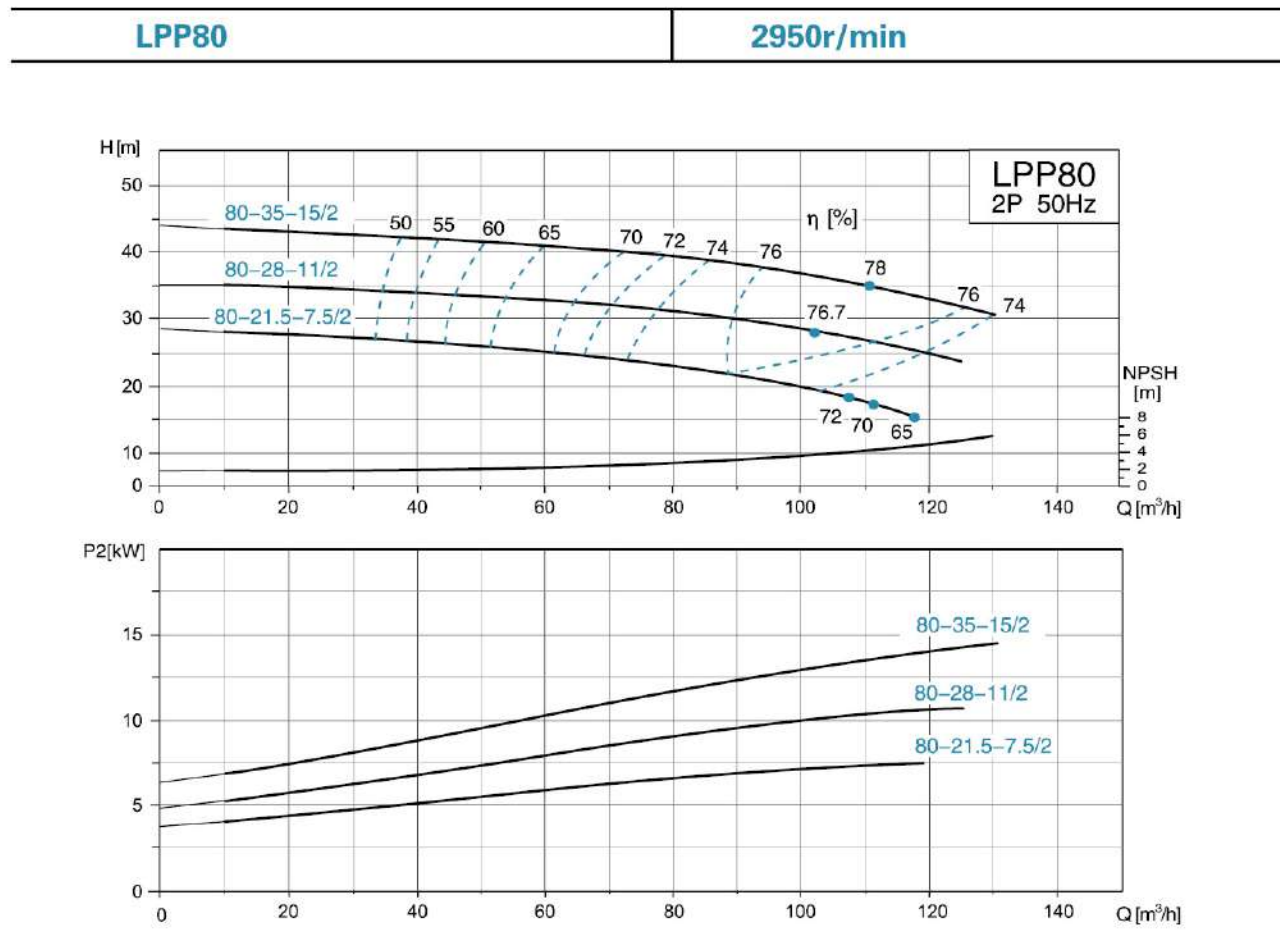
Model	L1 (mm)	L2 (mm)	H (mm)	H1 (mm)	H2 (mm)	B1 (mm)	B2 (mm)	P (mm)	AD (mm)	AC (mm)
LPP65-56-18.5/2	475	415	946	160	226	161	145	350	250	330
LPP65-49-15/2	475	320	881	160	226	161	145	350	175	254
LPP65-40-11/2	475	320	881	160	226	161	145	350	175	254

### Dimension Drawing

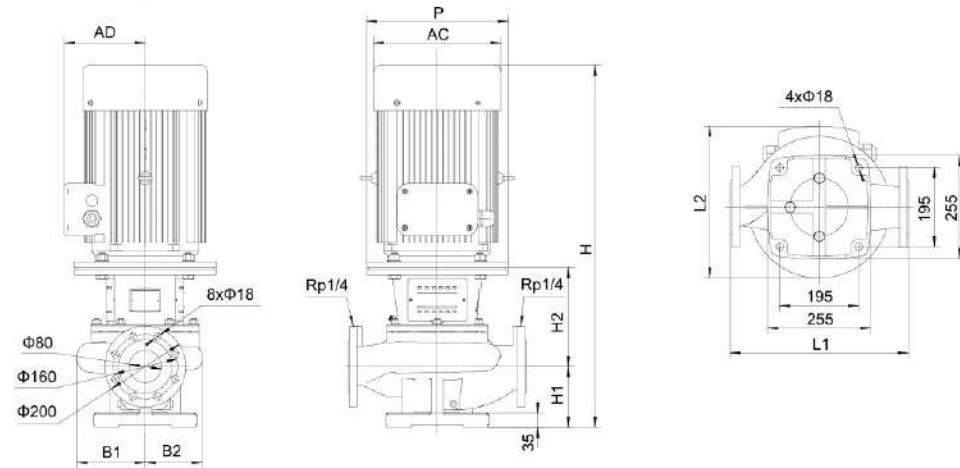


Model	L1 (mm)	L2 (mm)	H (mm)	H1 (mm)	H2 (mm)	B1 (mm)	B2 (mm)	P (mm)	AD (mm)	AC (mm)
LPP80-20-5.5/2	360	266.5	725.5	140	186.5	135	124	200	142.5	210
LPP80-17-4/2	360	259	684.5	140	202	135	124	160	119.5	186
LPP80-14-3/2	360	259	684.5	140	202	135	124	160	119.5	186
LPP80-10.5-2.2/2	360	259	661.5	140	202	135	124	140	127.5	164
LPP80-8.5-1.5/2	360	259	661.5	140	202	135	124	140	127.5	164

### Hydraulic Performance Curves

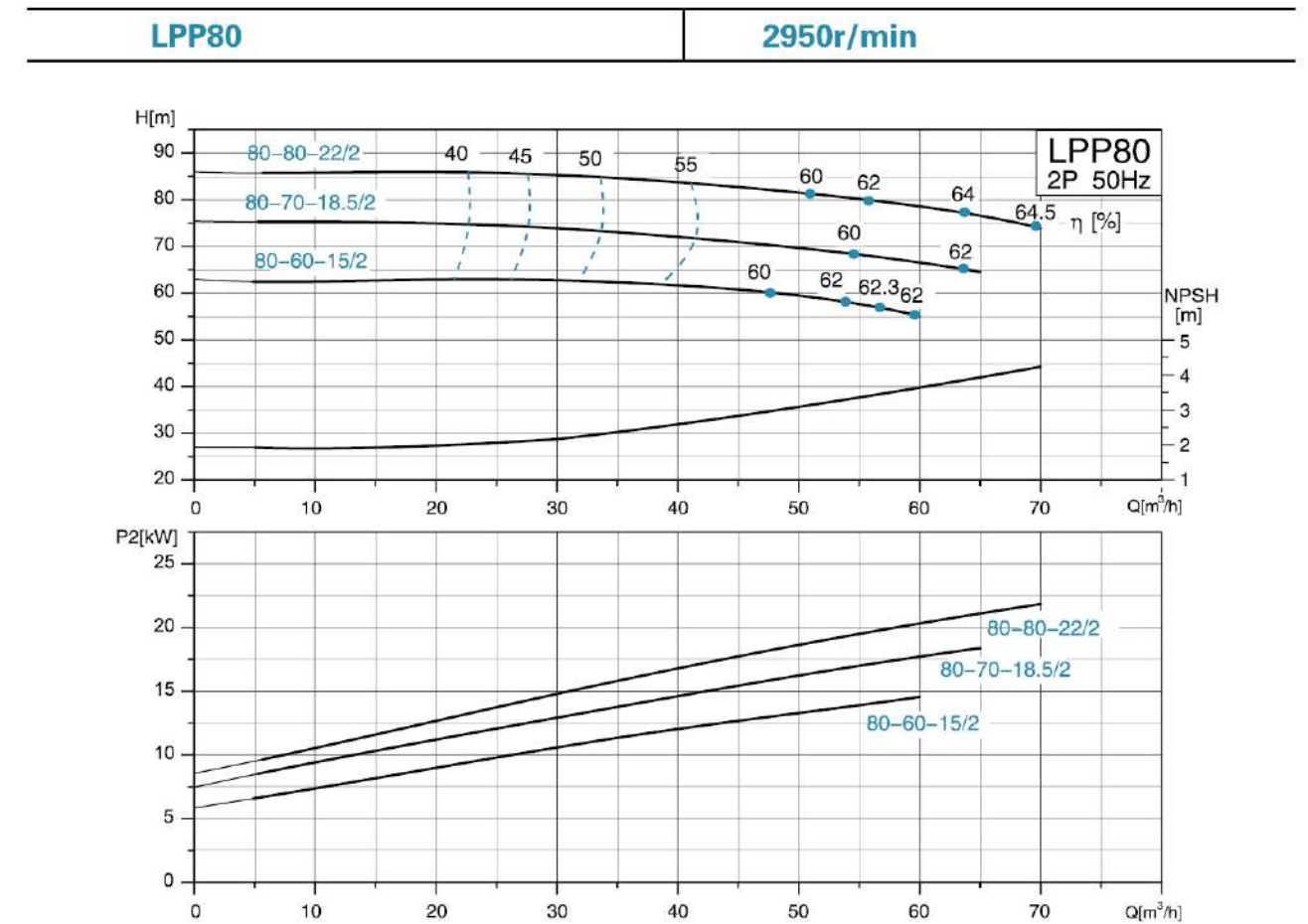


### Dimension Drawing

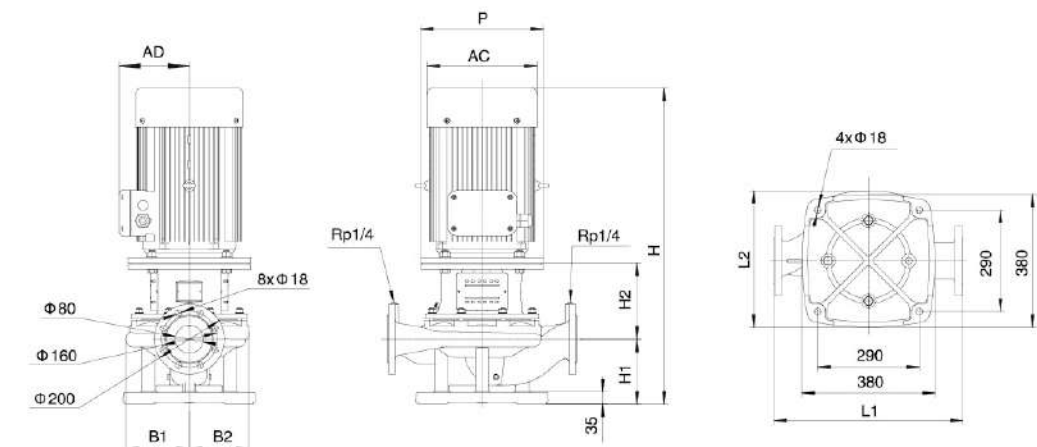


Model	L1 (mm)	L2 (mm)	H (mm)	H1 (mm)	H2 (mm)	B1 (mm)	B2 (mm)	P (mm)	AD (mm)	AC (mm)
LPP80-35-15/2	440	317	889	150	244	169	142	350	175	254
LPP80-28-11/2	440	317	889	150	244	169	142	350	175	254
LPP80-21.5-7.5/2	440	311	763	150	214	169	142	300	142.5	210

### Hydraulic Performance Curves



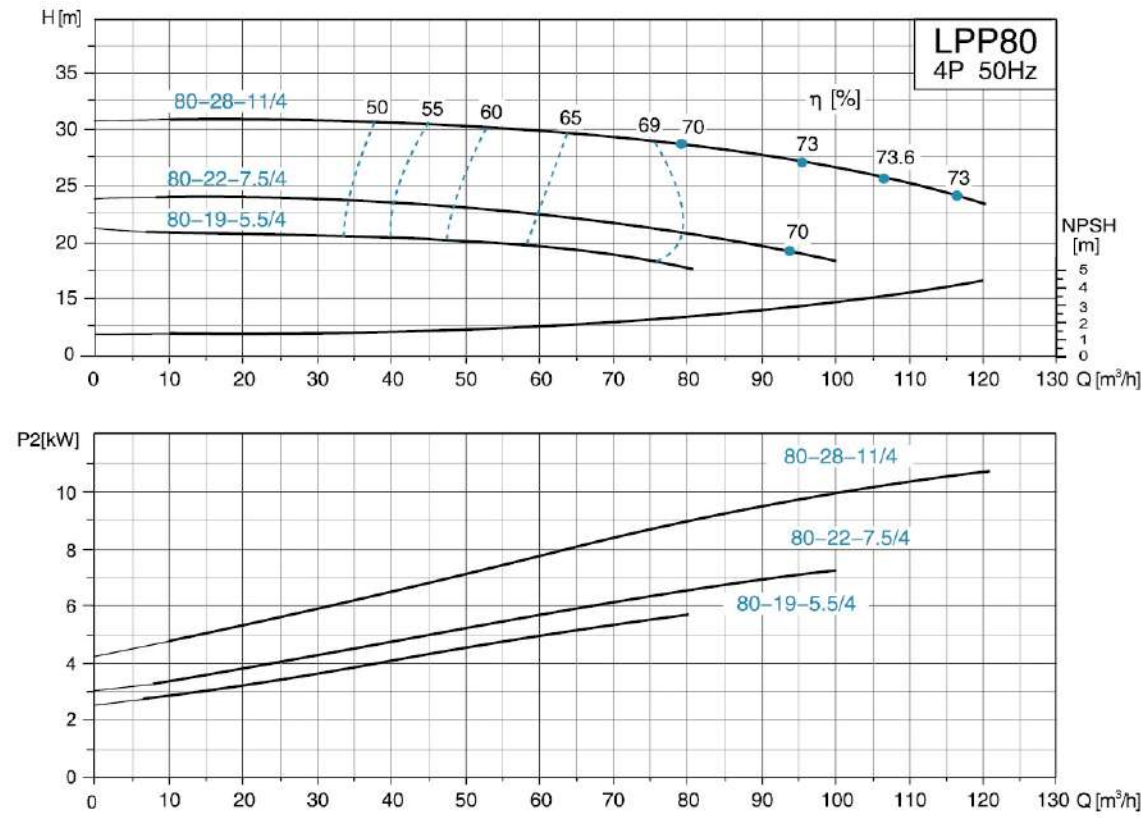
### Dimension Drawing



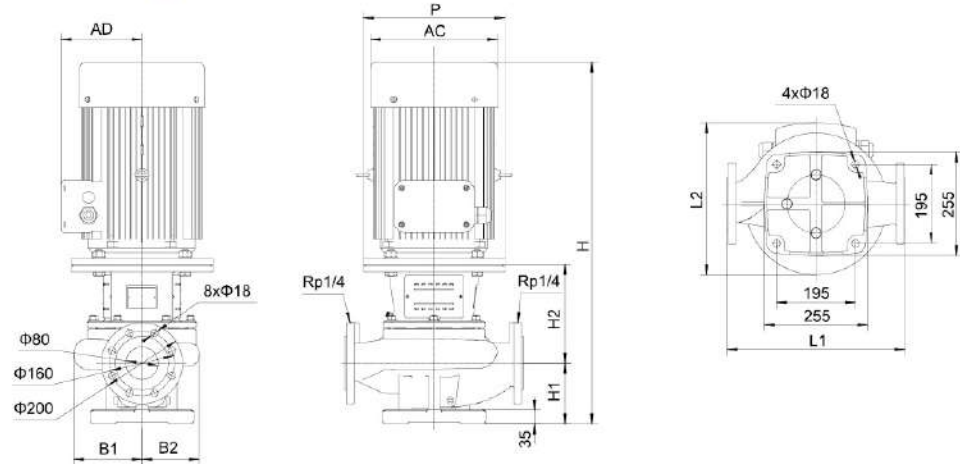
Model	L1 (mm)	L2 (mm)	H (mm)	H1 (mm)	H2 (mm)	B1 (mm)	B2 (mm)	P (mm)	AD (mm)	AC (mm)
LPP80-80-22/2	540	470	1002	185	217	181	170	350	280	380
LPP80-70-18.5/2	540	420	962	185	217	181	170	350	250	330
LPP80-60-15/2	540	351	897	185	217	181	170	350	175	254

### Hydraulic Performance Curves

<b>LPP80</b>	<b>1480r/min</b>
--------------	------------------



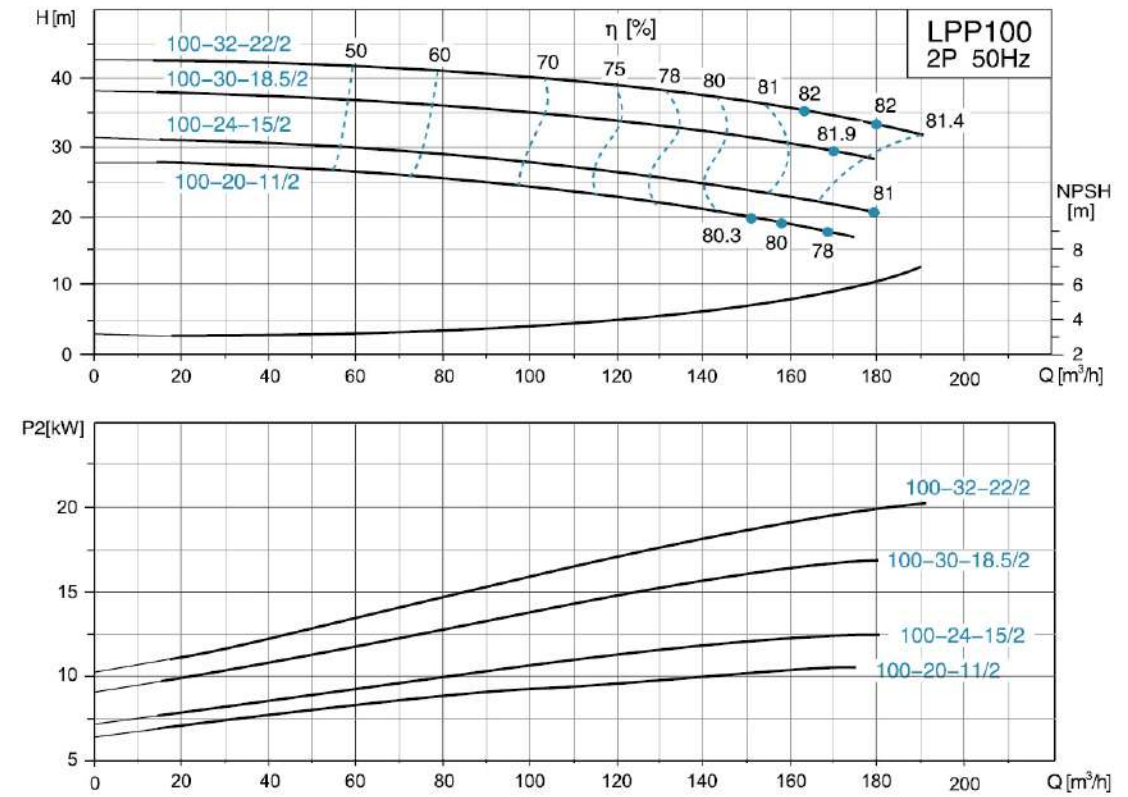
### Dimension Drawing



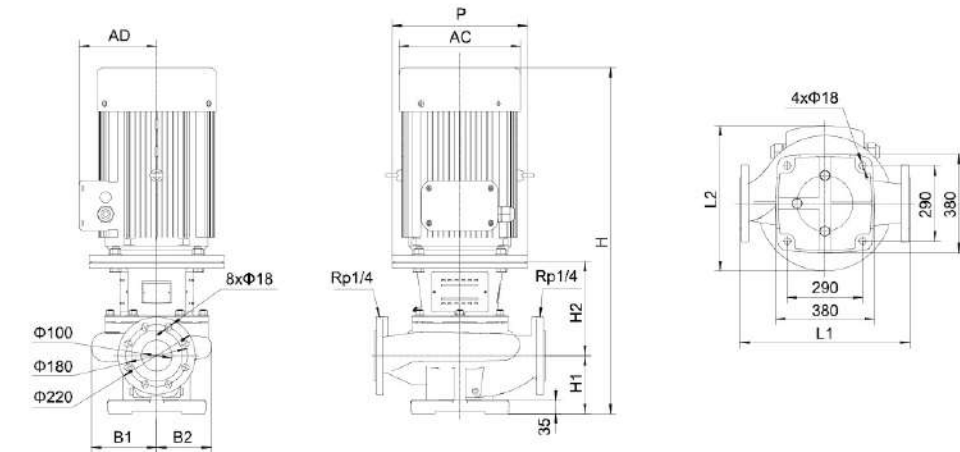
Model	L1 (mm)	L2 (mm)	H (mm)	H1 (mm)	H2 (mm)	B1 (mm)	B2 (mm)	P (mm)	AD (mm)	AC (mm)
LPP80-28-11/4	620	442	947	175	262	224	218	350	250	330
LPP80-22-7.5/4	620	442	902	175	232	224	218	300	175	254
LPP80-19-5.5/4	620	442	806	175	232	224	218	300	142.5	210

### Hydraulic Performance Curves

<b>LPP100</b>	<b>2950r/min</b>
---------------	------------------

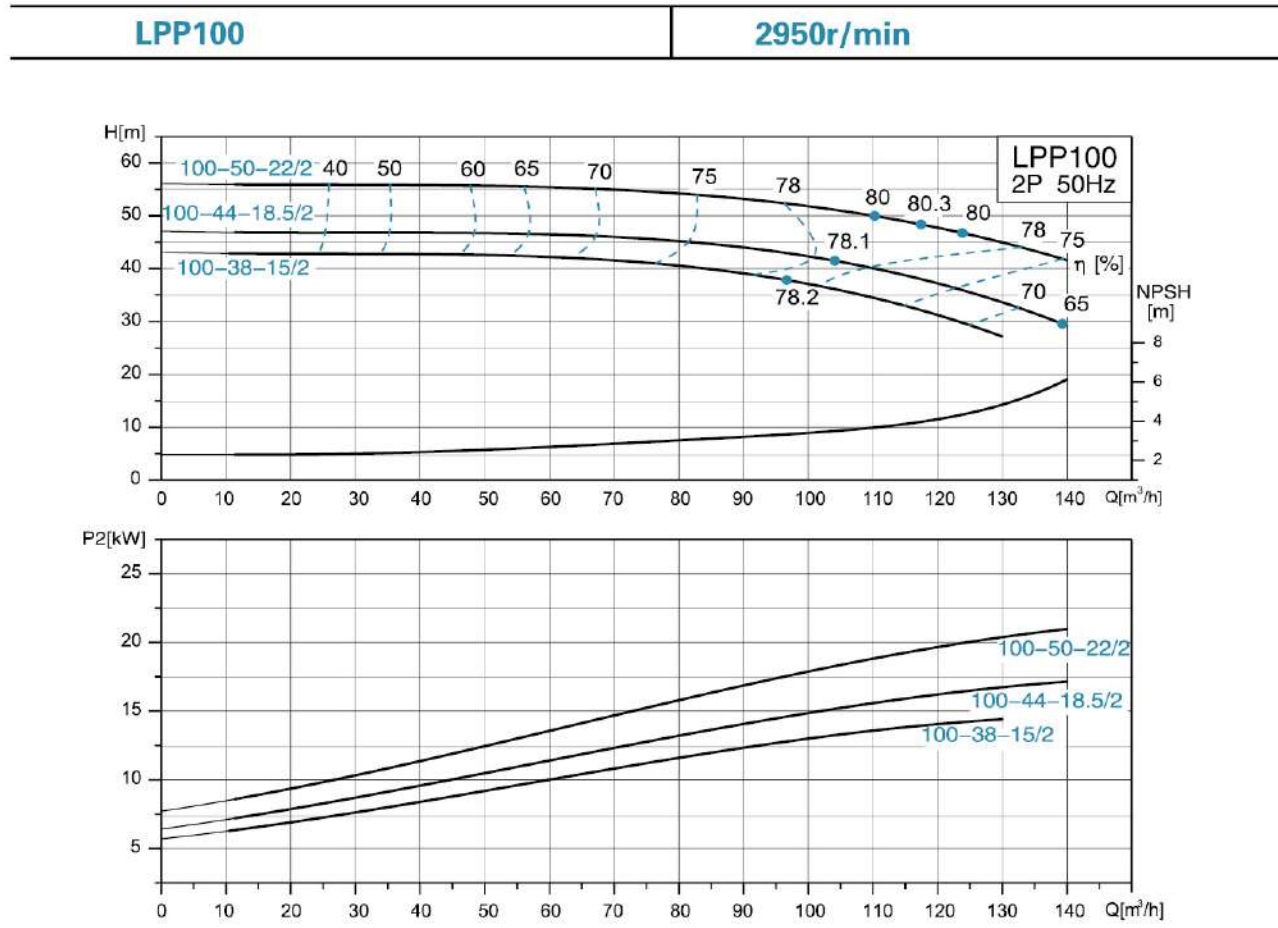


### Dimension Drawing

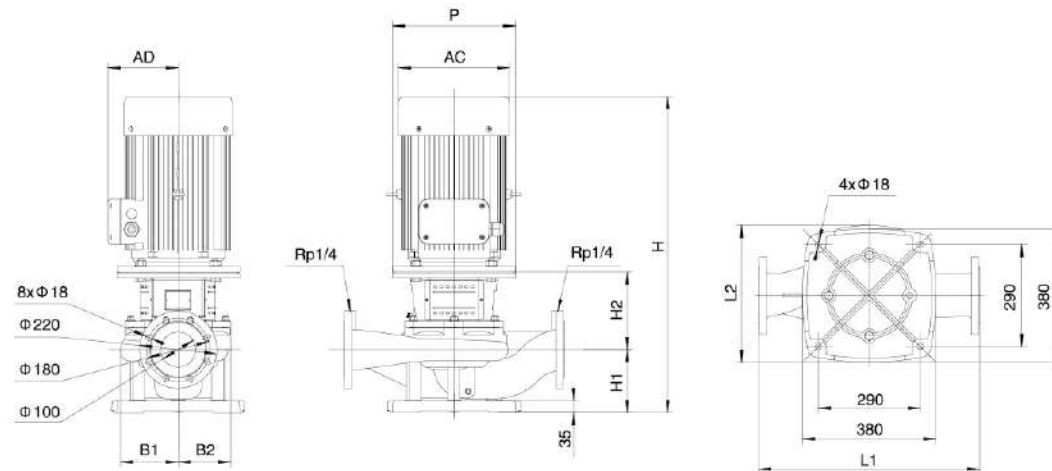


Model	L1 (mm)	L2 (mm)	H (mm)	H1 (mm)	H2 (mm)	B1 (mm)	B2 (mm)	P (mm)	AD (mm)	AC (mm)
LPP100-32-22/2	500	470	1043	175	272	183	144	350	280	380
LPP100-30-18.5/2	500	415	1007	175	272	183	144	350	250	330
LPP100-24-15/2	500	327	942	175	272	183	144	350	175	254
LPP100-20-11/2	500	327	942	175	272	183	144	350	175	254

### Hydraulic Performance Curves

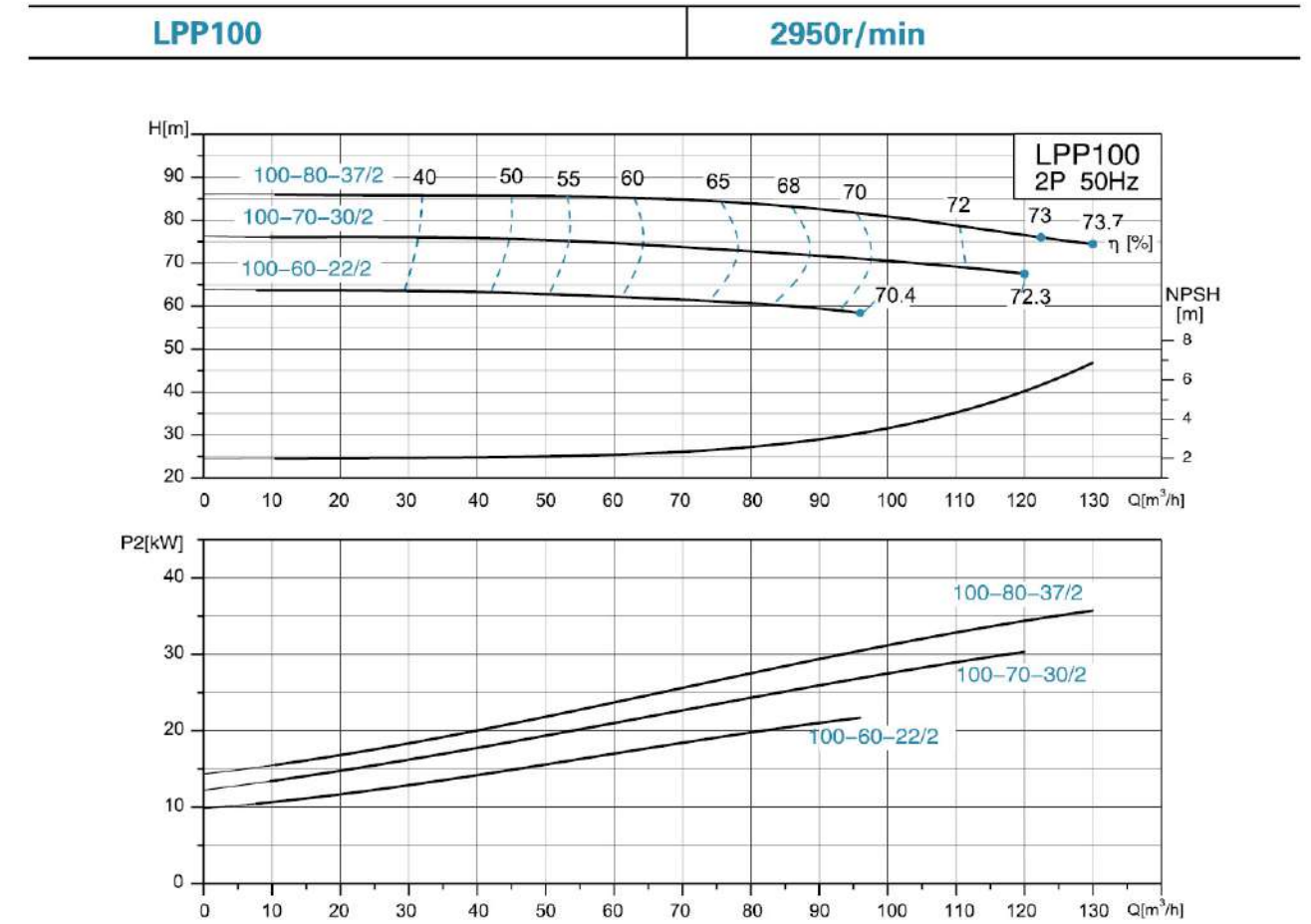


### Dimension Drawing

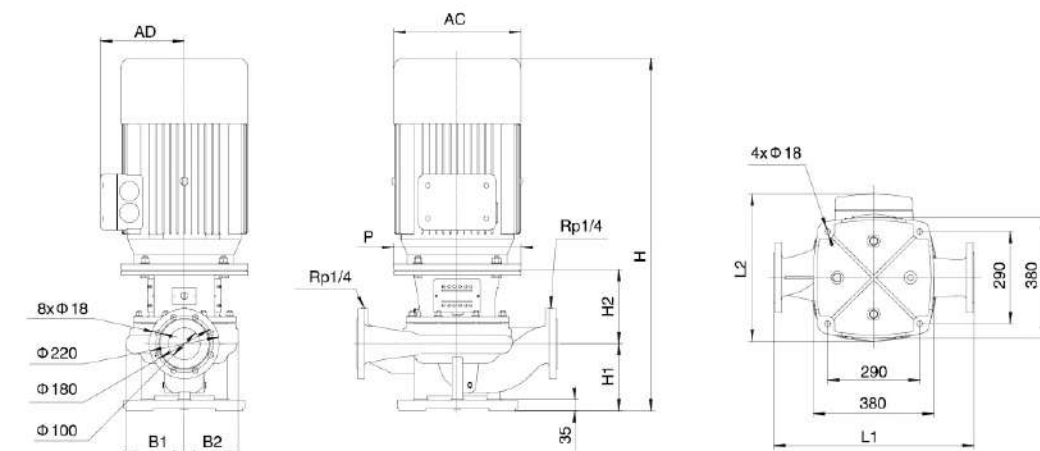


Model	L1 (mm)	L2 (mm)	H (mm)	H1 (mm)	H2 (mm)	B1 (mm)	B2 (mm)	P (mm)	AD (mm)	AC (mm)
LPP100-50-22/2	630	470	1001	180	221	165	150	350	280	380
LPP100-44-18.5/2	630	415	961	180	221	165	150	350	250	330
LPP100-38-15/2	630	325	896	180	221	165	150	350	175	254

### Hydraulic Performance Curves



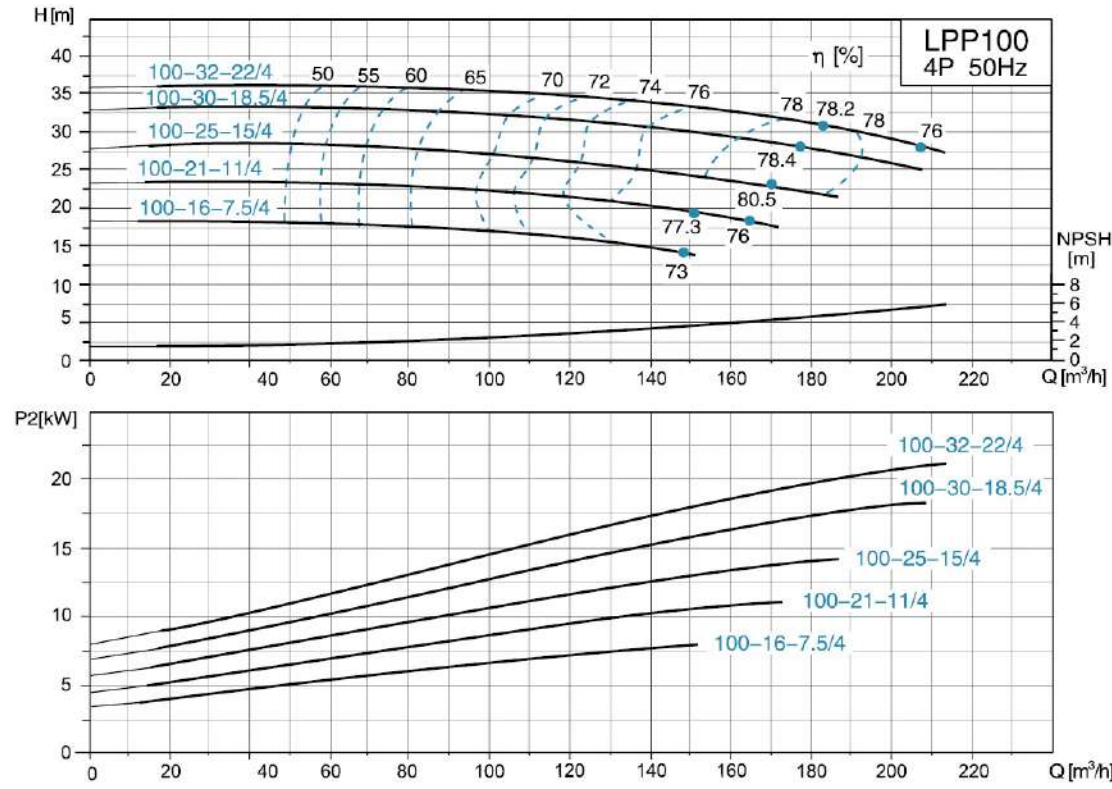
### Dimension Drawing



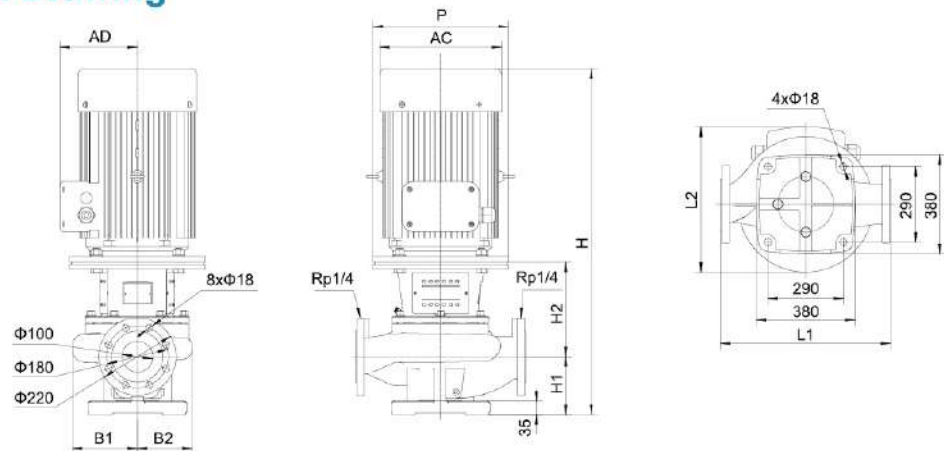
Model	L1 (mm)	L2 (mm)	H (mm)	H1 (mm)	H2 (mm)	B1 (mm)	B2 (mm)	P (mm)	AD (mm)	AC (mm)
LPP100-80-37/2	630	515	1124	210	234	184	170	400	305	420
LPP100-70-30/2	630	515	1124	210	234	184	170	400	305	420
LPP100-60-22/2	630	470	1037	210	227	184	170	350	280	380

### Hydraulic Performance Curves

<b>LPP100</b>	<b>1480r/min</b>
---------------	------------------



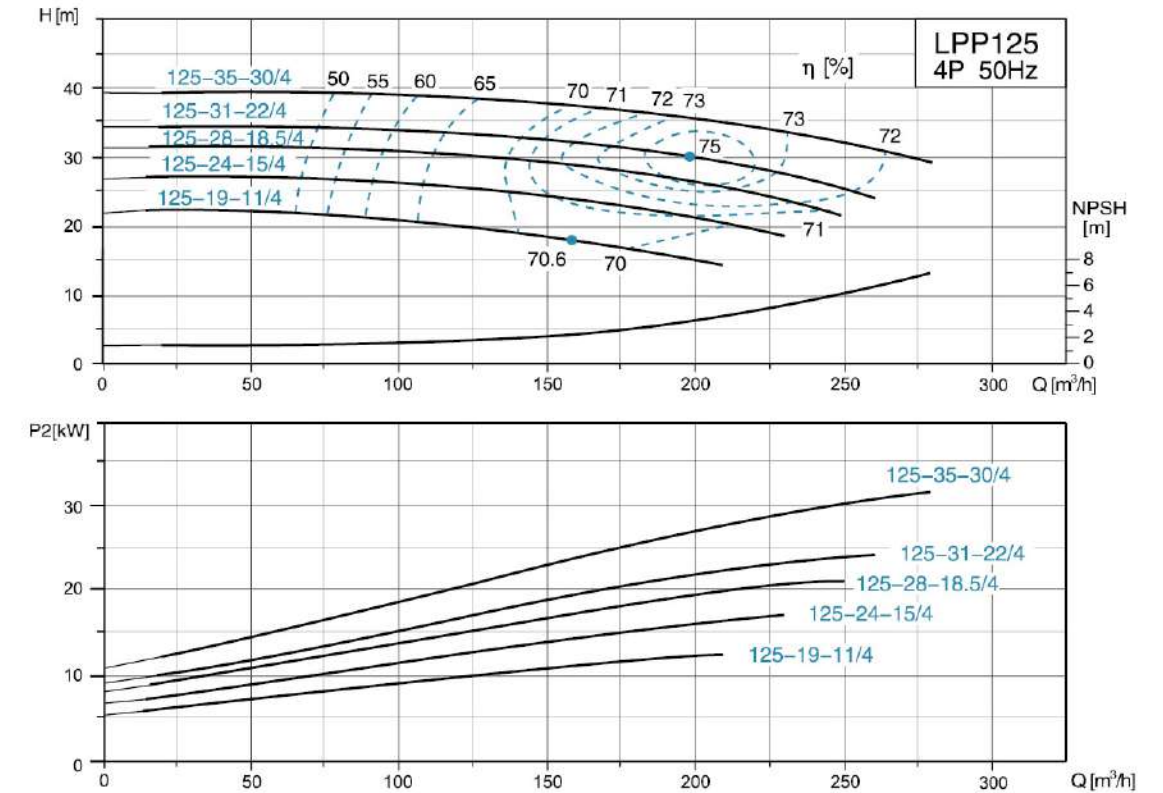
### Dimension Drawing



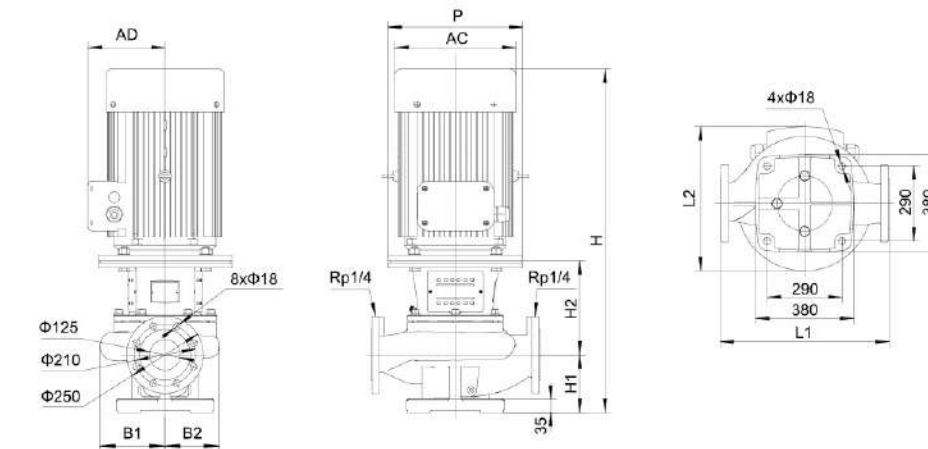
Model	L1 (mm)	L2 (mm)	H (mm)	H1 (mm)	H2 (mm)	B1 (mm)	B2 (mm)	P (mm)	AD (mm)	AC (mm)
LPP100-32-22/4	670	499	1122	210	277	253	219	350	280	380
LPP100-30-18.5/4	670	499	1077	210	277	253	219	350	280	380
LPP100-25-15/4	670	469	1047	210	277	253	219	350	250	330
LPP100-21-11/4	670	472	997	210	277	253	219	350	250	330
LPP100-16-7.5/4	670	472	952	210	247	253	219	300	175	254

### Hydraulic Performance Curves

<b>LPP125</b>	<b>1480r/min</b>
---------------	------------------



### Dimension Drawing

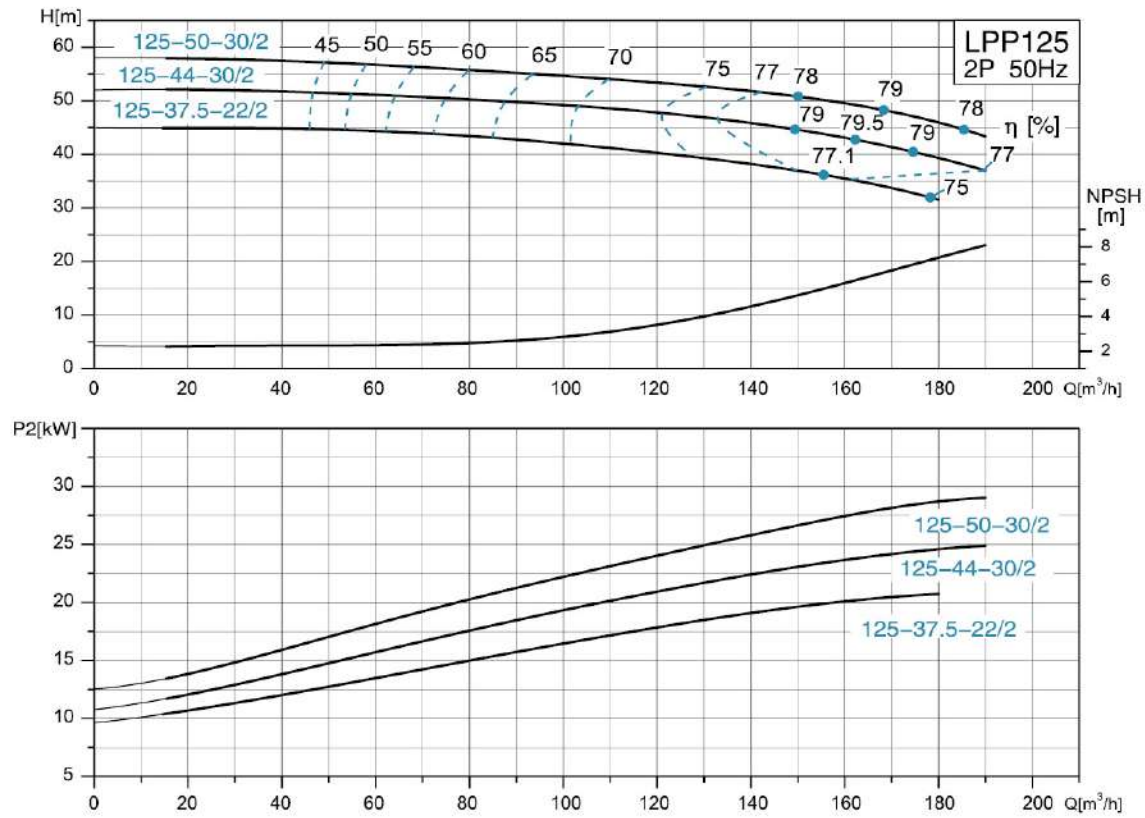


Model	L1 (mm)	L2 (mm)	H (mm)	H1 (mm)	H2 (mm)	B1 (mm)	B2 (mm)	P (mm)	AD (mm)	AC (mm)
LPP125-35-30/4	800	533	1190	250	280	265	228	400	305	420
LPP125-31-22/4	800	508	1160	250	275	265	228	350	280	380
LPP125-28-18.5/4	800	508	1115	250	275	265	228	350	280	380
LPP125-24-15/4	800	493	1085	250	275	265	228	350	250	330
LPP125-19-11/4	800	493	1035	250	275	265	228	350	250	330

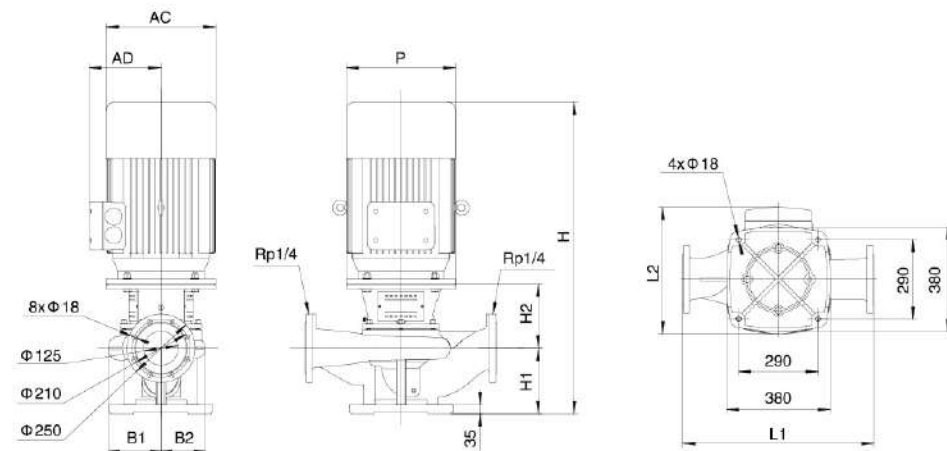


### Hydraulic Performance Curves

<b>LPP125</b>	<b>2950r/min</b>
---------------	------------------



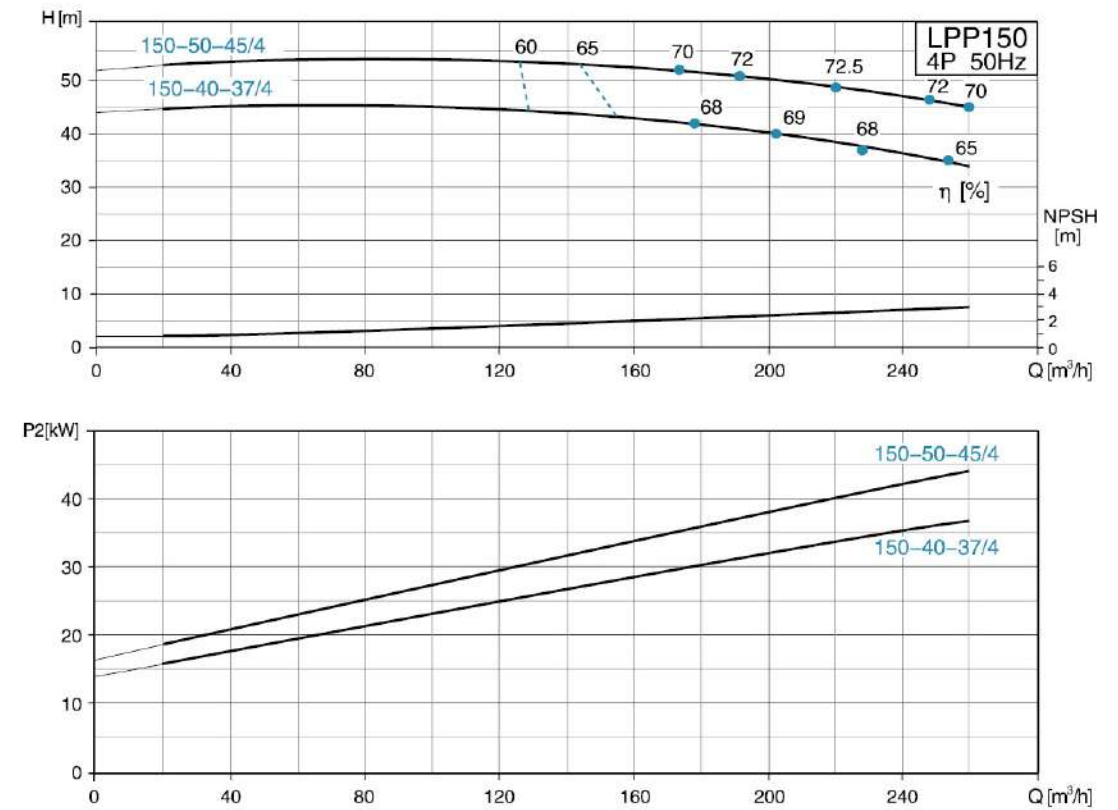
### Dimension Drawing



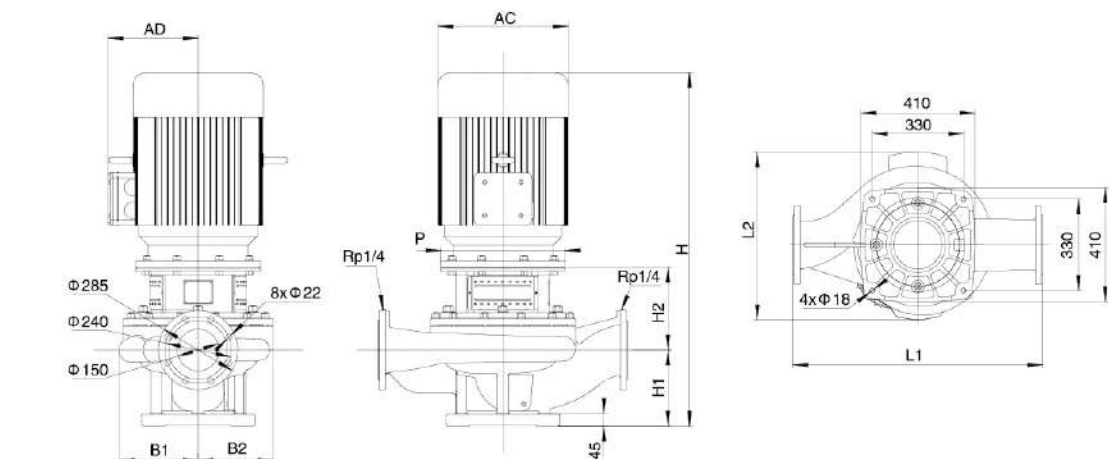
Model	L1 (mm)	L2 (mm)	H (mm)	H1 (mm)	H2 (mm)	B1 (mm)	B2 (mm)	P (mm)	AD (mm)	AC (mm)
LPP125-50-30/2	700	515	1155	240	235	193	161	400	305	420
LPP125-44-30/2	700	515	1155	240	235	193	161	400	305	420
LPP125-37.5-22/2	700	470	1068	240	228	193	161	350	280	380

### Hydraulic Performance Curves

<b>LPP150</b>	<b>1480r/min</b>
---------------	------------------



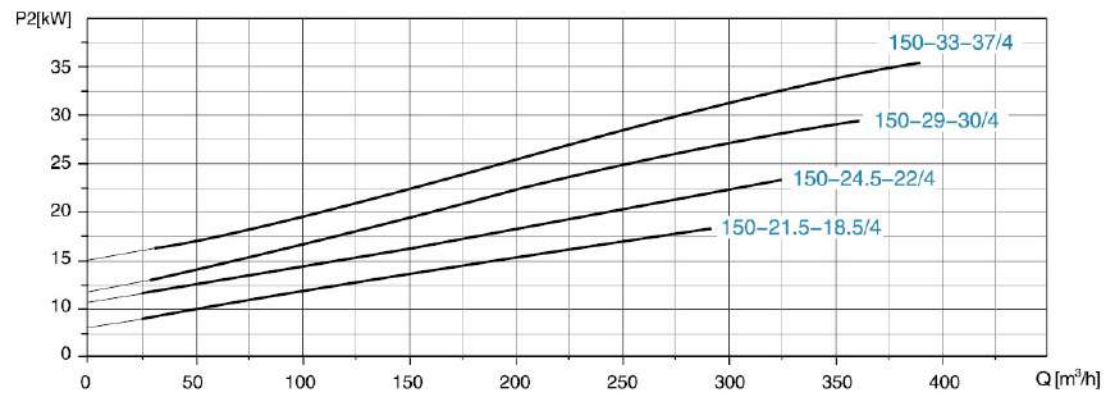
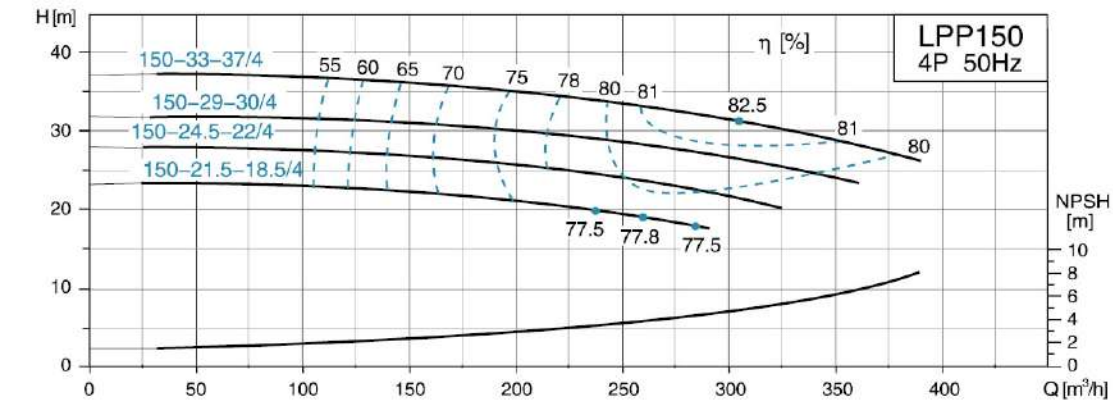
### Dimension Drawing



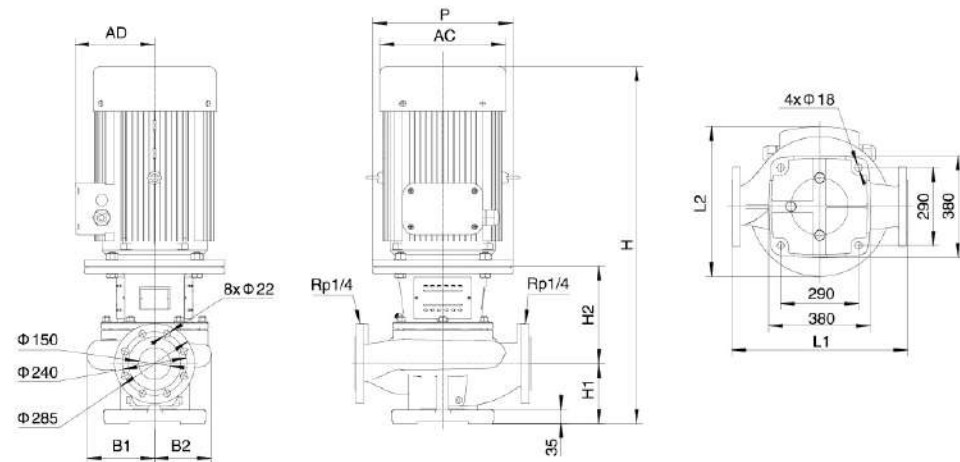
Model	L1 (mm)	L2 (mm)	H (mm)	H1 (mm)	H2 (mm)	B1 (mm)	B2 (mm)	P (mm)	AD (mm)	AC (mm)
LPP150-50-45/4	900	606	1275	275	300	335	271	450	335	470
LPP150-40-37/4	900	606	1250	275	300	335	271	450	335	470

### Hydraulic Performance Curves

<b>LPP150</b>	<b>1480r/min</b>
---------------	------------------



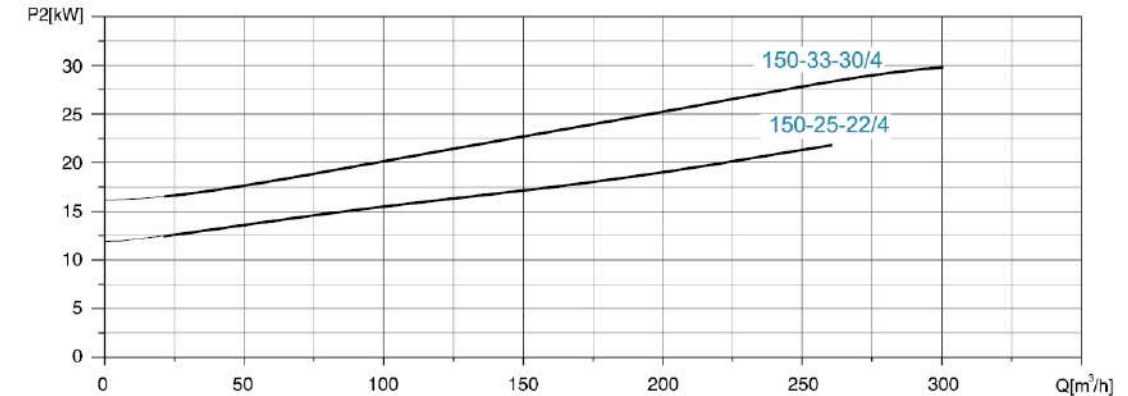
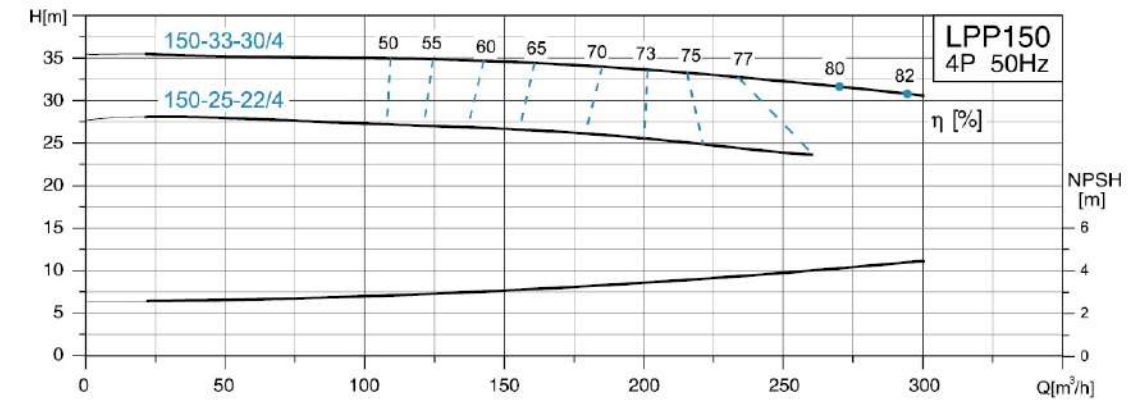
### Dimension Drawing



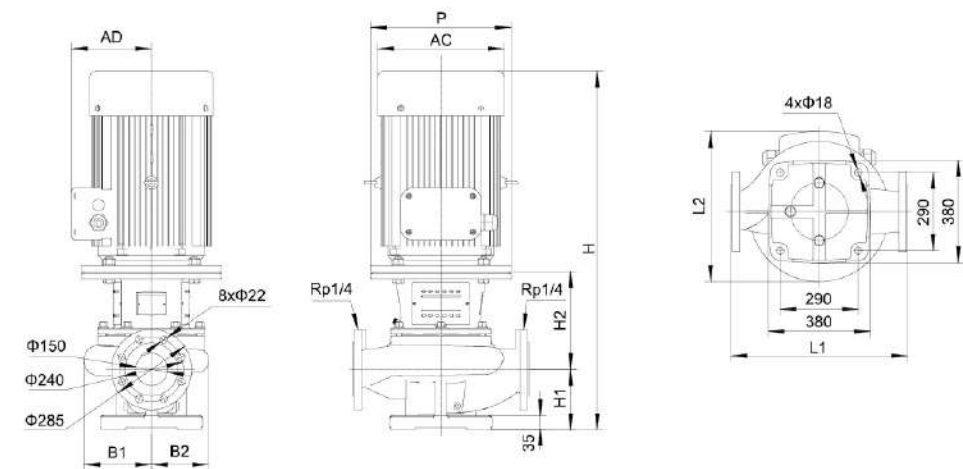
Model	L1 (mm)	L2 (mm)	H (mm)	H1 (mm)	H2 (mm)	B1 (mm)	B2 (mm)	P (mm)	AD (mm)	AC (mm)
LPP150-33-37/4	800	575	1240	235	330	291	240	450	335	470
LPP150-29-30/4	800	545	1225	235	300	291	240	400	305	420
LPP150-24.5-22/4	800	531	1165	235	295	291	240	350	280	380
LPP150-21.5-18.5/4	800	531	1120	235	295	291	240	350	280	380

### Hydraulic Performance Curves

<b>LPP150</b>	<b>1480r/min</b>
---------------	------------------

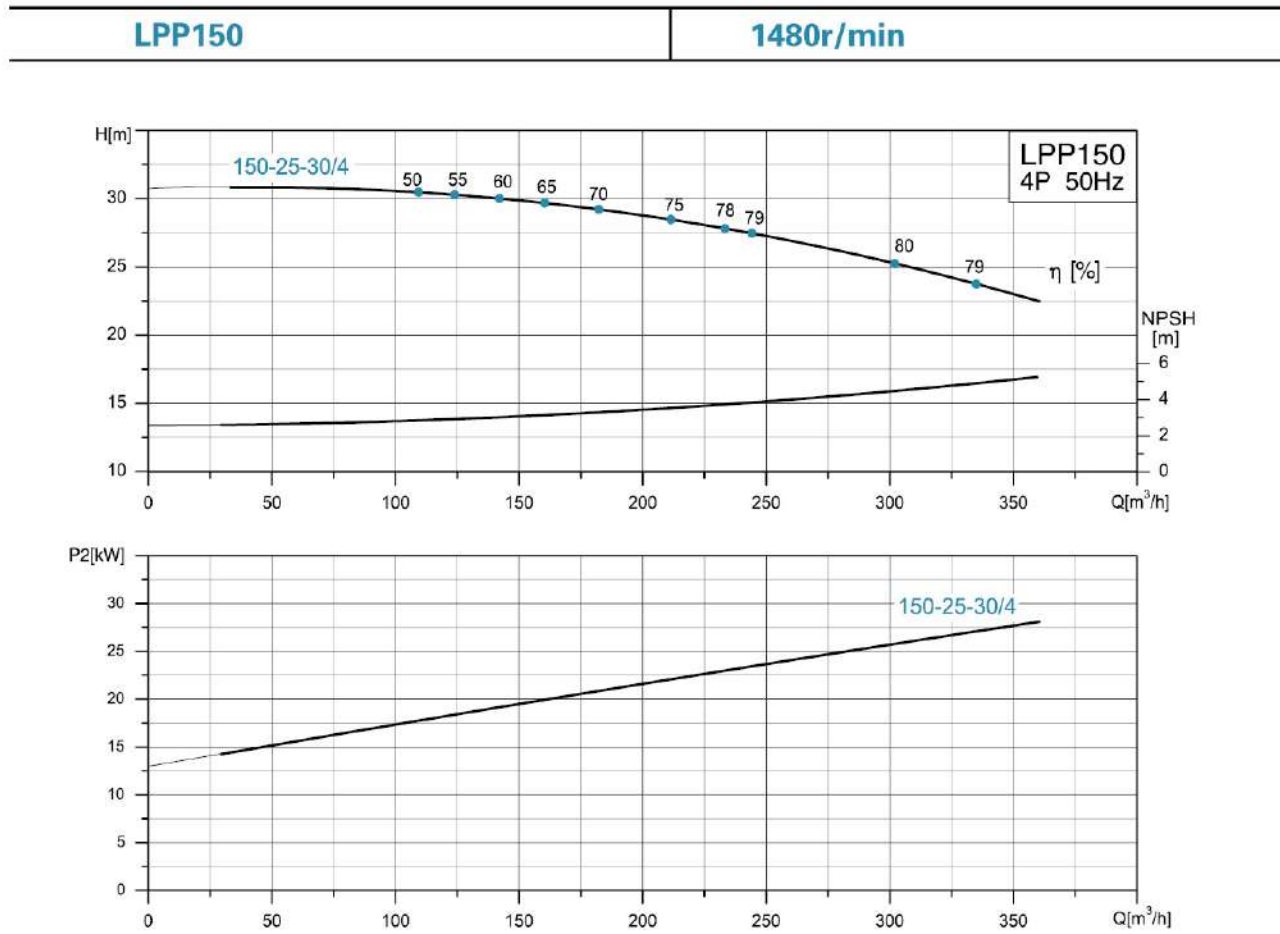


### Dimension Drawing

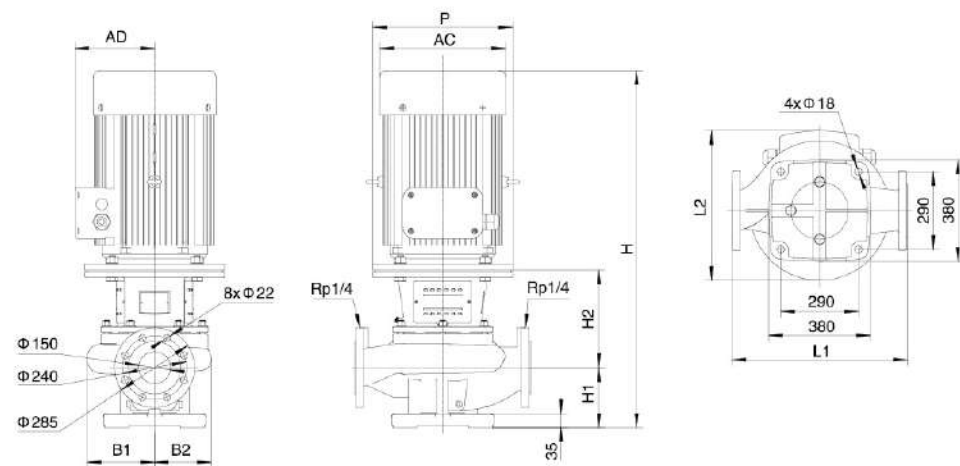


Model	L1 (mm)	L2 (mm)	H (mm)	H1 (mm)	H2 (mm)	B1 (mm)	B2 (mm)	P (mm)	AD (mm)	AC (mm)
LPP150-33-30/4	800	545	1195	235	300	291	240	400	305	420
LPP150-25-22/4	800	531	1165	235	295	291	240	350	280	380

### Hydraulic Performance Curves

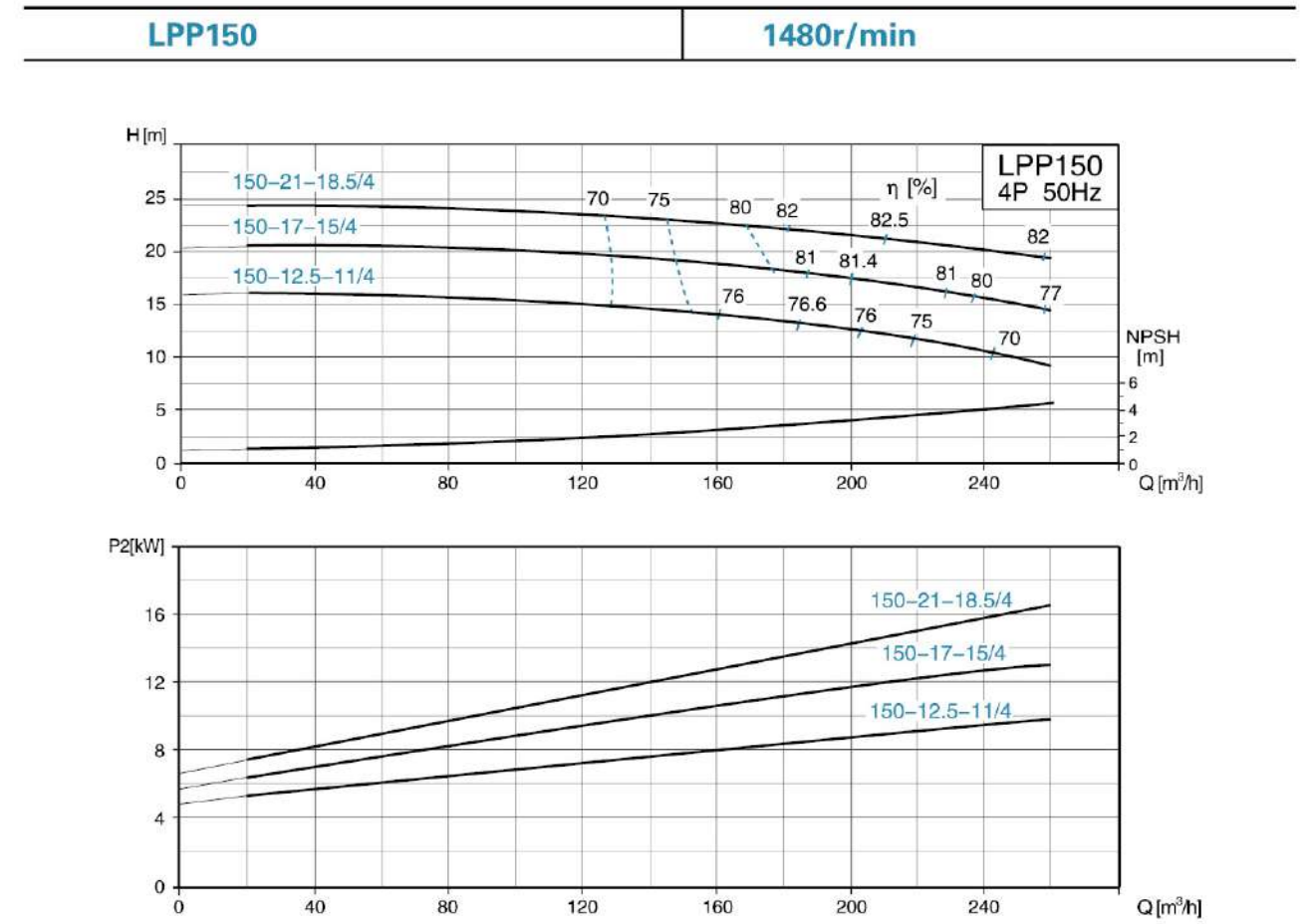


### Dimension Drawing

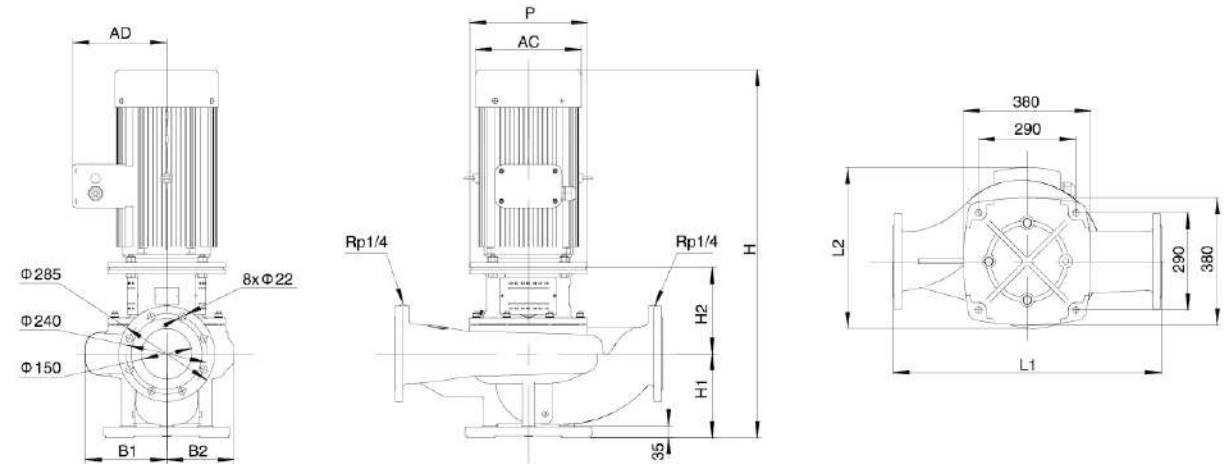


Model	L1 (mm)	L2 (mm)	H (mm)	H1 (mm)	H2 (mm)	B1 (mm)	B2 (mm)	P (mm)	AD (mm)	AC (mm)
LPP150-25-30/4	800	545	1195	235	300	291	240	400	305	420

### Hydraulic Performance Curves

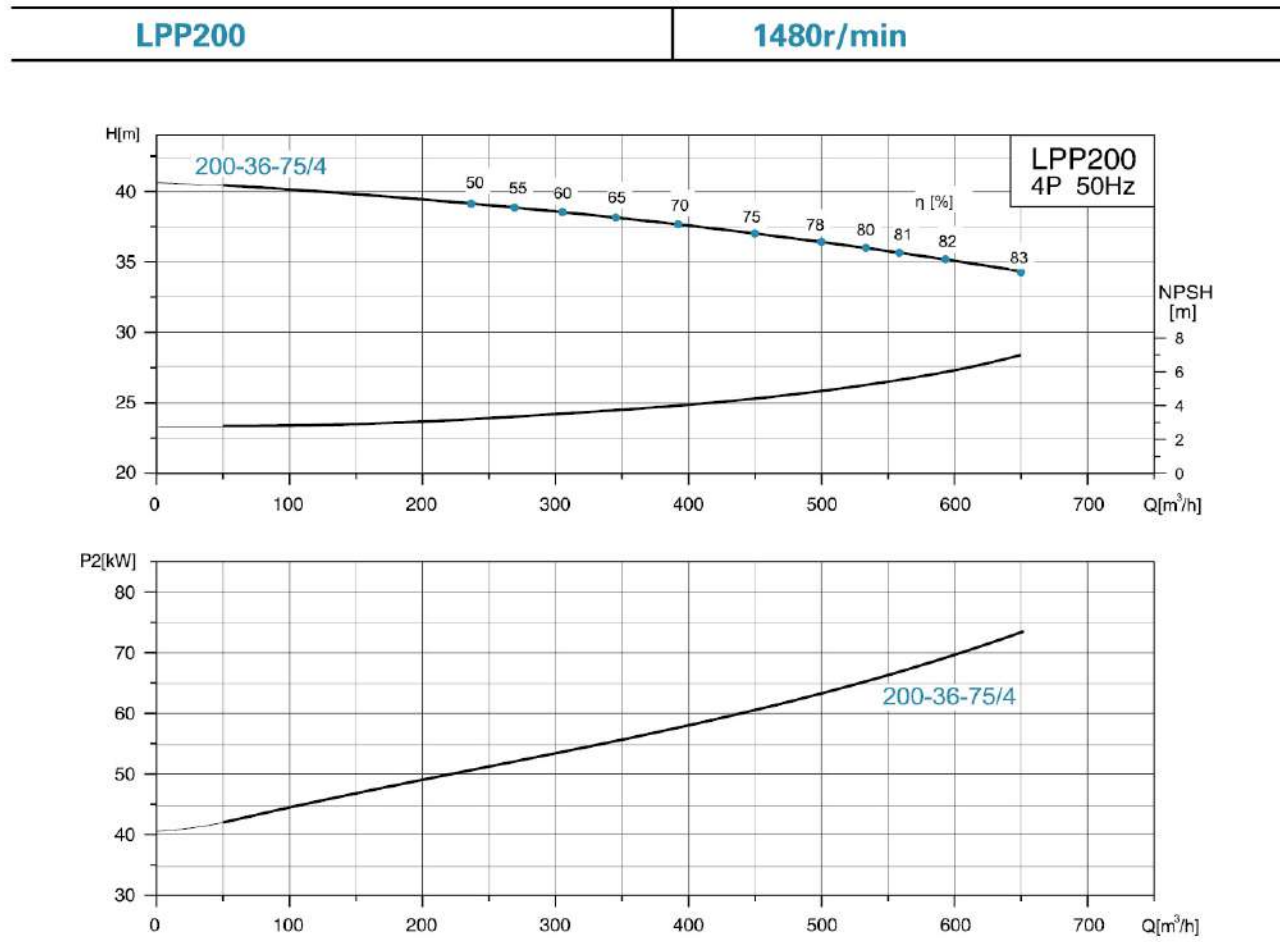


### Dimension Drawing

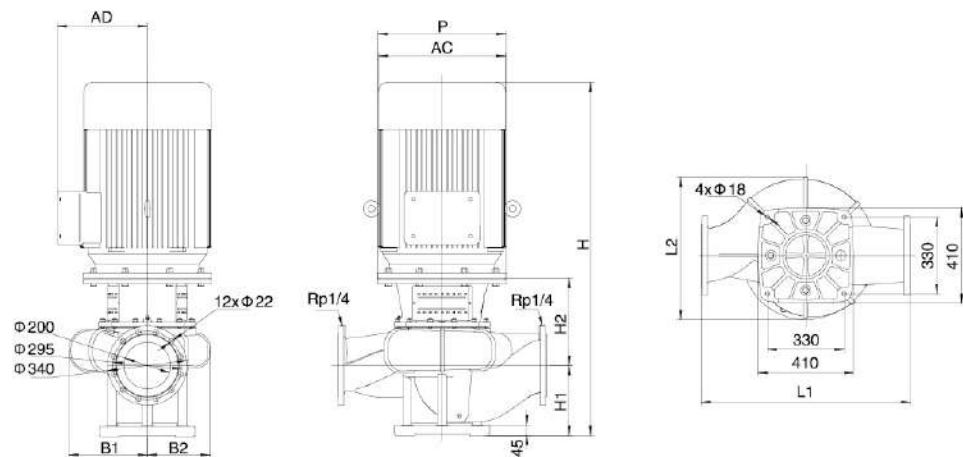


Model	L1 (mm)	L2 (mm)	H (mm)	H1 (mm)	H2 (mm)	B1 (mm)	B2 (mm)	P (mm)	AD (mm)	AC (mm)
LPP150-21-18.5/4	800	479	1097	250	257	241	199	350	280	380
LPP150-17-15/4	800	449	1067	250	257	241	199	350	250	330
LPP150-12.5-11/4	800	449	1012	250	257	241	199	350	250	330

### Hydraulic Performance Curves

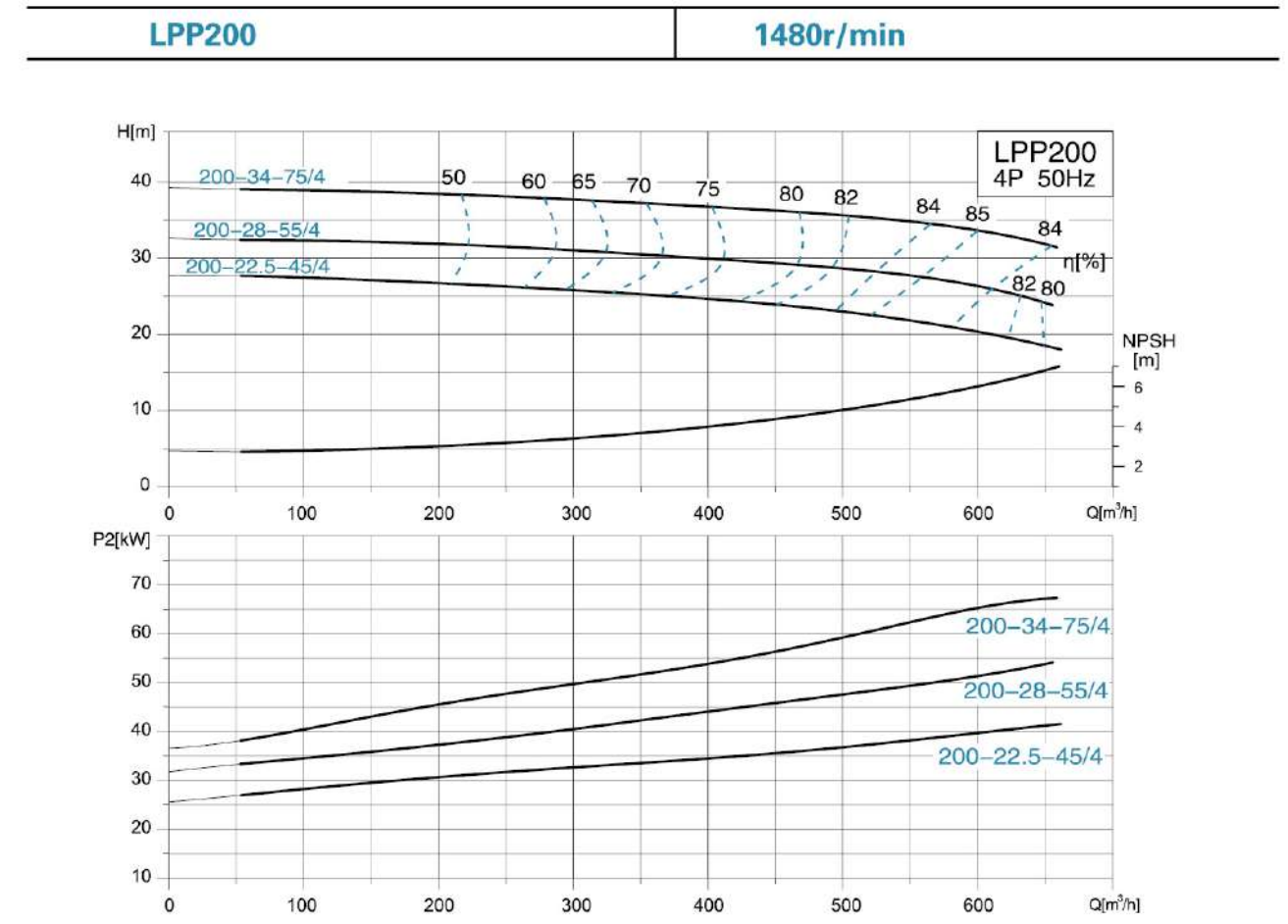


### Dimension Drawing

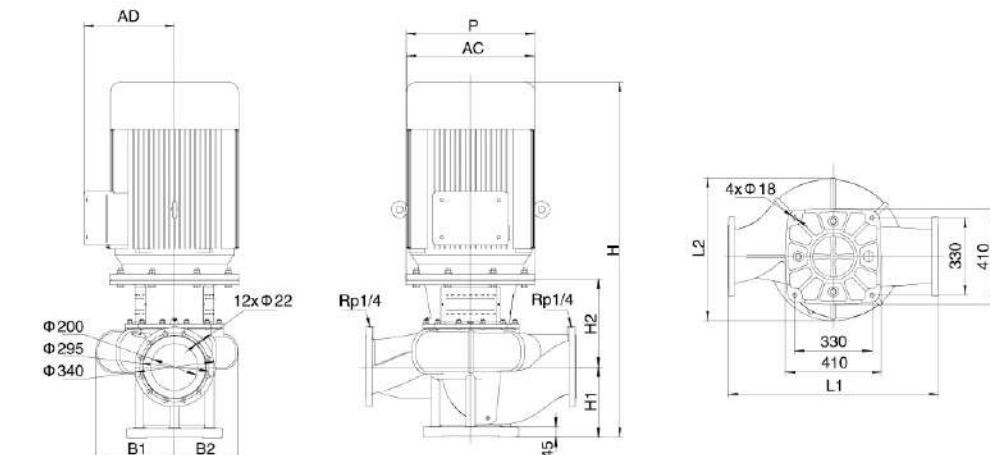


Model	L1 (mm)	L2 (mm)	H (mm)	H1 (mm)	H2 (mm)	B1 (mm)	B2 (mm)	P (mm)	AD (mm)	AC (mm)
LPP200-36-75/4	900	700	1520	300	375	337	270	550	410	580

### Hydraulic Performance Curves

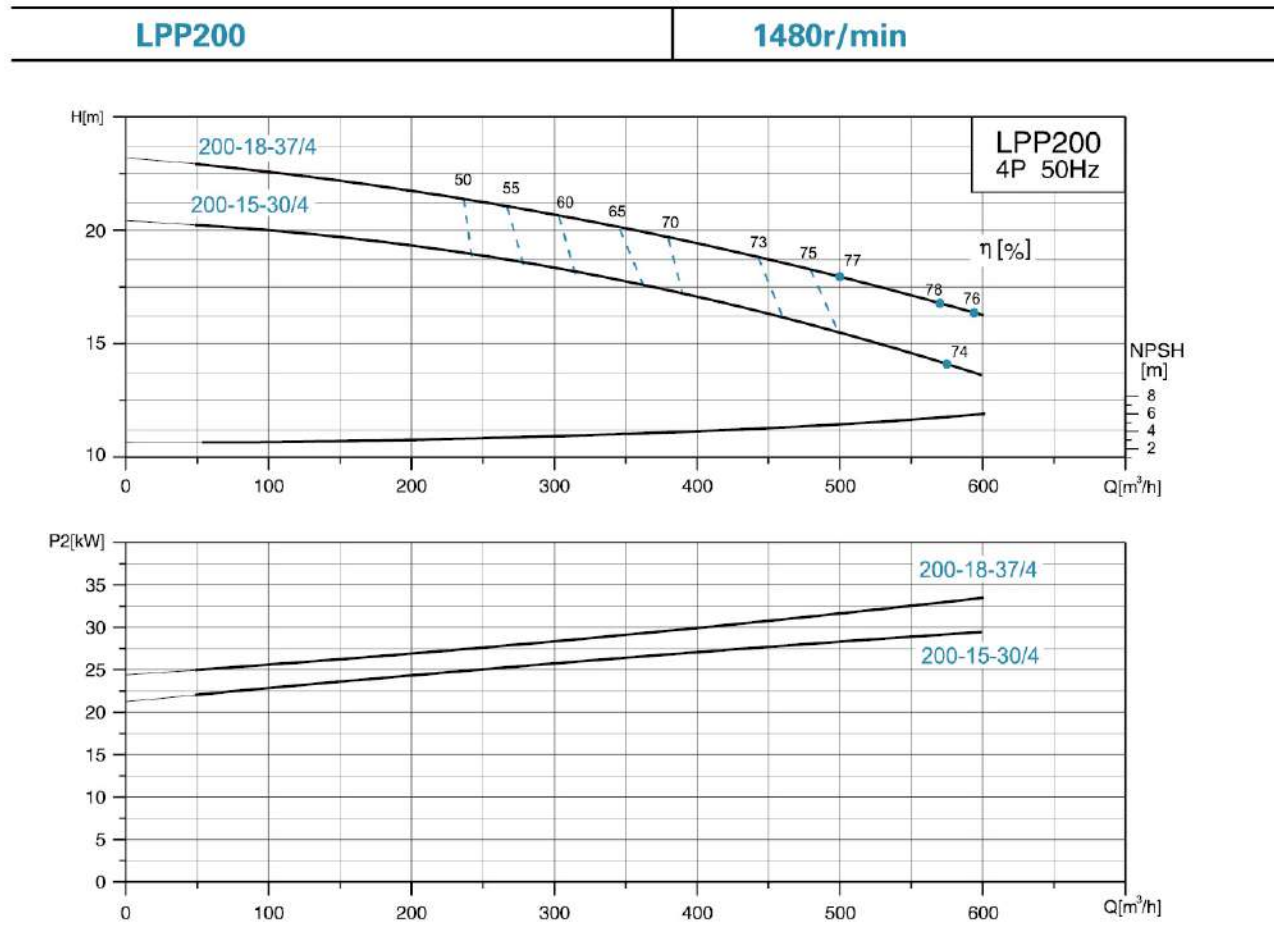


### Dimension Drawing

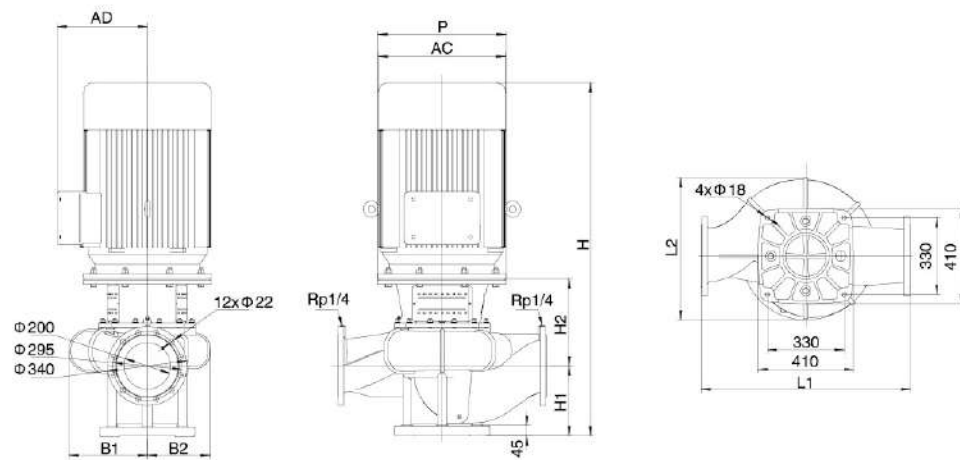


Model	L1 (mm)	L2 (mm)	H (mm)	H1 (mm)	H2 (mm)	B1 (mm)	B2 (mm)	P (mm)	AD (mm)	AC (mm)
LPP200-34-75/4	900	700	1520	300	375	337	270	550	410	580
LPP200-28-55/4	900	640	1435	300	375	337	270	550	370	510
LPP200-22.5-45/4	900	607	1365	300	365	337	270	450	335	470

### Hydraulic Performance Curves

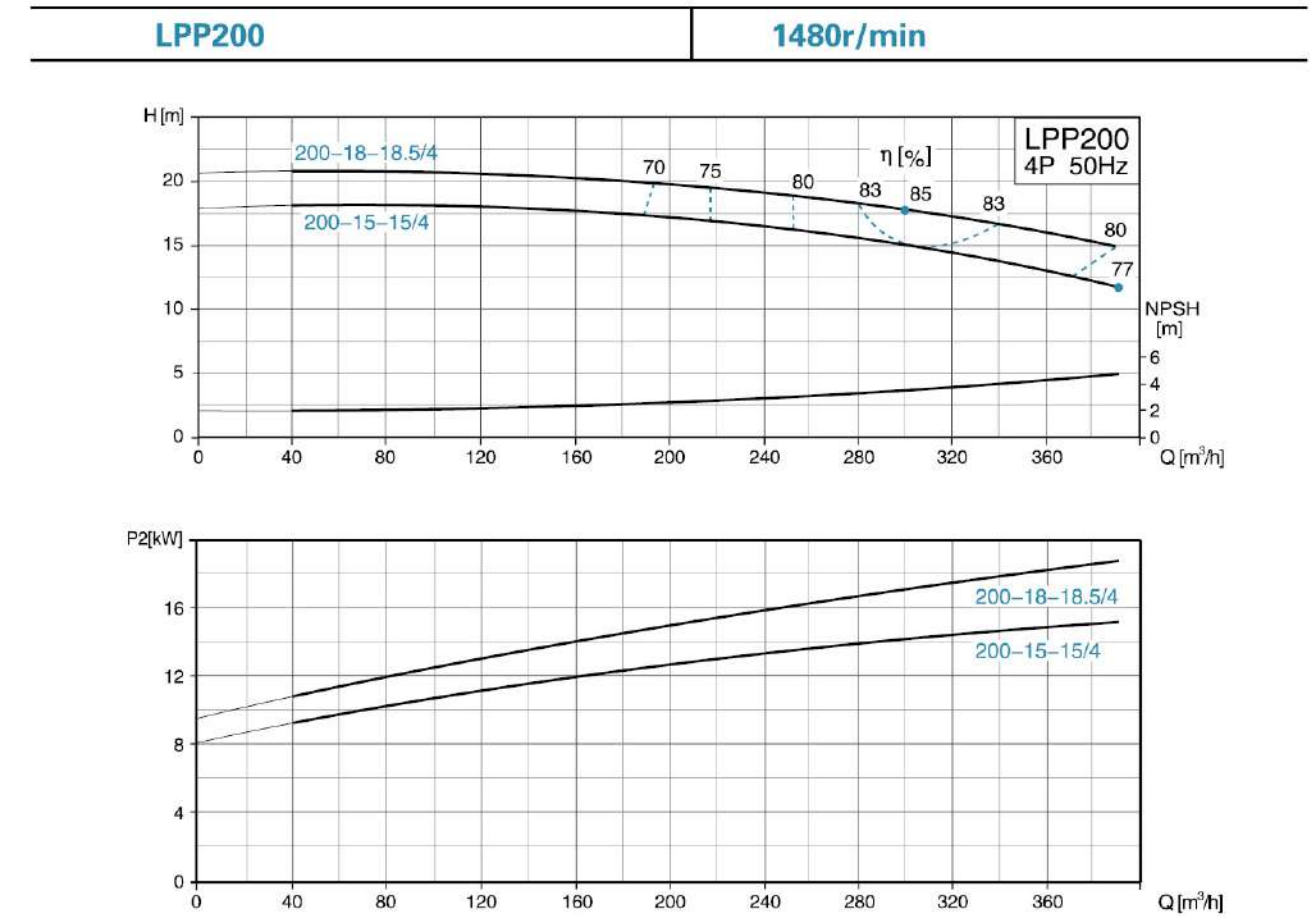


### Dimension Drawing

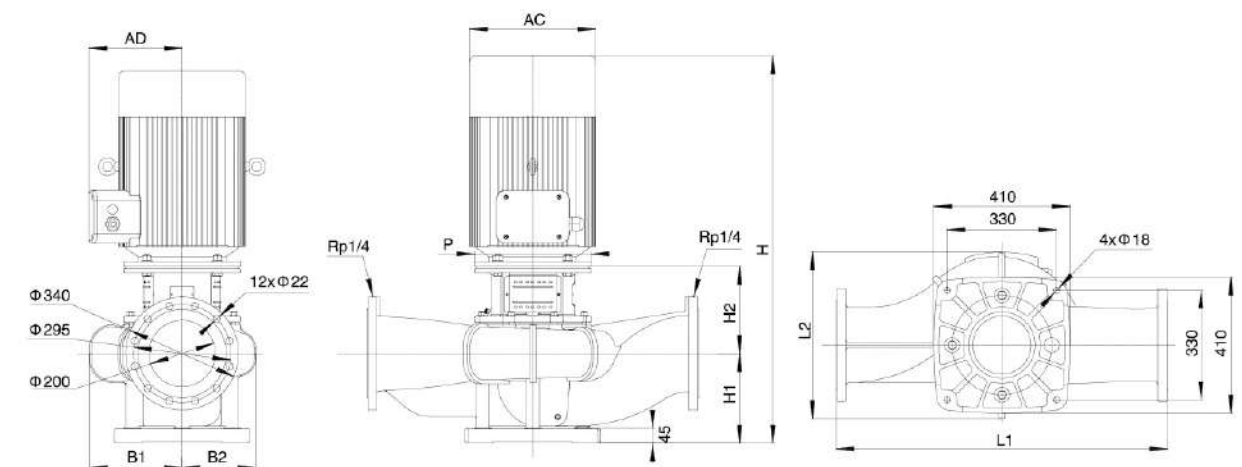


Model	L1 (mm)	L2 (mm)	H (mm)	H1 (mm)	H2 (mm)	B1 (mm)	B2 (mm)	P (mm)	AD (mm)	AC (mm)
LPP200-18-37/4	900	607	1340	300	365	337	270	450	335	470
LPP200-15-30/4	900	607	1295	300	335	337	270	400	305	420

### Hydraulic Performance Curves

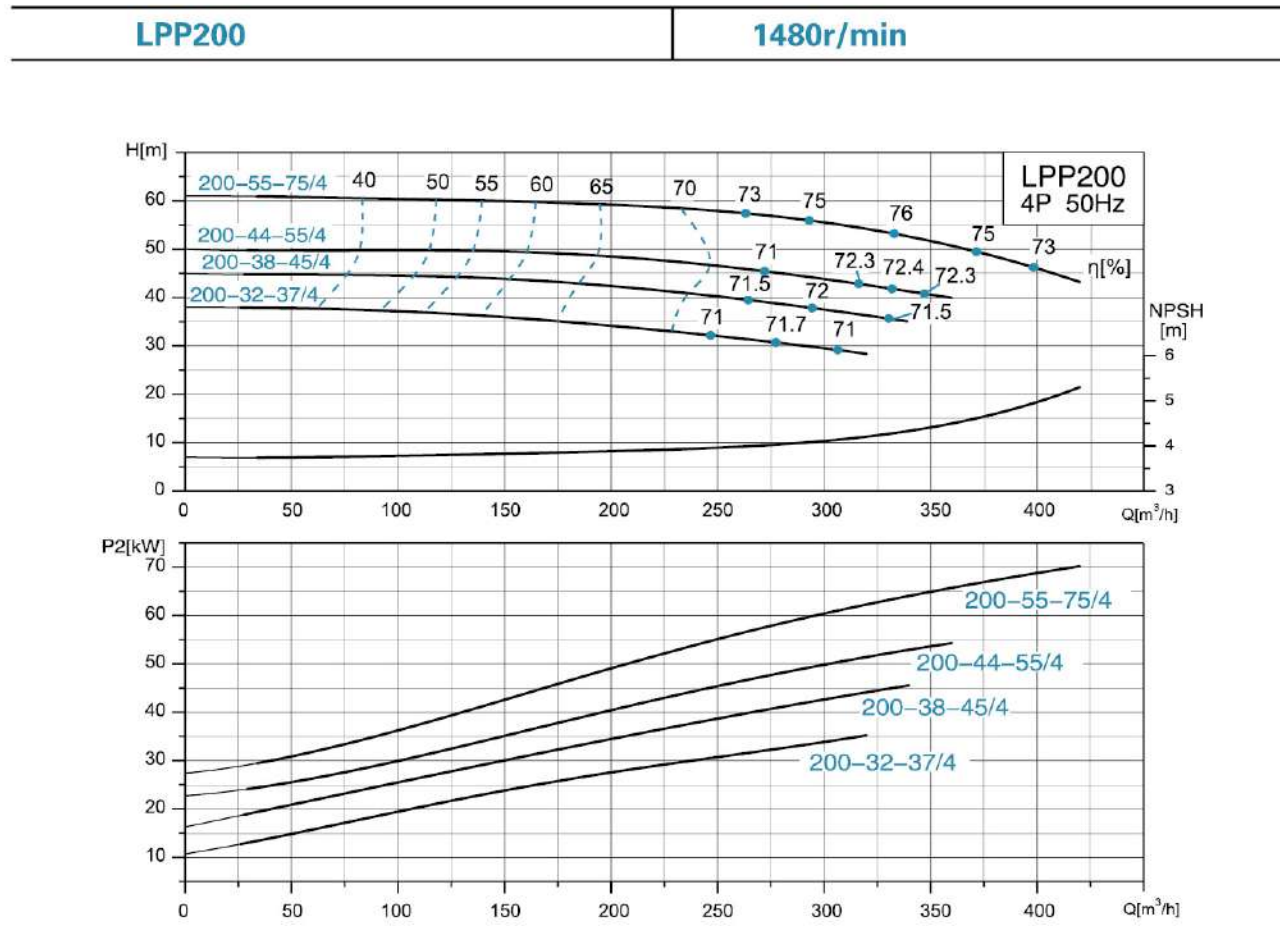


### Dimension Drawing

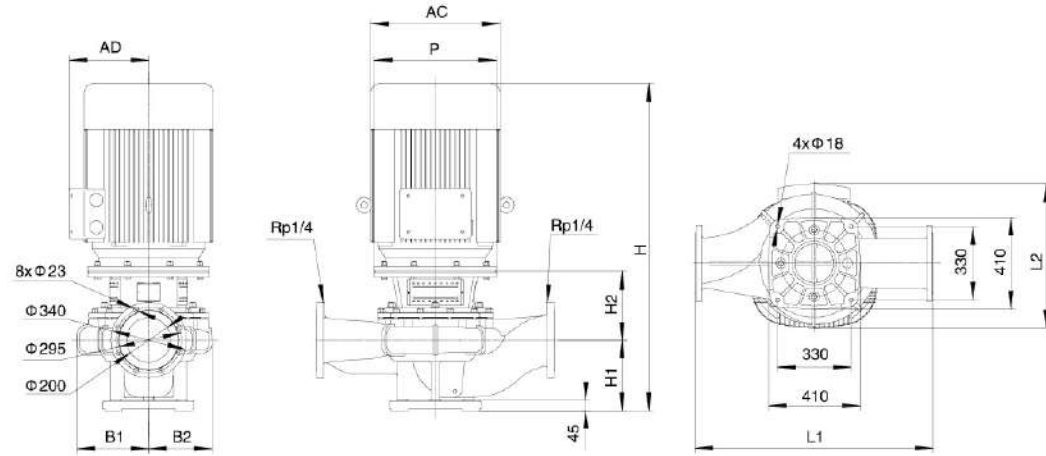


Model	L1 (mm)	L2 (mm)	H (mm)	H1 (mm)	H2 (mm)	B1 (mm)	B2 (mm)	P (mm)	AD (mm)	AC (mm)
LPP200-18-18.5/4	1000	501.5	1122	270	262	278.5	221.5	350	280	380
LPP200-15-15/4	1000	501.5	1092	270	262	278.5	221.5	350	280	380

### Hydraulic Performance Curves

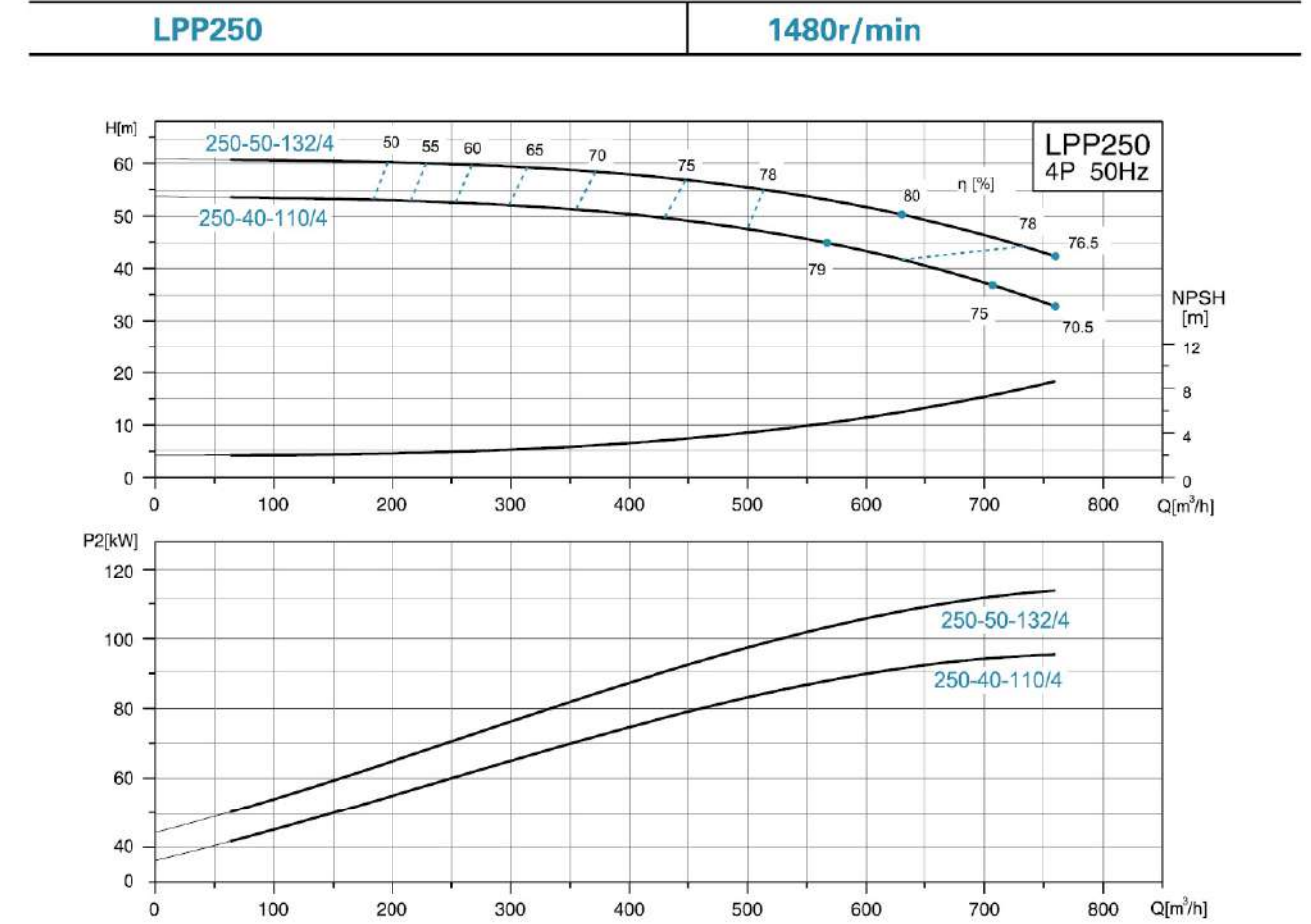


### Dimension Drawing

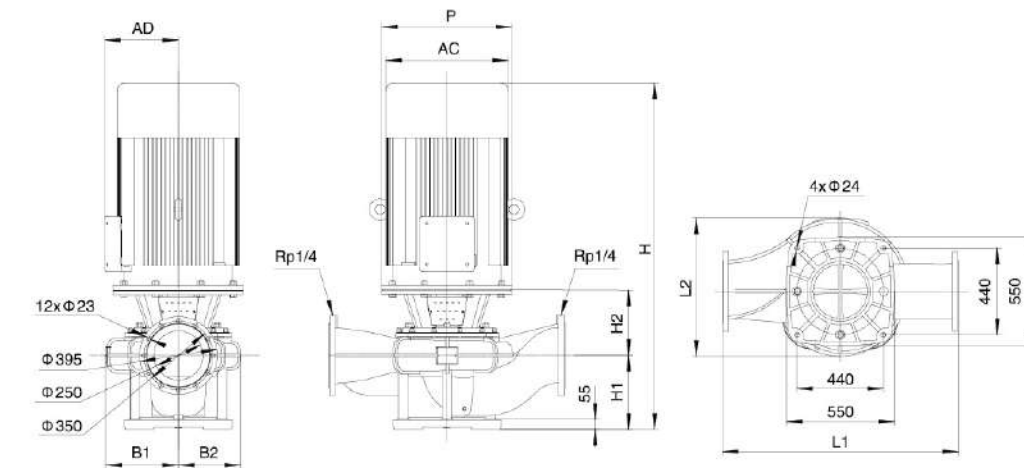


Model	L1 (mm)	L2 (mm)	H (mm)	H1 (mm)	H2 (mm)	B1 (mm)	B2 (mm)	P (mm)	AD (mm)	AC (mm)
LPP200-55-75/4	1070	700	1471	317	309	323	284	550	410	580
LPP200-44-55/4	1070	654	1396	317	309	323	284	550	370	510
LPP200-38-45/4	1070	619	1326	317	309	323	284	450	335	470
LPP200-32-37/4	1070	619	1301	317	309	323	284	450	335	470

### Hydraulic Performance Curves

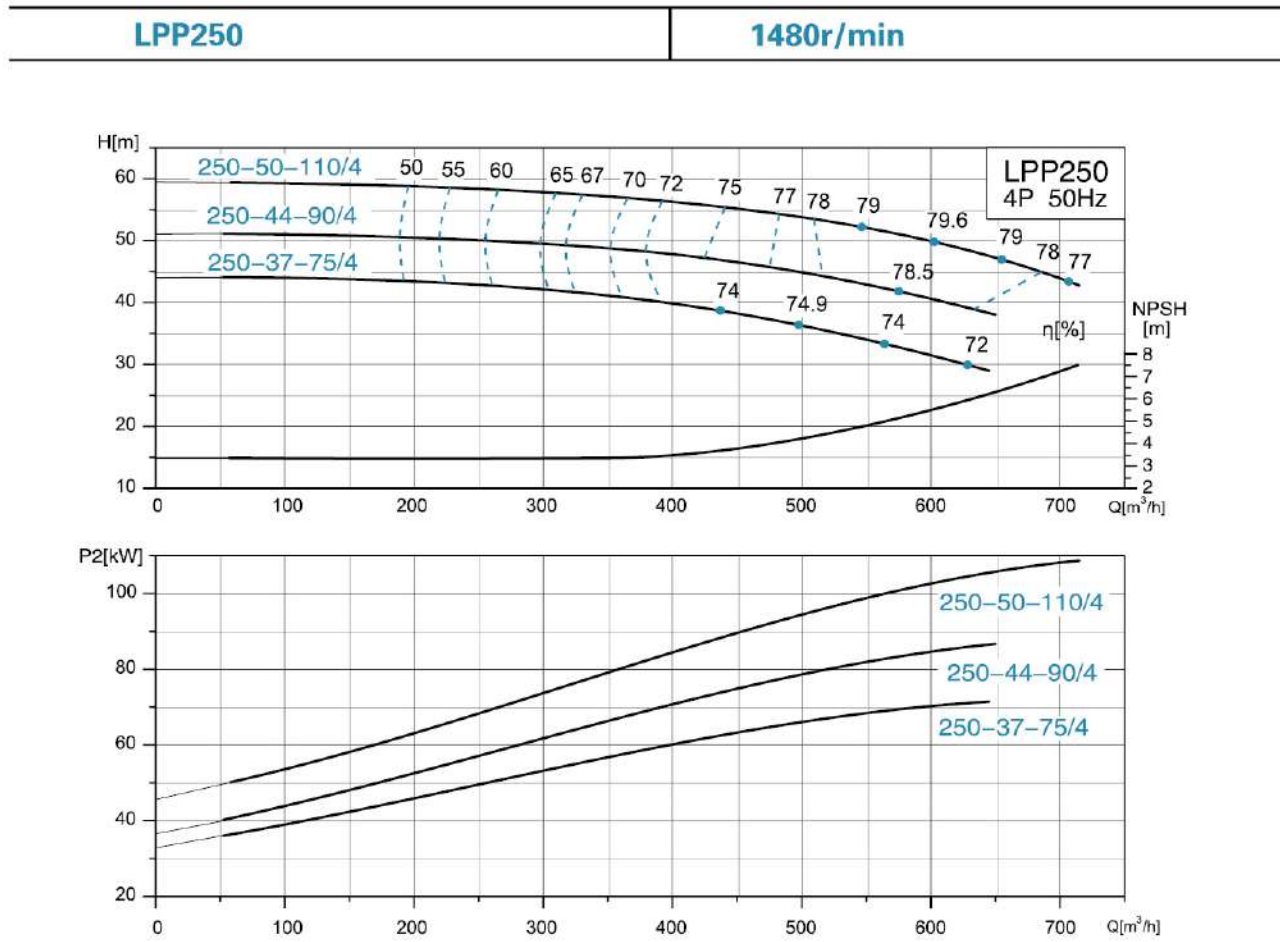


### Dimension Drawing

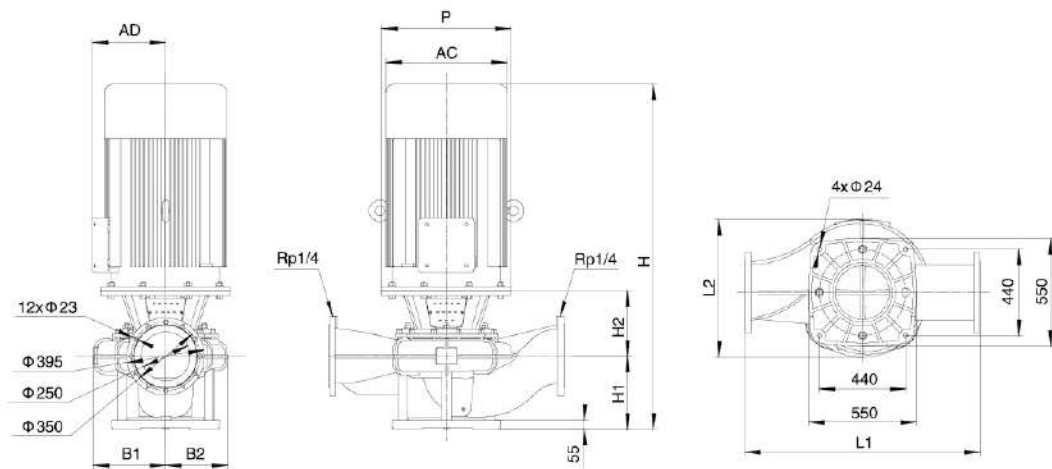


Model	L1 (mm)	L2 (mm)	H (mm)	H1 (mm)	H2 (mm)	B1 (mm)	B2 (mm)	P (mm)	AD (mm)	AC (mm)
LPP250-50-132/4	1200	860	1868	375	333	361	317	660	530	645
LPP250-40-110/4	1200	860	1808	375	333	361	317	660	530	645

### Hydraulic Performance Curves



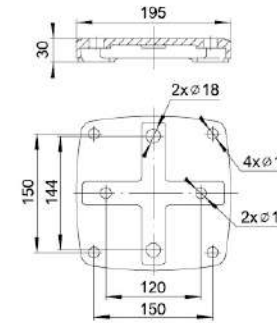
### Dimension Drawing



Model	L1 (mm)	L2 (mm)	H (mm)	H1 (mm)	H2 (mm)	B1 (mm)	B2 (mm)	P (mm)	AD (mm)	AC (mm)
LPP250-50-110/4	1200	860	1808	375	333	361	317	660	530	645
LPP250-44-90/4	1200	727	1573	375	303	361	317	550	410	580
LPP250-37-75/4	1200	727	1523	375	303	361	317	550	410	580

### Base Plate Installation

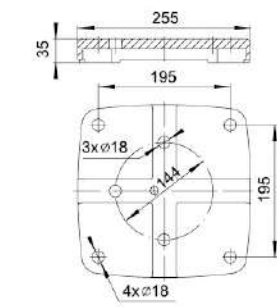
Base Plate 1



Model
LPP32-31-3/2
LPP32-26-2.2/2
LPP32-21-1.5/2
LPP32-16-1.1/2
LPP40-31-4/2
LPP40-24.5-3/2
LPP40-20.5-2.2/2
LPP40-20.5-1.5/2

Model
LPP40-17.5-1.1/2
LPP40-13-0.75/2
LPP50-34-5.5/2
LPP50-28-4/2
LPP50-24-3/2
LPP50-21-2.2/2
LPP50-16-1.5/2
LPP50-12-1.1/2

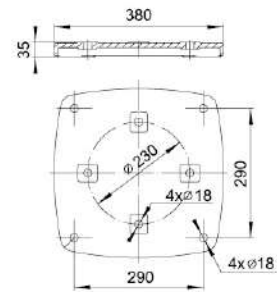
Base Plate 2



Model
LPP32-50-5.5/2
LPP32-40-4/2
LPP50-81-22/2
LPP50-70-18.5/2
LPP50-60-15/2
LPP50-80-11/2
LPP50-70-7.5/2
LPP50-60-7.5/2
LPP50-50-5.5/2
LPP50-40-4/2
LPP50-35-3/2
LPP65-56-18.5/2
LPP65-49-15/2
LPP65-40-11/2

Model
LPP65-35-7.5/2
LPP65-28-5.5/2
LPP65-21-4/2
LPP65-17-3/2
LPP65-14-2.2/2
LPP80-35-15/2
LPP80-28-11/2
LPP80-21.5-7.5/2
LPP80-20-5.5/2
LPP80-17-4/2
LPP80-14-3/2
LPP80-10.5-2.2/2
LPP80-8.5-1.5/2

Base Plate 3

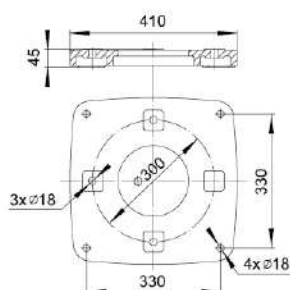


Model
LPP80-80-22/2
LPP80-70-18.5/2
LPP80-60-15/2
LPP80-28-11/4
LPP80-22-7.5/4
LPP80-19-5.5/4
LPP100-80-37/2
LPP100-70-30/2
LPP100-60-22/2
LPP100-50-22/2
LPP100-44-18.5/2
LPP100-38-15/2
LPP100-16-7.5/4
LPP100-32-22/2
LPP100-30-18.5/2
LPP100-24-15/2
LPP100-20-11/2
LPP100-32-22/4
LPP100-30-18.5/4
LPP100-25-15/4

Model
LPP100-21-11/4
LPP125-50-30/2
LPP125-44-30/2
LPP125-37.5-22/2
LPP125-35-30/4
LPP125-31-22/4
LPP125-28-18.5/4
LPP125-24-15/4
LPP125-19-11/4
LPP150-33-37/4
LPP150-29-30/4
LPP150-24.5-22/4
LPP150-21.5-18.5/4
LPP150-33-30/4
LPP150-25-22/4
LPP150-25-30/4
LPP150-21-18.5/4
LPP150-17-15/4
LPP150-12.5-11/4

## Base Plate Installation

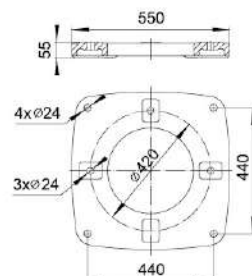
Base Plate 4



Model
LPP150-50-45/4
LPP150-40-37/4
LPP200-55-75/2
LPP200-36-75/4
LPP200-34-75/4
LPP200-44-55/4
LPP200-28-55/4
LPP200-38-45/4
LPP200-22.5-45/4
LPP200-32-37/4

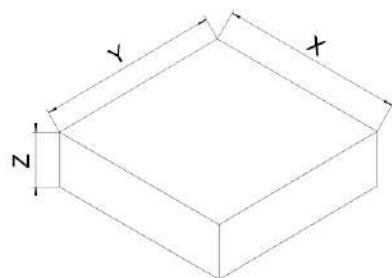
Model
LPP200-18-37/4
LPP200-15-30/4
LPP200-18-18.5/4
LPP200-15-15/4

Base Plate 5



Model
LPP250-50-132/4
LPP250-50-110/4
LPP250-40-110/4
LPP250-44-90/4
LPP250-37-75/4

## Pedestal Installation



Model	Weight (kg)	X (mm)	Y (mm)	Z (mm)
LPP50-81-22/2	245	670	670	330
LPP50-70-18.5/2	206	670	670	330
LPP50-60-15/2	158	565	565	280
LPP65-56-18.5/2	186	565	565	280
LPP65-49-15/2	180	565	565	280
LPP65-40-11/2	176	565	565	280
LPP80-35-15/2	187	565	565	280
LPP80-28-11/2	173	565	565	280
LPP80-21.5-7.5/2	128	565	565	280
LPP80-28-11/4	238	670	670	330
LPP80-22-7.5/4	181	565	565	280
LPP80-19-5.5/4	168	565	565	280
LPP80-80-22/2	265	710	710	360

## Pedestal Installation

Model	Weight (kg)	X (mm)	Y (mm)	Z (mm)
LPP80-70-18.5/2	220	670	670	330
LPP80-60-15/2	178	565	565	280
LPP100-50-22/2	267	710	710	360
LPP100-44-18.5/2	222	670	670	330
LPP100-38-15/2	180	565	565	280
LPP100-80-37/2	341	750	750	375
LPP100-70-30/2	330	750	750	375
LPP100-60-22/2	276	710	710	360
LPP100-32-22/2	330	750	750	375
LPP100-30-18.5/2	293	710	710	360
LPP100-24-15/2	270	710	710	360
LPP100-20-11/2	256	670	670	330
LPP100-32-22/4	345	750	750	375
LPP100-30-18.5/4	327	750	750	375
LPP100-25-15/4	286	710	710	360
LPP100-21-11/4	261	670	670	330
LPP100-16-7.5/4	222	670	670	330
LPP125-35-30/4	415	780	780	390
LPP125-31-22/4	352	750	750	375
LPP125-28-18.5/4	335	750	750	375
LPP125-24-15/4	305	710	710	360
LPP125-19-11/4	286	710	710	360
LPP125-50-30/2	347	750	750	375
LPP125-44-30/2	346	750	750	375
LPP125-37.5-22/2	290	710	710	360
LPP150-50-45/4	634	970	970	470
LPP150-40-37/4	570	870	870	440
LPP150-33-37/4	503	840	840	420
LPP150-29-30/4	475	840	840	420
LPP150-33-30/4	459	840	840	420
LPP150-25-22/4	377	780	780	390
LPP150-25-30/4	457	840	840	420
LPP150-24.5-22/4	410	780	780	390
LPP150-21.5-18.5/4	390	780	780	390
LPP150-21-18.5/4	346	750	750	375
LPP150-17-15/4	311	750	750	375
LPP150-12.5-11/4	293	710	710	360
LPP200-36-75/4	894	1050	1050	510
LPP200-34-75/4	860	1050	1050	510
LPP200-28-55/4	700	970	970	470
LPP200-22.5-45/4	570	870	870	440
LPP200-18-37/4	570	870	870	440
LPP200-15-30/4	531	870	870	440
LPP200-18-18.5/4	411	780	780	390
LPP200-15-15/4	376	780	780	390
LPP200-55-75/4	957	1050	1050	510
LPP200-44-55/4	762	970	970	470
LPP200-38-45/4	654	970	970	470
LPP200-32-37/4	633	970	970	470
LPP250-50-132/4	1608	1250	1250	620
LPP250-40-110/4	1512	1250	1250	620
LPP250-50-110/4	1512	1250	1250	620
LPP250-44-90/4	1134	1100	1100	550
LPP250-37-75/4	1092	1100	1100	550





### Application

- Water supply systems
- Pressure boosting
- Heating systems for commercial buildings and district heating
- Cooling plants for industrial processing and air-conditioning units
- General transport for industrial processes
- Fire fighting system

### Pump

- Liquid PH value: 4 - 10
- Liquid temperature: 0°C - 90°C
- Power range: 2.2 - 30 kW
- Max head: 36.5 m
- Max operation pressure: 16 bar
- Altitude: up to 1,000 m

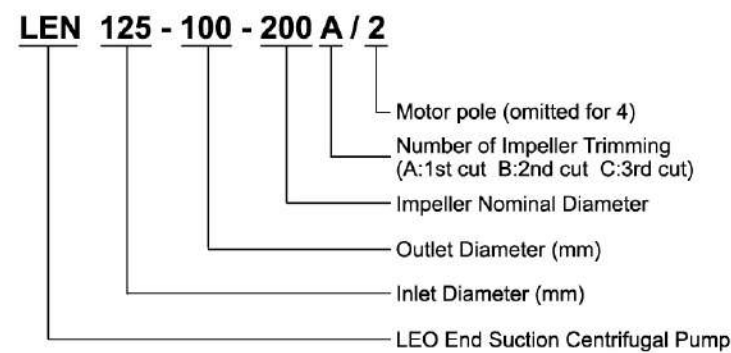
### Motor

- Insulation class: F
- Protection class: IP55
- IE 2 motor as standard. IE 3 motor is available on request

### Flange

- EN 1092 and DIN 2576 standard

### Identification Codes



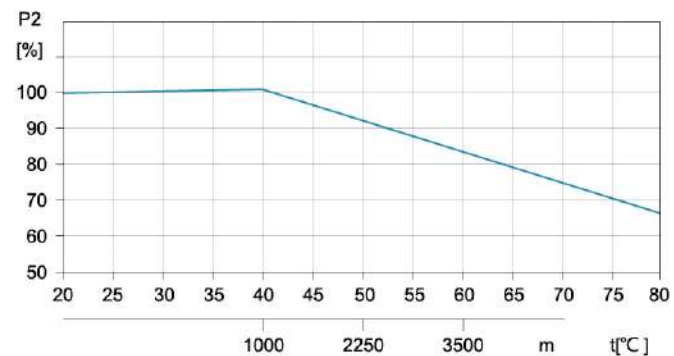
### Ambient Temperature

Max. Ambient temperature: +40°C. Ambient temperature above 40°C, or installation at altitude of more than 1000 m above sea level, require the use of an oversize motor.

Because of low air density and poor cooling effects, the motor output power P2 will be decreased. See the picture.

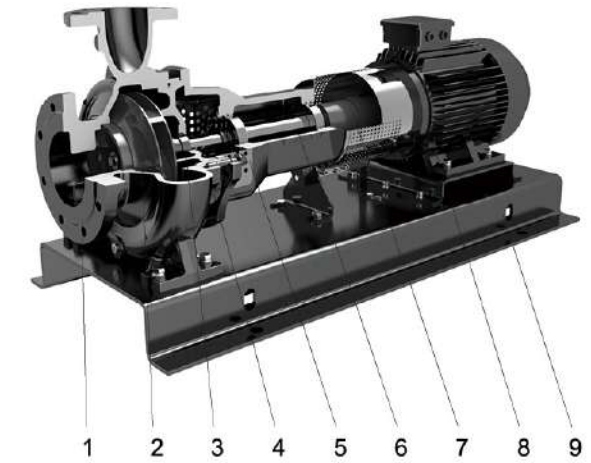
For example, when the pump is installed at altitude of more than 3500 m above sea level, P2 will be decrease to 88%.

When the ambient temperature is 70°C, P2 will be decreased to 78%.



### Materials Table

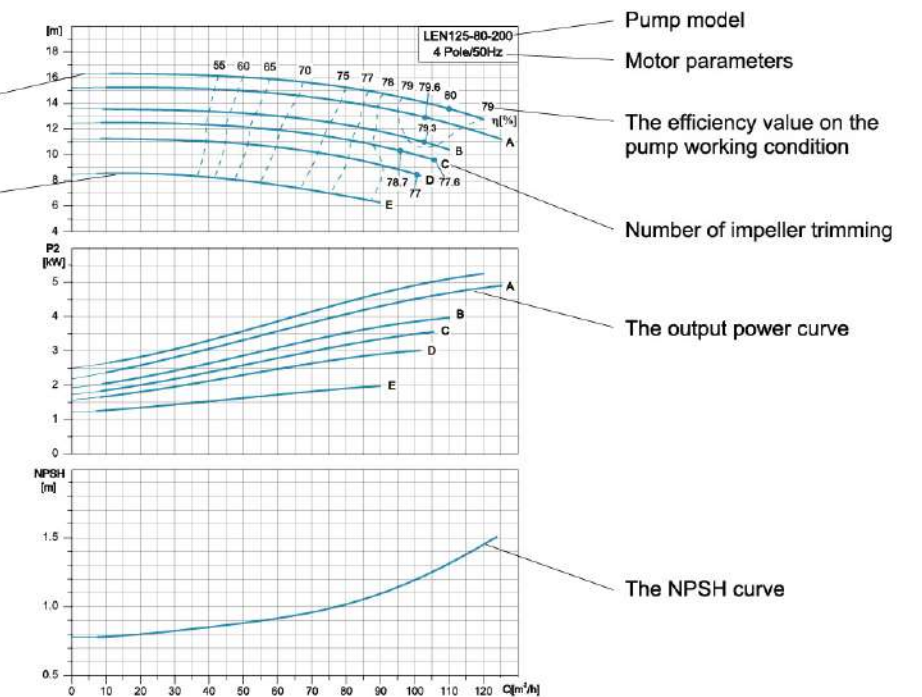
No.	Part	Material
1	Pump body	Cast iron
2	Impeller	Cast iron
3	Mechanical seal	Carbon/Silicon carbide
4	Pump cover	Cast iron
5	Bearing base	Cast iron
6	Pump shaft	Steel/AISI 304
7	Coupling	
8	Motor	
9	Base plate	Iron



### How to Read The Curve Charts

The thin curves indicate the duty range where long-time operation is not allowed

The bold curves indicate the duty range where long-time operation is permitted for best efficiency

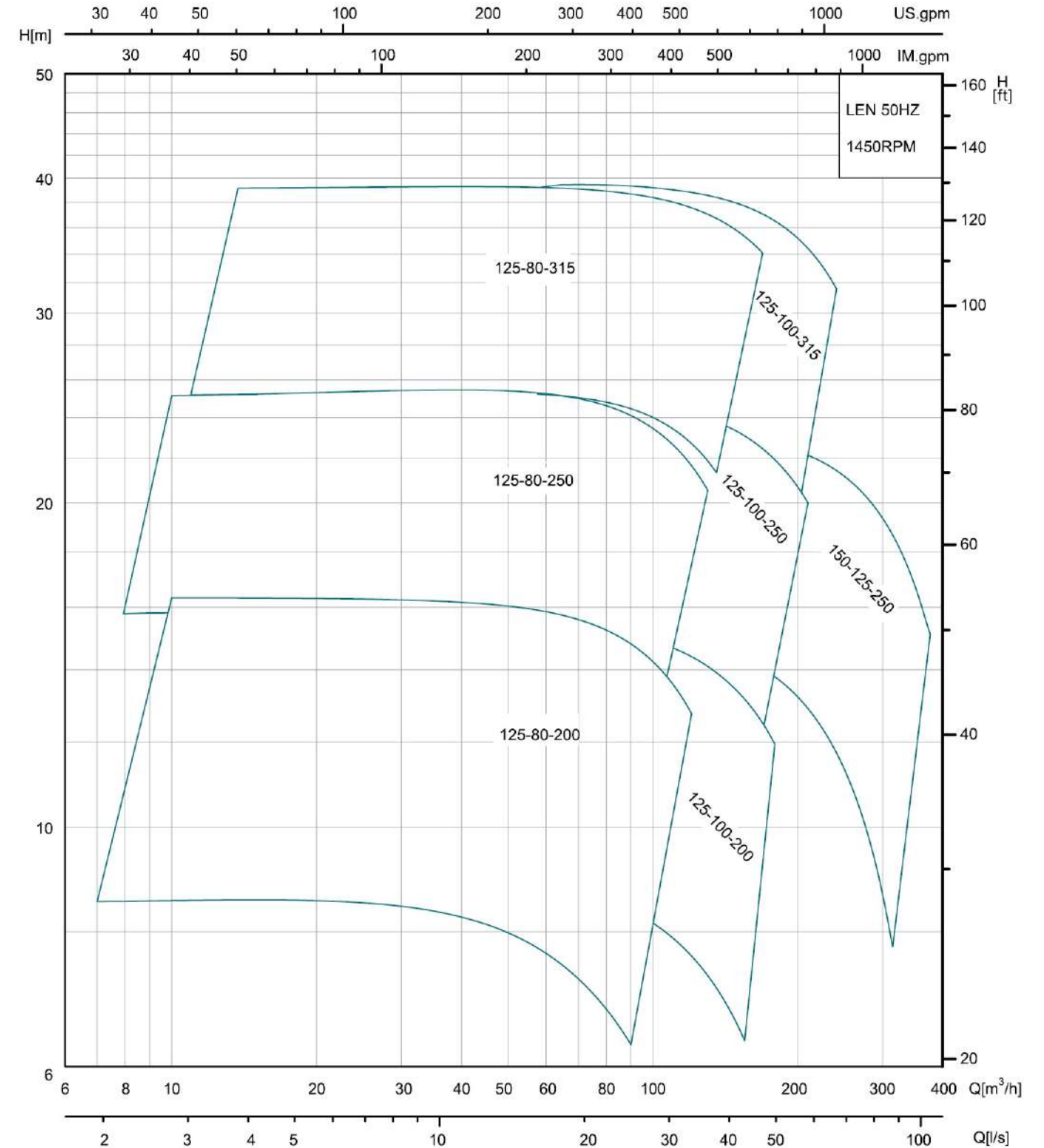


### Guidelines to Performance Curves

Tolerances to ISO 9906, Annex A. Measurements have been made with airless water at a temperature of 20°C and kinematic viscosity of 1mm<sup>2</sup>/s. To avoid overheating of the motor, the pump should not be use against a high head for a long time.

Hydraulic Performance Curves

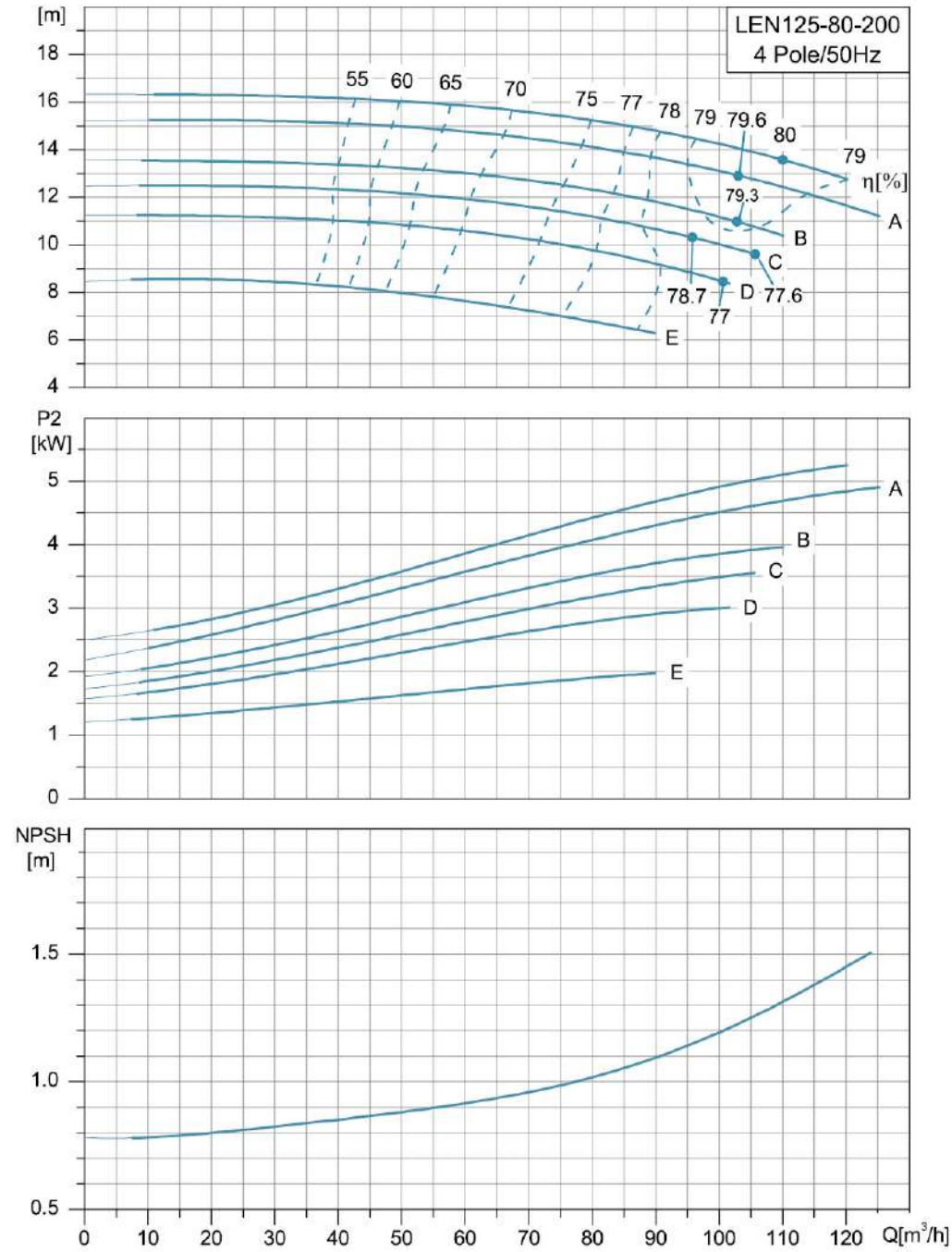
Model	Power (kW)	Rated Flow (m³/h)	Rated Head (m)	Max. Flow (m³/h)	Min. Flow (m³/h)	NPSH (m)
LEN125-80-200	5.5	100	14.5	120	70	2
LEN125-80-200A	5.5	95	13	123.5	66.5	2
LEN125-80-200B	4	90	11.5	108	63	2
LEN125-80-200C	4	85	10.5	110.5	59.5	2
LEN125-80-200D	3	82	9.5	98.5	57.4	2
LEN125-80-200E	2.2	70	7.5	91	49	2
LEN125-100-200	7.5	150	13.5	180	105	2.8
LEN125-100-200A	7.5	145	12	188.5	101.5	2.3
LEN125-100-200B	5.5	140	10.5	168	98	2.3
LEN125-100-200C	5.5	135	9.5	175.5	94.5	2.3
LEN125-100-200D	4	130	7	156	91	2.3
LEN125-80-250	11	100	22.5	130	70	2
LEN125-80-250A	11	96	20.5	125	67.2	2
LEN125-80-250B	7.5	90	18	117	63	2
LEN125-80-250C	7.5	85	16	110.5	59.5	2
LEN125-80-250D	5.5	82	15	98.5	57.4	2
LEN125-80-250E	5.5	78	14	101.5	54.6	2
LEN125-100-250	15	160	21	208	112	2
LEN125-100-250A	15	154	19	200	107.8	2
LEN125-100-250B	11	146	17.5	190	102.2	2
LEN125-100-250C	11	140	16	182	98	2
LEN125-100-250D	11	135	14.5	175.5	94.5	2
LEN125-100-250E	7.5	130	13	156	91	2
LEN125-100-250F	7.5	128	12	166.5	89.6	2
LEN150-125-250	22	290	19	377	203	3.5
LEN150-125-250A	18.5	280	17	336	196	3.5
LEN150-125-250B	18.5	270	15.5	351	189	3.5
LEN150-125-250C	15	256	14	333	179.2	3.5
LEN150-125-250D	15	250	12.5	325	175	3.5
LEN150-125-250E	11	242	11	315	169.4	3.5
LEN125-80-315	22	130	36	169	91	2
LEN125-80-315A	18.5	125	32	162.5	87.5	2
LEN125-80-315B	15	122	29	146.5	85.4	2
LEN125-80-315C	15	116	26.5	151	81.2	2
LEN125-80-315D	15	112	24	145.5	78.4	2
LEN125-80-315E	11	106	22	138	74.2	2
LEN125-100-315	30	185	35	240.5	129.5	2.2
LEN125-100-315A	22	178	30.5	213.5	124.6	2.2
LEN125-100-315B	22	172	28	223.5	120.4	2.2
LEN125-100-315C	18.5	166	28	199	116.2	2.2
LEN125-100-315D	18.5	162	24	210.5	113.4	2.2
LEN125-100-315E	15	158	22	205.5	110.6	2.2



Hydraulic Performance Curves

LEN125-80-200

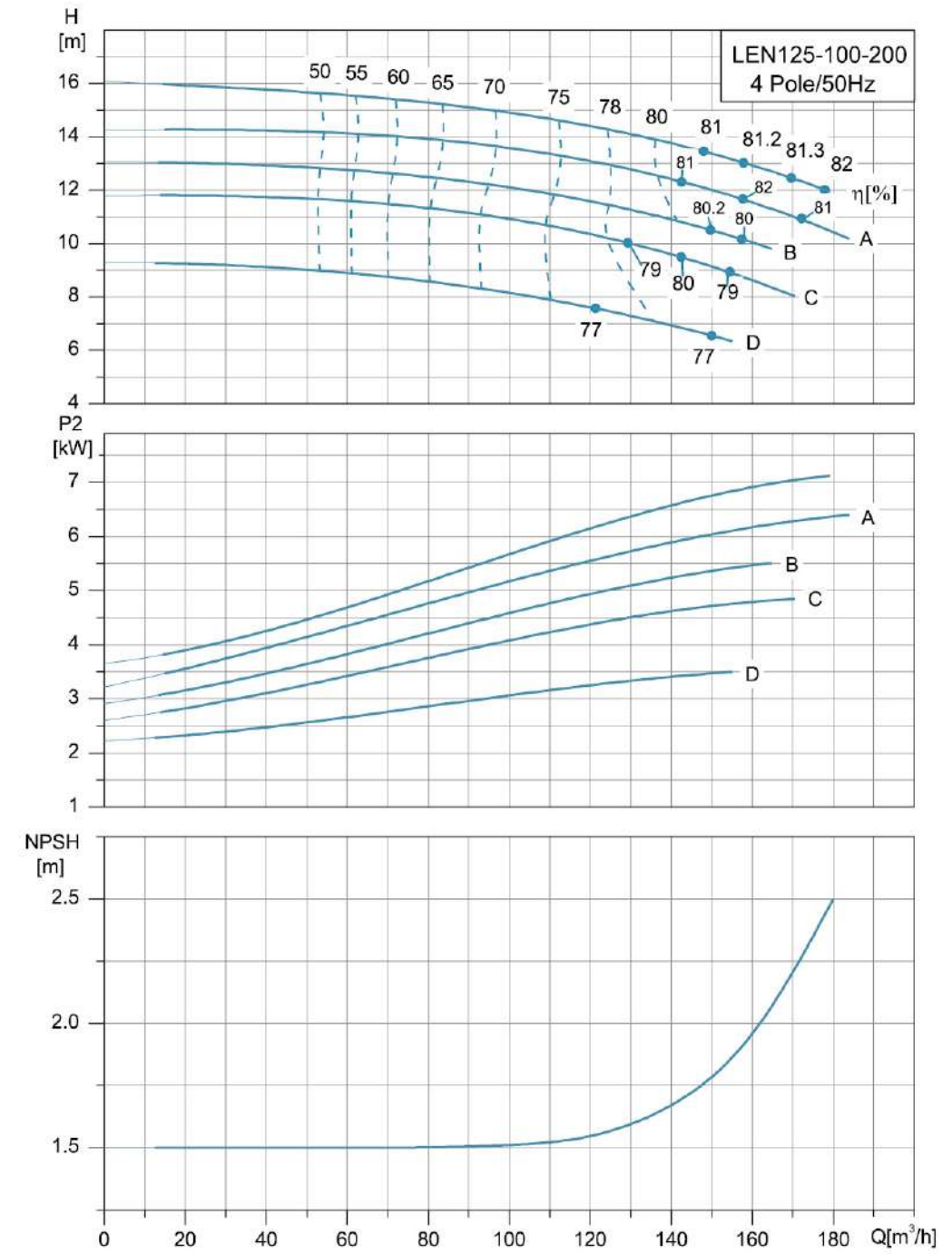
1450r/min



Hydraulic Performance Curves

LEN125-100-200

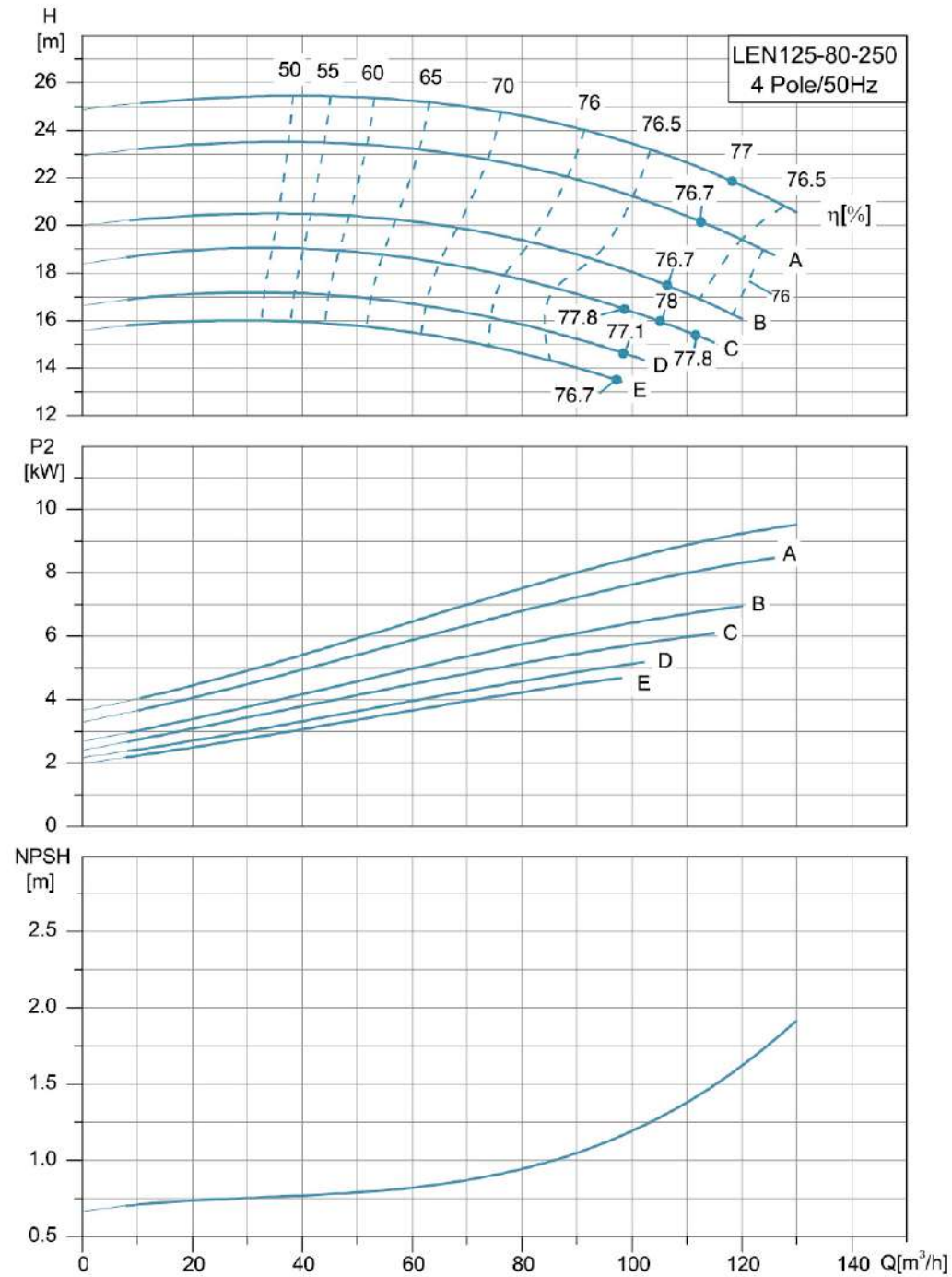
1450r/min



Hydraulic Performance Curves

LEN125-80-250

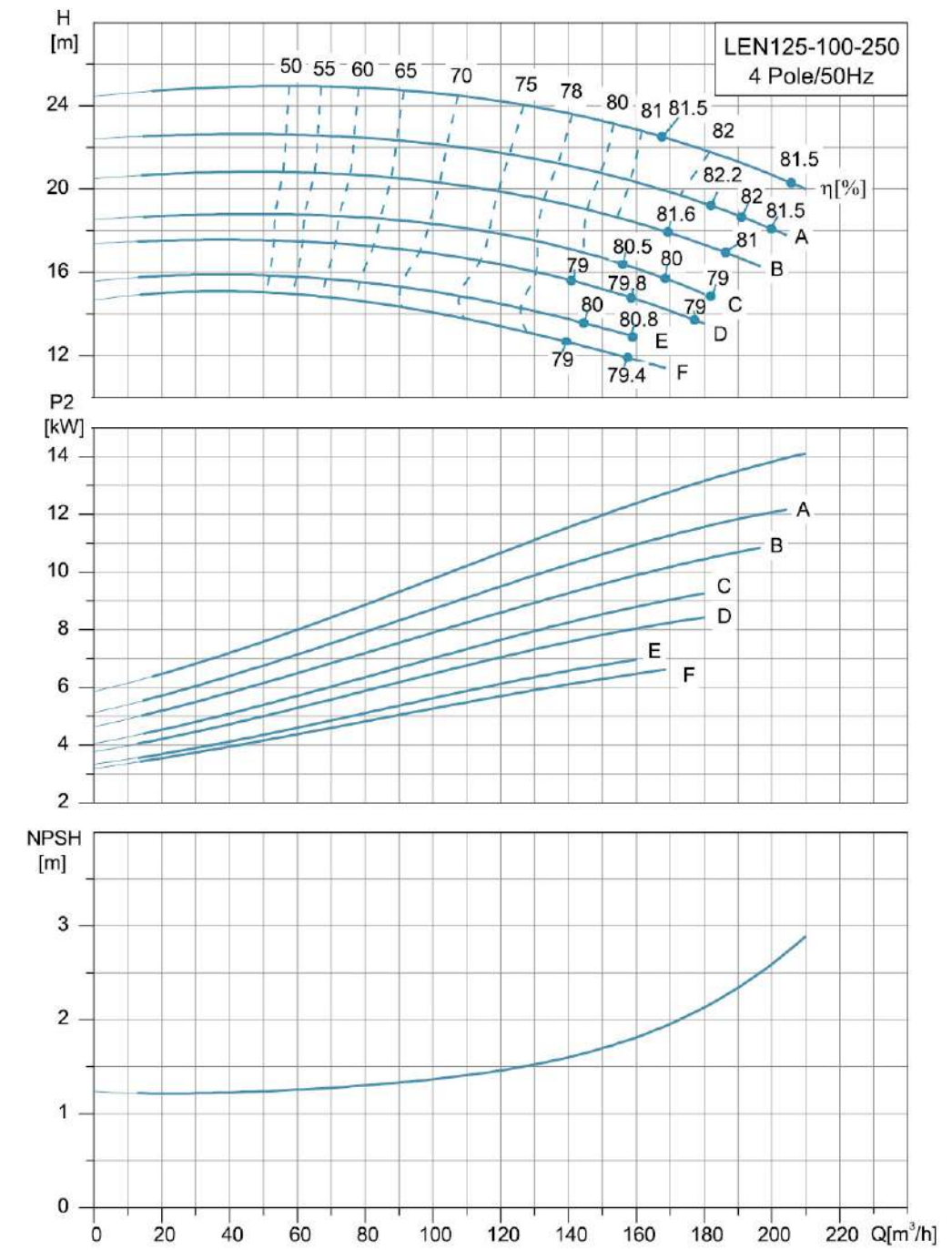
1450r/min



Hydraulic Performance Curves

LEN125-100-250

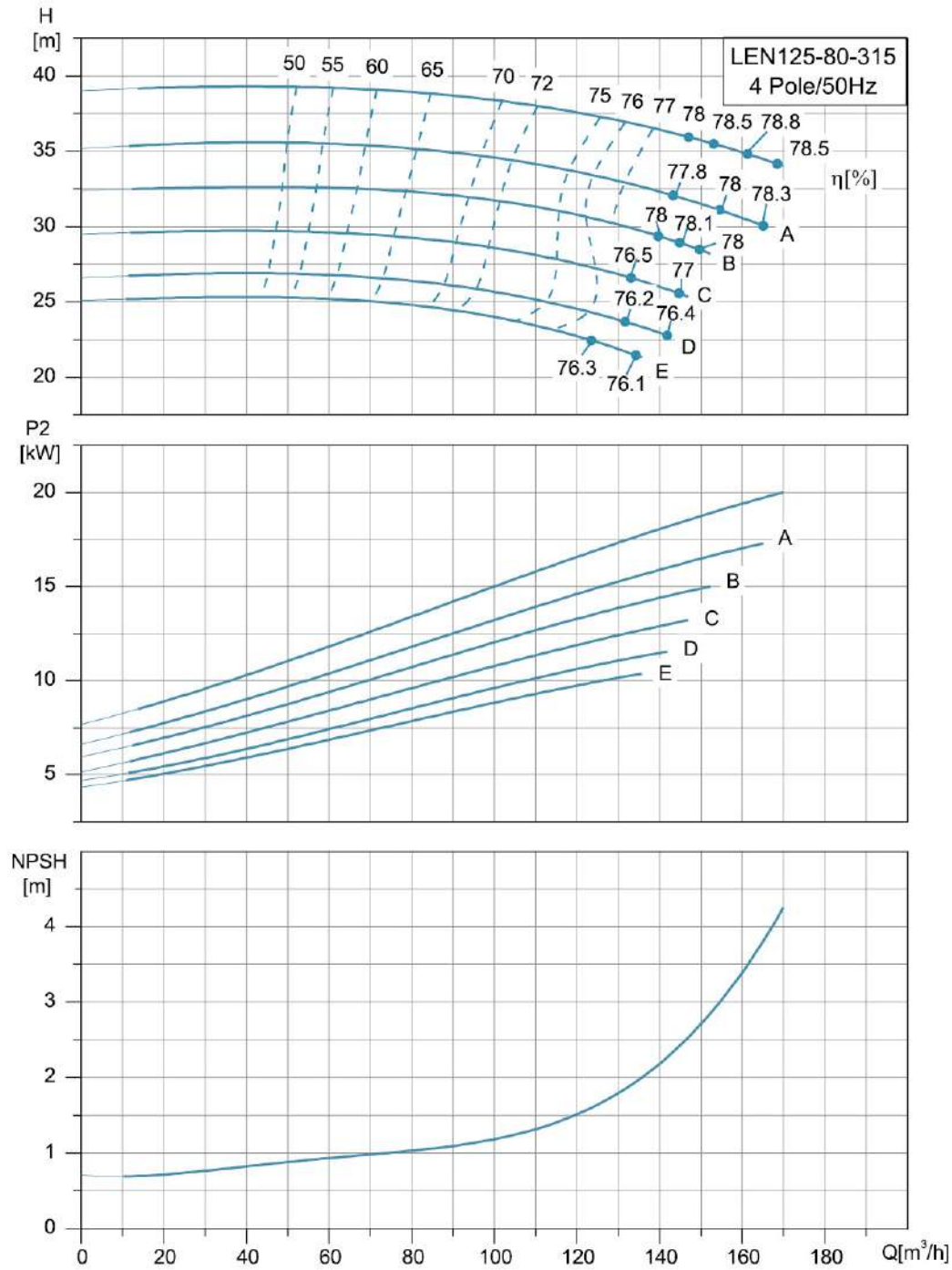
1450r/min



**Hydraulic Performance Curves**

LEN125-80-315

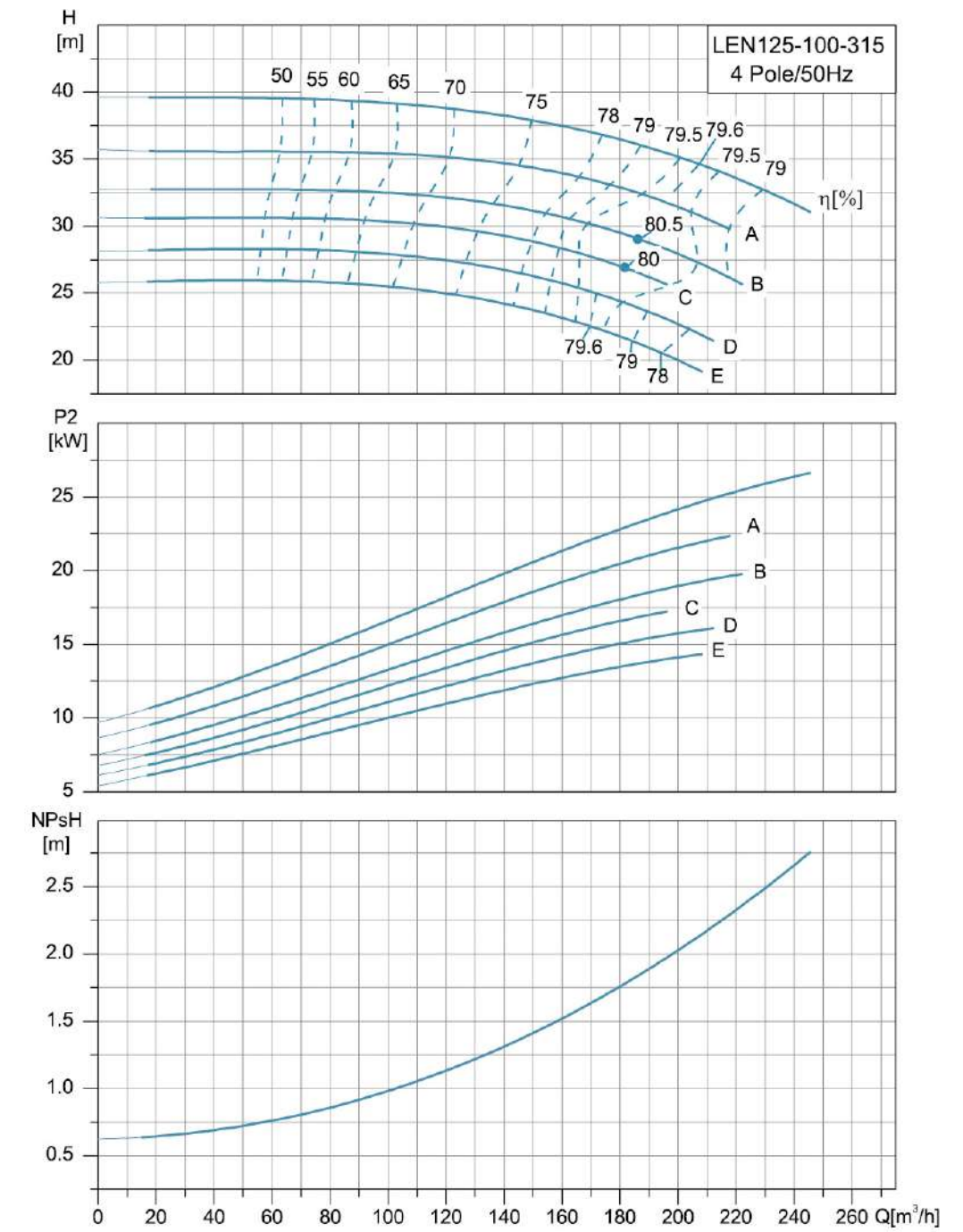
1450r/min



**Hydraulic Performance Curves**

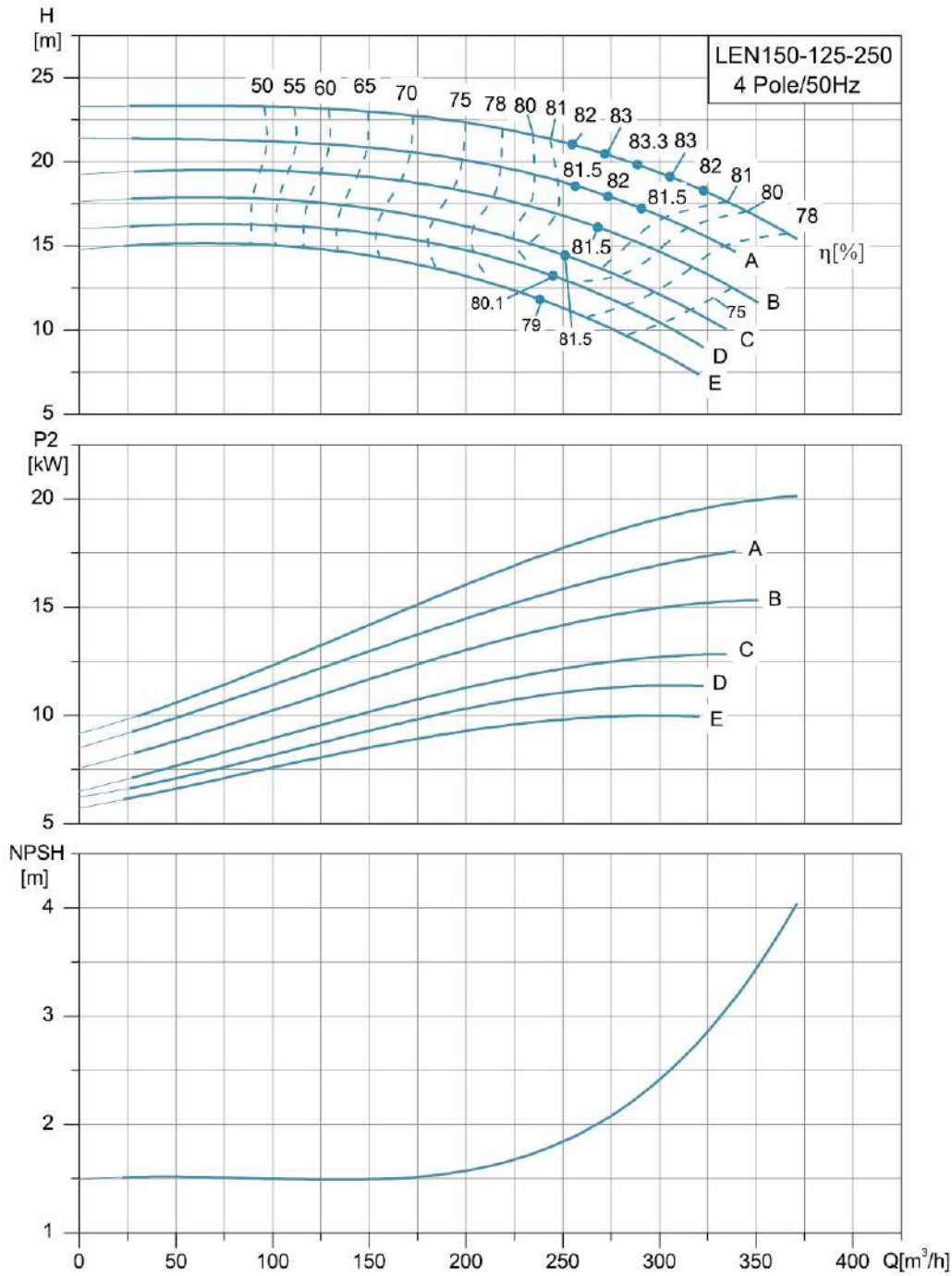
LEN125-100-315

1450r/min

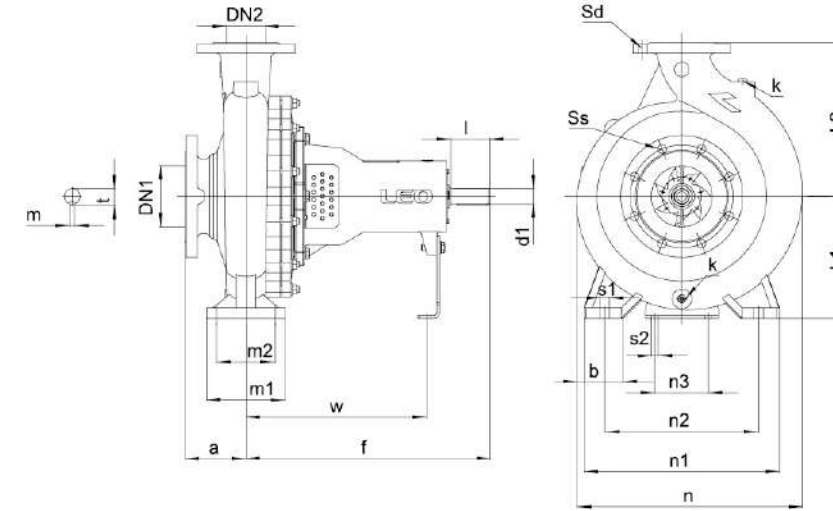


**Hydraulic Performance Curves**

**LEN150-125-250** **1450r/min**

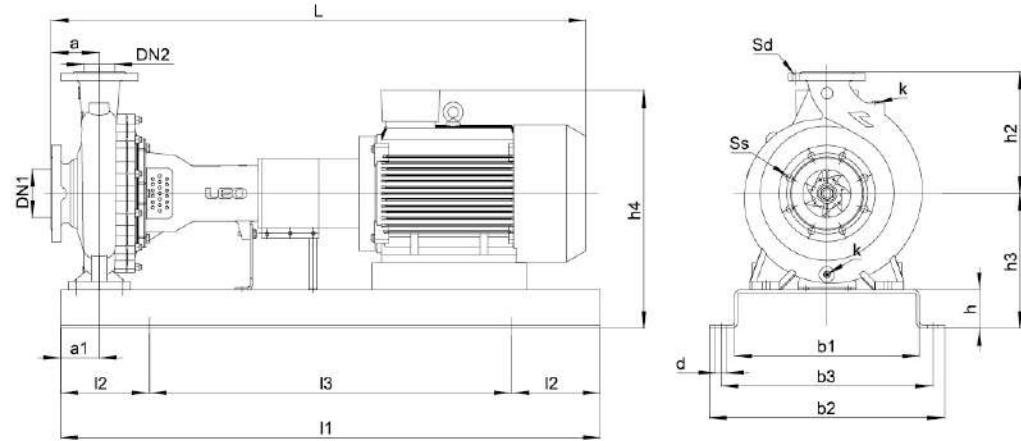


**Pump Size**



Model	DN1	DN2	a	f	h1	h2	b	m1	m2	n	n1	n2	n3	w	s1	s2	d1	l	m	t	Sd	Ss	k
LEN125-80-200																							
LEN125-80-200A						180	250	65	125	95	368	345	280			14							
LEN125-80-200B																							
LEN125-80-200C																							
LEN125-80-200D																							
LEN125-80-200E																							
LEN125-80-250																							
LEN125-80-250A		80			225	280				408													
LEN125-80-250B																							
LEN125-80-250C																							
LEN125-80-250D																							
LEN125-80-250E																							
LEN125-80-315																							
LEN125-80-315A																							
LEN125-80-315B																							
LEN125-80-315C						250	315			462													
LEN125-80-315D																							
LEN125-80-315E																							
LEN125-100-200		125																					
LEN125-100-200A																							
LEN125-100-200B																							
LEN125-100-200C					500	200				390	360	280	110	370		14	Ø32	80	10	35		8-Ø18	
LEN125-100-200D																							
LEN125-100-250																							
LEN125-100-250A						280	80	160	120						19								
LEN125-100-250B																							
LEN125-100-250C																							
LEN125-100-250D																							
LEN125-100-250E																							
LEN125-100-250F																							
LEN125-100-315																							
LEN125-100-315A																							
LEN125-100-315B																							
LEN125-100-315C																							
LEN125-100-315D																							
LEN125-100-315E																							
LEN150-125-250																							
LEN150-125-250A																							
LEN150-125-250B																							
LEN150-125-250C		150	125																				
LEN150-125-250D																							
LEN150-125-250E																							

### Dimension



Model	DN1	a	a1	h4	L	l1	l2	l3	DN2	Ss	Sd	h2	h3	h	d	b1	b3	b2	k																																		
LEN125-80-200	125			468	1128																																																
LEN125-80-200A				449	1053															1120	190	740	250	280	380	440	490																										
LEN125-80-200B				431	1035																																																
LEN125-80-200C																																																					
LEN125-80-200D																																																					
LEN125-80-200E																										4-024																											
LEN125-80-250																					567	1265																															
LEN125-80-250A																							1166	1250	205	840	80		280	325			430	490	540																		
LEN125-80-250B																																																					
LEN125-80-250C																					513	1128																															
LEN125-80-250D																																																					
LEN125-80-250E																																																					
LEN125-80-315																																																					
LEN125-80-315A																																																					
LEN125-80-315B																																																					
LEN125-80-315C																																																					
LEN125-80-315D																																																					
LEN125-80-315E																																																					
LEN125-100-200				125																100		1166	1120	190	740																												
LEN125-100-200A																					488																		300	100	4-024	380	440	490	R3/8								
LEN125-100-200B																																						1128															
LEN125-100-200C																																																					
LEN125-100-200D																																						469	1053														
LEN125-100-250																																																					
LEN125-100-250A								1324	1400	230	940			280			4-028	480	550		610																																
LEN125-100-250B																																																					
LEN125-100-250C																																																					
LEN125-100-250D																																																					
LEN125-100-250E																																																					
LEN125-100-250F																																																					
LEN125-100-315																																																					
LEN125-100-315A																																																					
LEN125-100-315B																																																					
LEN125-100-315C																																																					
LEN125-100-315D																																																					
LEN125-100-315E																																																					
LEN150-125-250	150						1403																																														
LEN150-125-250A						617	1365																																														
LEN150-125-250B																																																					
LEN150-125-250C																																																					
LEN150-125-250D																																						592	1324	1400	230	940							4-028	480	550	610	
LEN150-125-250E																																																					
LEN150-125-250E																																																					
LEN150-125-250E																																																					
LEN150-125-250E																																																					
LEN150-125-250E																																																					

### MEMO

---

---

---

---

---

---

---

---

---

---

---

---

---

---

---

---

---

---

---

---

---

---

---

---

---

## Pump Range



● Peripheral Pump



● Self-Priming Peripheral Pump



● Jet Pump



● Jet Pump for Deep Wells



● Centrifugal Pump



● Multistage Centrifugal Pump



● Self-Priming Centrifugal Pump



● Stainless Steel Multistage Centrifugal Pump



● Stainless Steel Centrifugal Pump



● Submersible Pump



● Stainless Steel Submersible Pump



● Stainless Steel Submersible Sewage Pump



● Flexible Shaft Pump



● Domestic Lifting Station



● Pool Pump



● Garden Submersible Pump



● Garden Jet Pump



● Pressure Booster System



● Fountain Pump



● Standard Centrifugal Pump



● Submersible Borehole Pump



● Gasoline/Diesel Engine Pump



● Booster Pump/Circulation Pump

## Pump Range



● Submersible Sewage Pump



● Submersible Sewage Pump



● Submersible Dewatering Pump



● Submersible Slurry Pump



● Stainless Steel Vertical Multistage Pump



● Stainless Steel Horizontal Multistage Pump



● Semi-open Impeller Stainless Steel Centrifugal Pump



● Stainless Steel Standard Centrifugal Pump



● Pressure Booster System



● Vertical In-line Pump



● Bare Shaft End Suction Centrifugal Pump



● End Suction Centrifugal Pump