



Application

- It is used for water circulation in all kinds of small domestic swimming pools. Slightly dirty water with solids in suspension can be perfectly filtered.

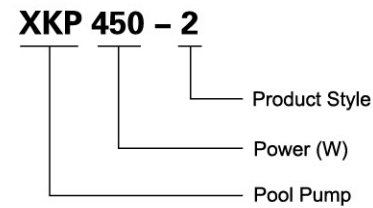
Pump

- Engineering plastic pump body
- AISI 304 shaft
- Max. liquid temperature: +35°C
- Max. suction: 3.5 m

Motor

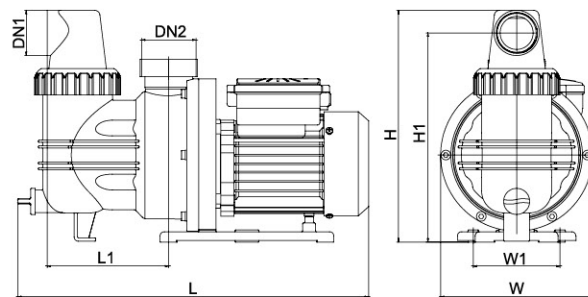
- Motor with copper or aluminum winding
- Built-in thermal protector for single phase motor
- Insulation class: F
- Protection class: IPX5

Identification Codes



Technical Data

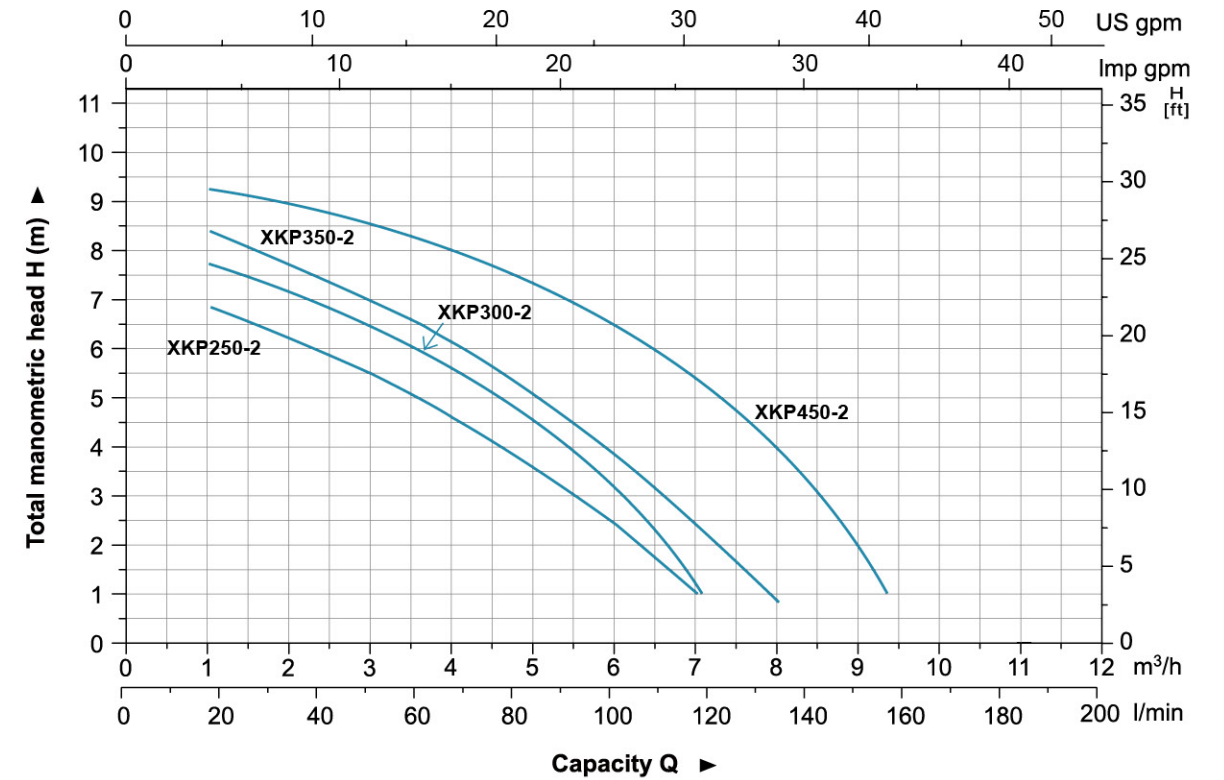
| MODEL | POWER (P ₁) W | Q (m ³ /h) Q (l/min) | H (m) | | | | | | | | | |
|----------|------------------------------|------------------------------------|-------|-----|-----|-----|-----|-----|-----|-----|-----|----|
| | | | 1 | 2 | 3 | 4 | 5 | 6 | 7 | 8 | 9 | 10 |
| XKP250-2 | 250 | | 6.9 | 6.3 | 5.5 | 4.6 | 3.6 | 2.4 | 1.0 | - | - | - |
| XKP300-2 | 300 | | 7.7 | 7.2 | 6.4 | 5.5 | 4.5 | 3.0 | 1.0 | - | - | - |
| XKP350-2 | 350 | | 8.4 | 7.7 | 7.0 | 6.2 | 5.0 | 3.8 | 2.3 | 0.8 | - | - |
| XKP450-2 | 450 | | 9.6 | 9.1 | 8.5 | 8.0 | 7.3 | 6.4 | 5.2 | 4.0 | 2.4 | - |



Dimension

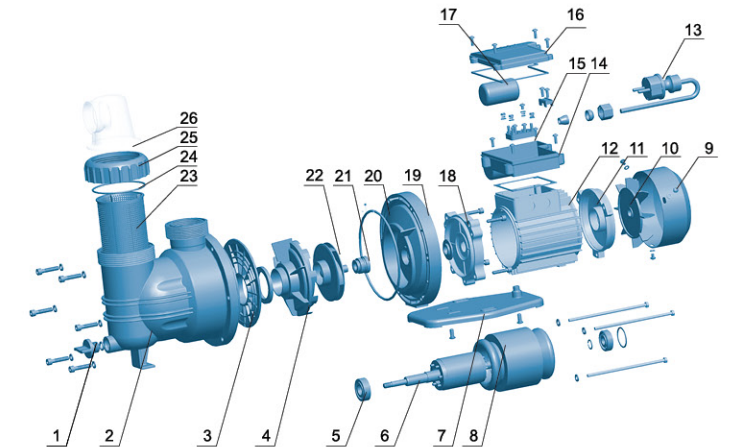
| Model | DN1 | DN2 | L (mm) | W (mm) | H (mm) | L1 (mm) | W1 (mm) | H1 (mm) |
|----------|-----|-----|--------|--------|--------|---------|---------|---------|
| XKP250-2 | 40 | 40 | 416 | 175 | 265 | 140 | 100 | 239 |
| XKP300-2 | 40 | 40 | 416 | 175 | 265 | 140 | 100 | 239 |
| XKP350-2 | 40 | 40 | 416 | 175 | 265 | 140 | 100 | 239 |
| XKP450-2 | 40 | 40 | 416 | 175 | 265 | 140 | 100 | 239 |

Hydraulic Performance Curves



Materials Table

| No. | Part | Material | No. | Part | Material |
|-----|-------------------|----------|-----|--------------------|----------------|
| 1 | Filling plug | PP | 14 | Terminal box | ABS |
| 2 | Pump body | PP | 15 | Terminal board | PC |
| 3 | Water proof cover | PPO | 16 | Terminal box cover | ABS |
| 4 | Diffuser | PPO | 17 | Capacitor | |
| 5 | Ball bearing | | 18 | Front plate | ZL102 |
| 6 | Rotor | | 19 | Support | PP |
| 7 | Base | PA | 20 | O-ring | NBR |
| 8 | Stator | | 21 | Mechanical seal | Carbon/Ceramic |
| 9 | Fan cover | 08F | 22 | Impeller | PPO |
| 10 | Fan | PP | 23 | Sieve | PP |
| 11 | Rear cover | ZL102 | 24 | O-ring | NBR |
| 12 | Motor housing | ZL102 | 25 | Nut | ABS |
| 13 | Cable | | 26 | Connector | PC |



Package Information

| Model | GW (Kgs) | L (mm) | W (mm) | H (mm) | Quantity (PCS/20 TEU) |
|----------|----------|--------|--------|--------|-----------------------|
| XKP250-2 | 5.6 | 450 | 203 | 238 | 1341 |
| XKP300-2 | 6.0 | 450 | 203 | 238 | 1341 |
| XKP350-2 | 6.2 | 450 | 203 | 238 | 1341 |
| XKP450-2 | 6.4 | 450 | 203 | 238 | 1341 |





Application

- It is used for water circulation in small and medium-sized swimming pools. Slightly dirty water with solids in suspension can be perfectly filtered.

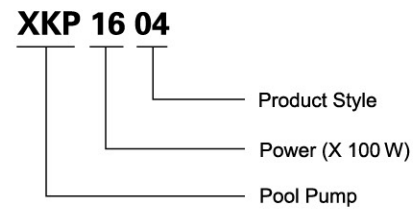
Pump

- Engineering plastic pump body
- AISI 304 shaft
- Max. liquid temperature: +35°C
- Max. suction: 3.5 m

Motor

- Motor with copper or aluminum winding
- Built-in thermal protector for single phase motor
- Insulation class: F
- Protection class: IPX5

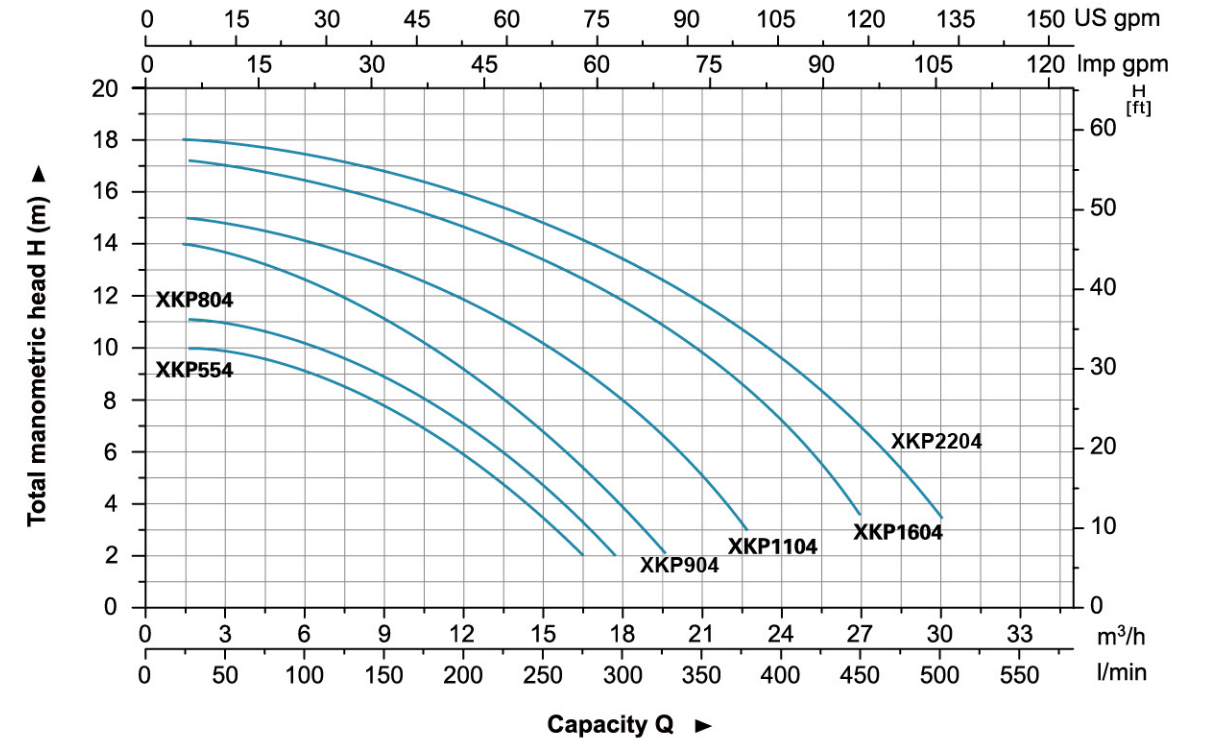
Identification Codes



Technical Data

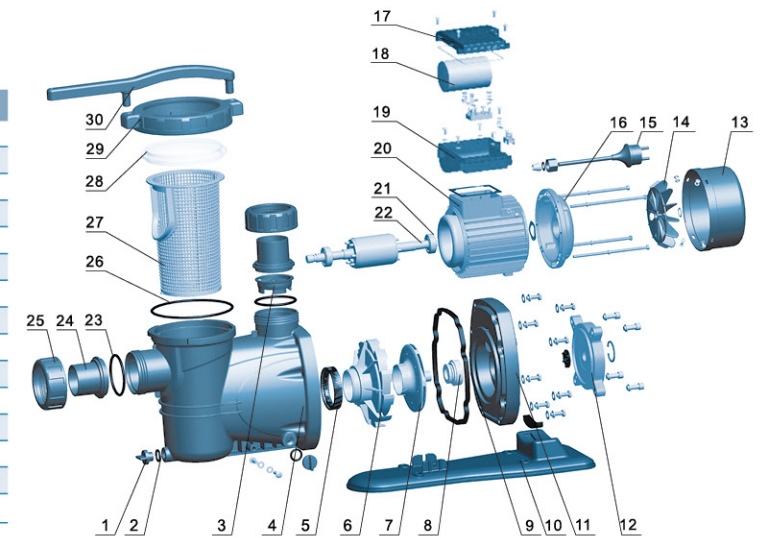
| MODEL | POWER (P _i) W | Q (m ³ /h) Q (l/min) | 3 | 6 | 9 | 12 | 15 | 18 | 21 | 24 | 27 | 30 |
|---------|------------------------------|------------------------------------|-------|------|------|------|------|------|------|-----|-----|-----|
| | | | H (m) | | | | | | | | | |
| XKP554 | 600 | | 9.7 | 9 | 8 | 6 | 3.2 | 0.5 | - | - | - | - |
| XKP804 | 800 | | 10.8 | 10.3 | 8.8 | 7 | 4.5 | 1.5 | - | - | - | - |
| XKP904 | 900 | | 13.2 | 12.3 | 11.1 | 9.2 | 6.5 | 3.4 | 0.2 | - | - | - |
| XKP1104 | 1100 | | 14.8 | 14.2 | 13.2 | 12 | 10.3 | 8 | 4.8 | - | - | - |
| XKP1604 | 1600 | | 16.8 | 16.3 | 15.5 | 14.5 | 13.5 | 12 | 9.6 | 7 | 3.5 | - |
| XKP2204 | 2200 | | 17.8 | 17.3 | 16.5 | 16 | 14.8 | 13.4 | 11.7 | 9.5 | 6.5 | 3.3 |

Hydraulic Performance Curves



Materials Table

| No. | Part | Material | No. | Part | Material |
|-----|----------------------|----------------|-----|-----------------|----------|
| 1 | Drain plug | PP | 16 | Rear cover | ZL102 |
| 2 | O-ring | NBR | 17 | Capacitor cover | ABS |
| 3 | Valve body | PP | 18 | Capacitor | |
| 4 | Pump body | PP | 19 | Terminal box | ABS |
| 5 | Diffuser seal washer | NBR | 20 | Stator | |
| 6 | Diffuser | PP | 21 | Bearing | |
| 7 | Impeller | PPO | 22 | Rotor | |
| 8 | Mechanical seal | Carbon/Ceramic | 23 | O-ring | NBR |
| 9 | O-ring | NBR | 24 | Connector | PVC |
| 10 | Bottom board | PP | 25 | Nut | ABS |
| 11 | Plastic support | PP | 26 | O-ring | EPDM |
| 12 | Pump support | ZL102 | 27 | Sieve | PP |
| 13 | Fan cover | PP | 28 | Pump cover | PC |
| 14 | Fan | PP | 29 | Pump cover nut | PA6 |
| 15 | Cable | | 30 | Wrench | PP |



Dimension

| Model | DN1 | DN2 | L (mm) | W (mm) | H (mm) | L1 (mm) | L2 (mm) | H1 (mm) |
|---------|-----|-----|--------|--------|--------|---------|---------|---------|
| XKP554 | | | 554 | 190 | 276 | 274 | 197 | 187 |
| XKP804 | | | 554 | 190 | 276 | 274 | 197 | 187 |
| XKP904 | | | 554 | 190 | 276 | 274 | 197 | 187 |
| XKP1104 | | | 554 | 190 | 276 | 274 | 197 | 187 |
| XKP1604 | | | 584 | 190 | 276 | 274 | 197 | 187 |
| XKP2204 | | | 584 | 190 | 276 | 274 | 197 | 187 |

Package Information

| Model | GW (Kgs) | L (mm) | W (mm) | H (mm) | Quantity (PCS/20 TEU) |
|---------|----------|--------|--------|--------|-----------------------|
| XKP554 | 10.4 | 585 | 220 | 290 | 816 |
| XKP804 | 11.1 | 585 | 220 | 290 | 816 |
| XKP904 | 12.1 | 585 | 220 | 290 | 816 |
| XKP1104 | 12.8 | 585 | 220 | 290 | 816 |
| XKP1604 | 16.1 | 615 | 230 | 290 | 744 |
| XKP2204 | 17.7 | 615 | 230 | 290 | 744 |

