



### Application

- Water supply: filtration and transfer at waterworks, regional water supply and pressure boosting in main pipe
- Industrial pressure boosting: Water system, cleaning system
- Industrial water supply: boiler feeding, cooling system, air conditioning, transportation of light acid and alkali liquid
- Water treatment: distillation systems, separators, swimming pools
- Agricultural irrigation, petrochemical industry, medicine and sanitation, etc.

### Operating Conditions

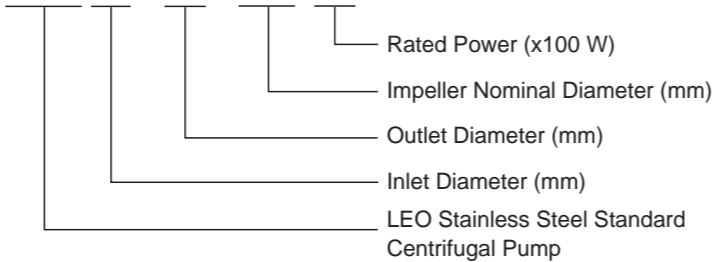
- Thin, clean, non-flammable and explosive, not containing the liquid with solid particles and fibers
- Liquid temperature: -15 - +80
- Flow range: 0.7 - 132 m<sup>3</sup>/h
- Head range: 9 - 58 m
- Ambient temperature range: -15 - +40
- Max. operation: 10 bar
- Altitude: up to 1000 m
- Liquid PH value: 3 - 9
- Max.ambient temperature: +40

### Motor

- IE 2 motor ( IE 3 motor optional)
- Totally enclosed & fan-cooled
- Protection class: IP55
- Insulation class: F

### Identification Codes

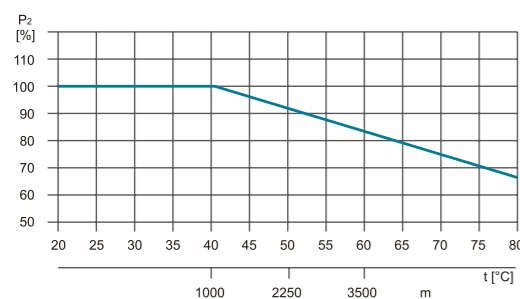
**XZS 65- 50- 160/40**



### Ambient Temperature

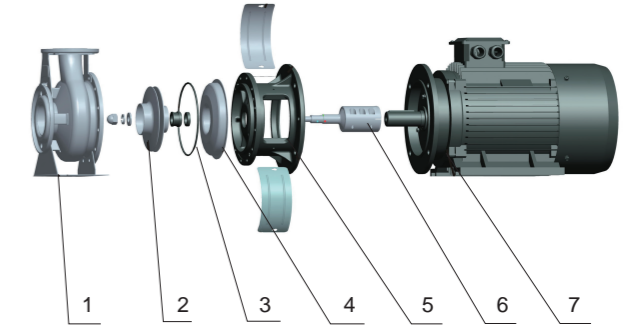
Max. Ambient temperature: +40°C. Ambient temperature above 40°C, or installation at altitude of more than 1000 m above sea level, require the use of an oversize motor. Because of low air density and poor cooling effects, the motor output power P<sub>2</sub> will be decreased. See the picture.

For example, when the pump is installed at altitude of more than 3500 m above sea level, P<sub>2</sub> will be decrease to 88%. When the ambient temperature is 70°C, P<sub>2</sub> will be decreased to 78%.

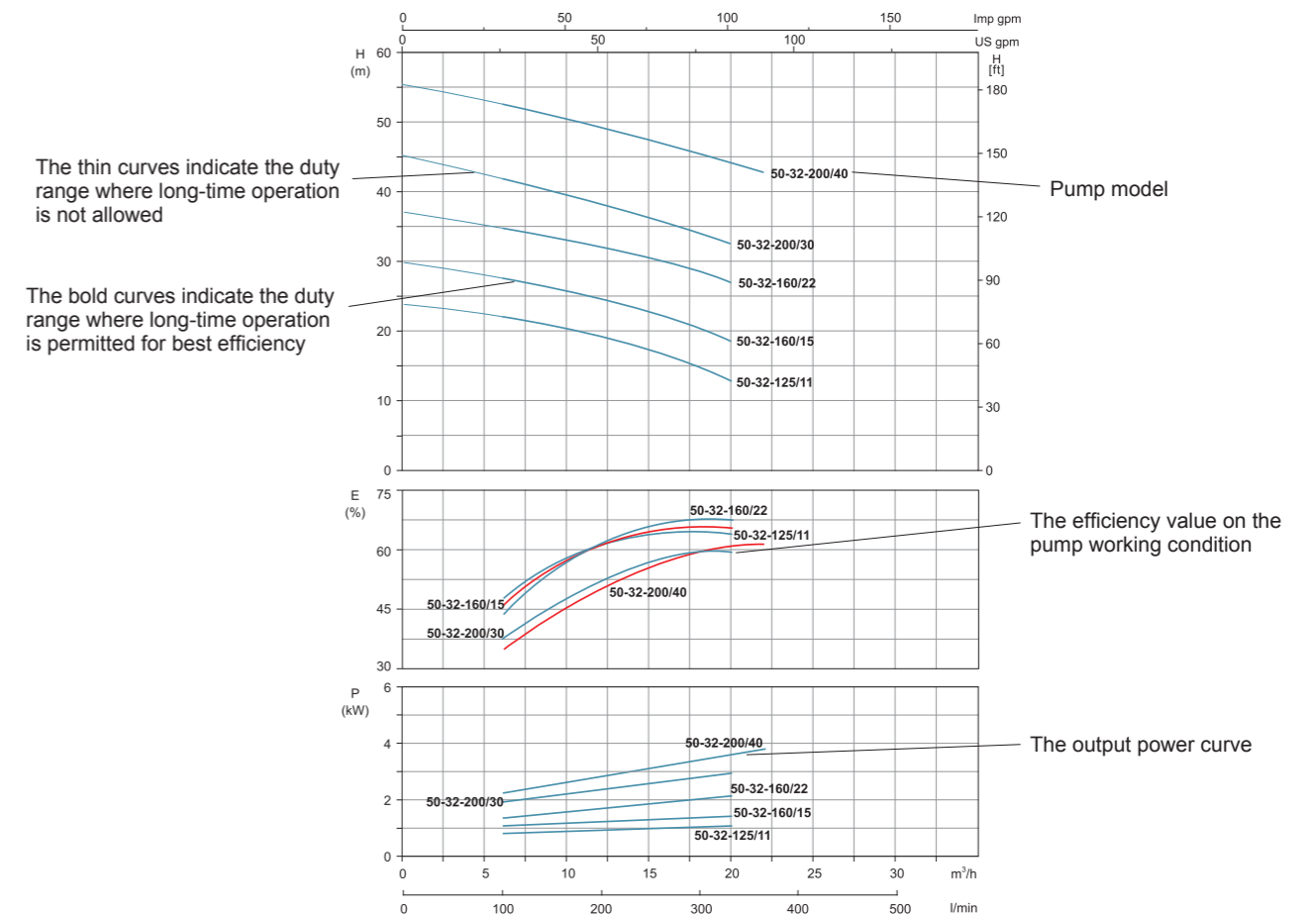


### Materials Table

No.	Part	Material
1	Pump body	AISI 304
2	Impeller	AISI 304
3	Mechanical seal	
4	Rear cover	AISI 304
5	Support	HT 200
6	Pump shaft	AISI 304/45#
7	Motor	



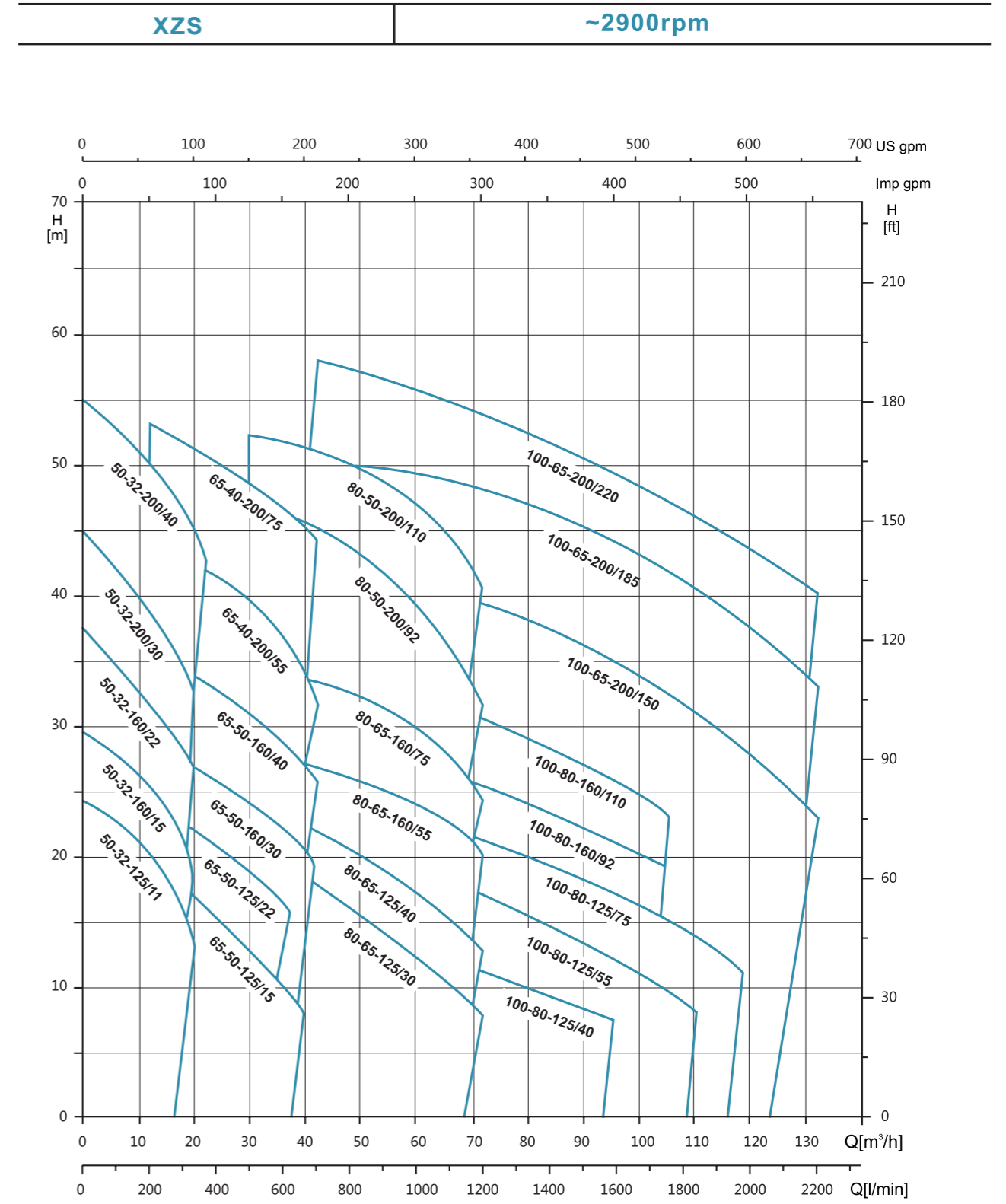
### How to Read The Curve Charts



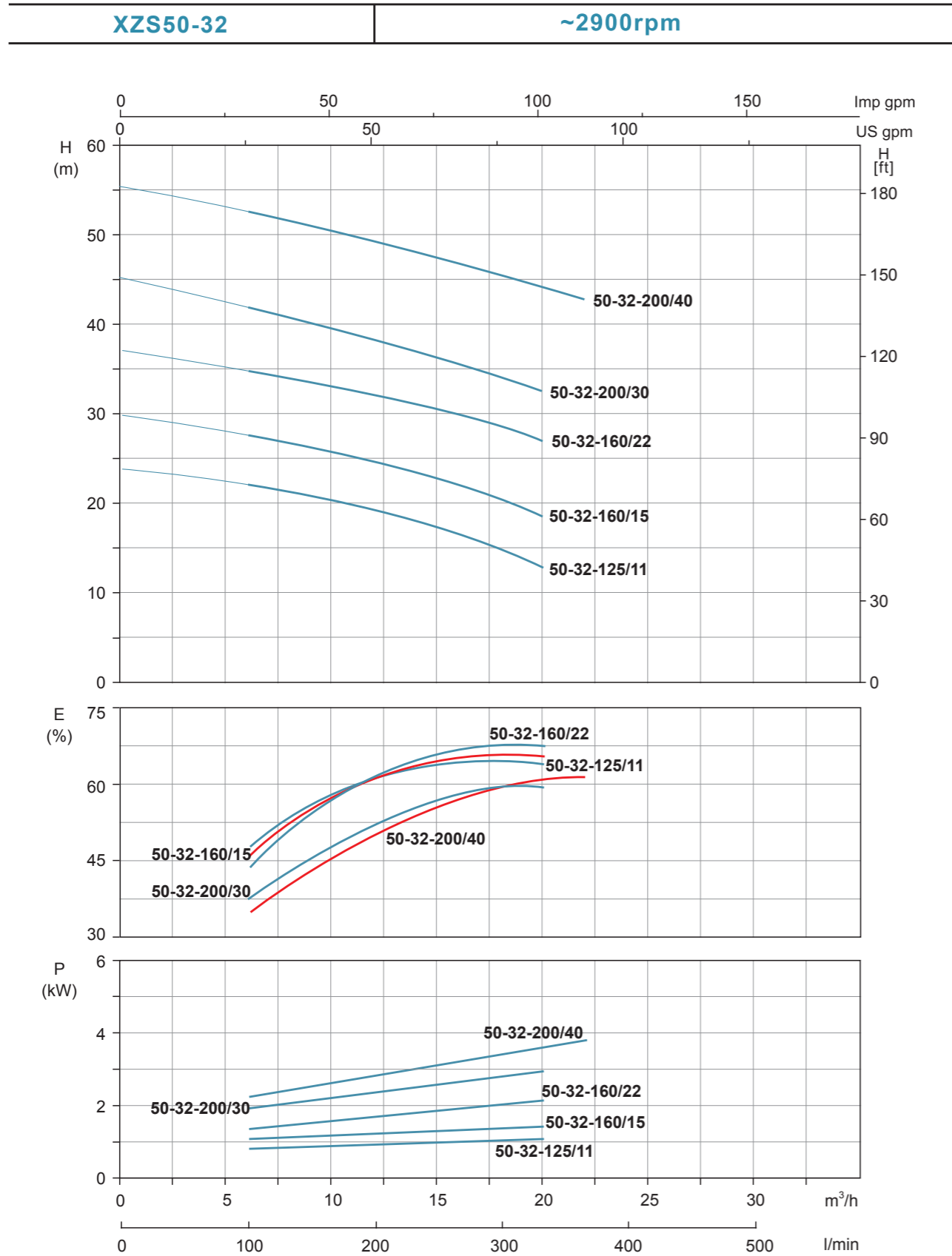
**Technical Data**

MODEL	Power		Q (m³/h)	Q=DELIVERY																				
	kW	HP		Q (l/min)																				
				0	6	9	12	18	20	22	24	27	30	36	42	48	60	72	90	108	114	120	126	132
XZS50-32-125/11	1.1	1.5		24.0	21.5	20.5	19.5	16.0	13.0	-	-	-	-	-	-	-	-	-	-	-	-	-	-	
XZS50-32-160/15	1.5	2		29.5	27.0	26.0	25.0	21.0	18.0	-	-	-	-	-	-	-	-	-	-	-	-	-	-	
XZS50-32-160/22	2.2	3		37.0	33.5	32.5	32.0	28.5	27.0	-	-	-	-	-	-	-	-	-	-	-	-	-	-	
XZS50-32-200/30	3	4		45.0	41.0	40.0	38.0	34.0	32.0	-	-	-	-	-	-	-	-	-	-	-	-	-	-	
XZS50-32-200/40	4	5.5		55.0	51.0	50.0	49.0	46.0	45.0	43.0	-	-	-	-	-	-	-	-	-	-	-	-	-	
XZS65-50-125/15	1.5	2		20.0	-	-	19.0	18.0	17.0	16.5	15.0	14.0	12.5	10.0	-	-	-	-	-	-	-	-	-	
XZS65-50-125/22	2.2	3		26.0	-	-	23.5	22.5	22.0	21.5	21	20.5	19.5	16.5	-	-	-	-	-	-	-	-	-	
XZS65-50-160/30	3	4		31.0	-	-	29.0	27.5	27.0	26.5	25.5	25.0	24.0	22.0	19.0	-	-	-	-	-	-	-	-	
XZS65-50-160/40	4	5.5		39.0	-	-	35.5	34.5	34.0	33.5	32.5	32.0	31.0	29.0	26.0	-	-	-	-	-	-	-	-	
XZS65-40-200/55	5.5	7.5		47.0	-	-	43.0	42.5	42.0	41.5	41.0	40.5	39.0	37.0	33.0	-	-	-	-	-	-	-	-	
XZS65-40-200/75	7.5	10		57.0	-	-	53.0	52.5	52.0	51.0	50.0	49.0	48.0	46.5	44.5	-	-	-	-	-	-	-	-	
XZS80-65-125/30	3	4		22.5	-	-	-	-	-	20.0	19.5	19.0	18.5	17.5	16.0	13.0	9.0	-	-	-	-	-	-	
XZS80-65-125/40	4	5.5	H (m)	25.5	-	-	-	-	-	23.0	22.5	22.0	21.5	20.5	20.0	17.0	13.5	-	-	-	-	-	-	
XZS80-65-160/55	5.5	7.5		33.0	-	-	-	-	-	29.5	29.0	28.5	28.0	27.0	26.0	24.0	20.0	-	-	-	-	-	-	
XZS80-65-160/75	7.5	10		39.0	-	-	-	-	-	36.0	35.0	34.5	34.0	33.5	32.5	29.0	24.0	-	-	-	-	-	-	
XZS80-50-200/92	9.2	12.5		53.0	-	-	-	-	-	-	-	-	48.0	47.5	46.5	44.5	39.5	34.0	-	-	-	-	-	
XZS80-50-200/110	11	15		57.5	-	-	-	-	-	-	-	-	53.0	51.0	50.5	50.0	47.0	41.0	-	-	-	-	-	
XZS100-80-125/40	4	5.5		20.0	-	-	-	-	-	-	-	-	-	17.5	16.5	15.5	14.0	12.0	7.0	-	-	-	-	
XZS100-80-125/55	5.5	7.5		23.0	-	-	-	-	-	-	-	-	-	21.5	20.5	20.0	18.0	16.0	12.0	7.5	-	-	-	
XZS100-80-125/75	7.5	10		29.0	-	-	-	-	-	-	-	-	-	27.5	26.5	25.5	23.5	21.5	17.5	13.0	12.0	-	-	
XZS100-80-160/92	9.2	12.5		33.0	-	-	-	-	-	-	-	-	-	-	31.0	30.0	28.0	26.0	23.0	-	-	-	-	
XZS100-80-160/110	11	15		38.5	-	-	-	-	-	-	-	-	-	-	36.0	35.0	33.0	31.0	28.0	-	-	-	-	
XZS100-65-200/150	15	20		47.0	-	-	-	-	-	-	-	-	-	-	44.0	43.0	41.0	39.0	36.0	32.0	30.0	28.0	26.0	23.0
XZS100-65-200/185	18.5	25		53.0	-	-	-	-	-	-	-	-	-	-	51.0	50.0	49.0	48.0	45.0	41.0	39.0	37.0	35.0	33.0
XZS100-65-200/220	22	30		58.0	-	-	-	-	-	-	-	-	-	-	57.0	56.0	55.0	54.0	51.0	47.0	45.5	44.0	42.0	40.0

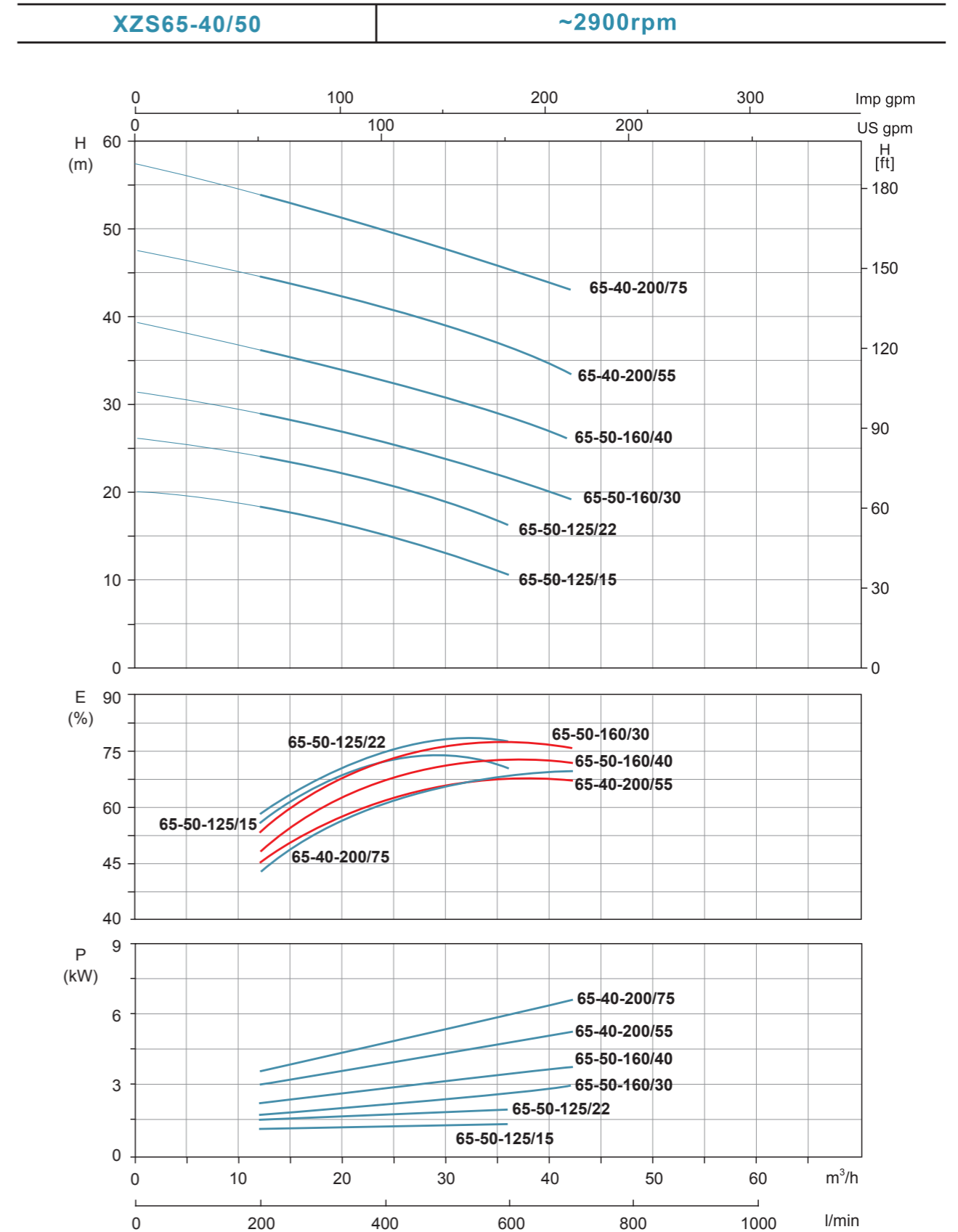
**Characteristic Curves**



## Hydraulic Performance Curves

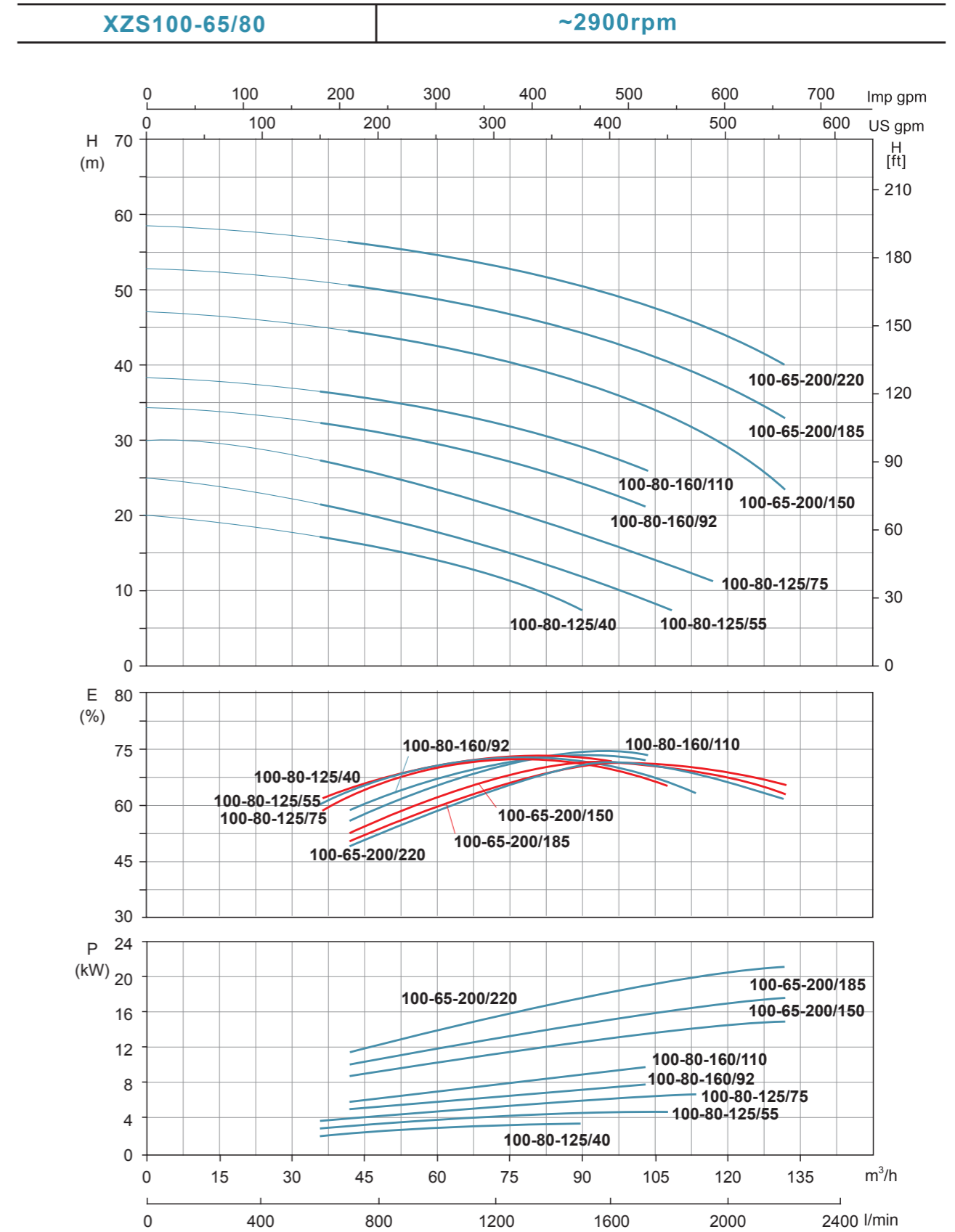
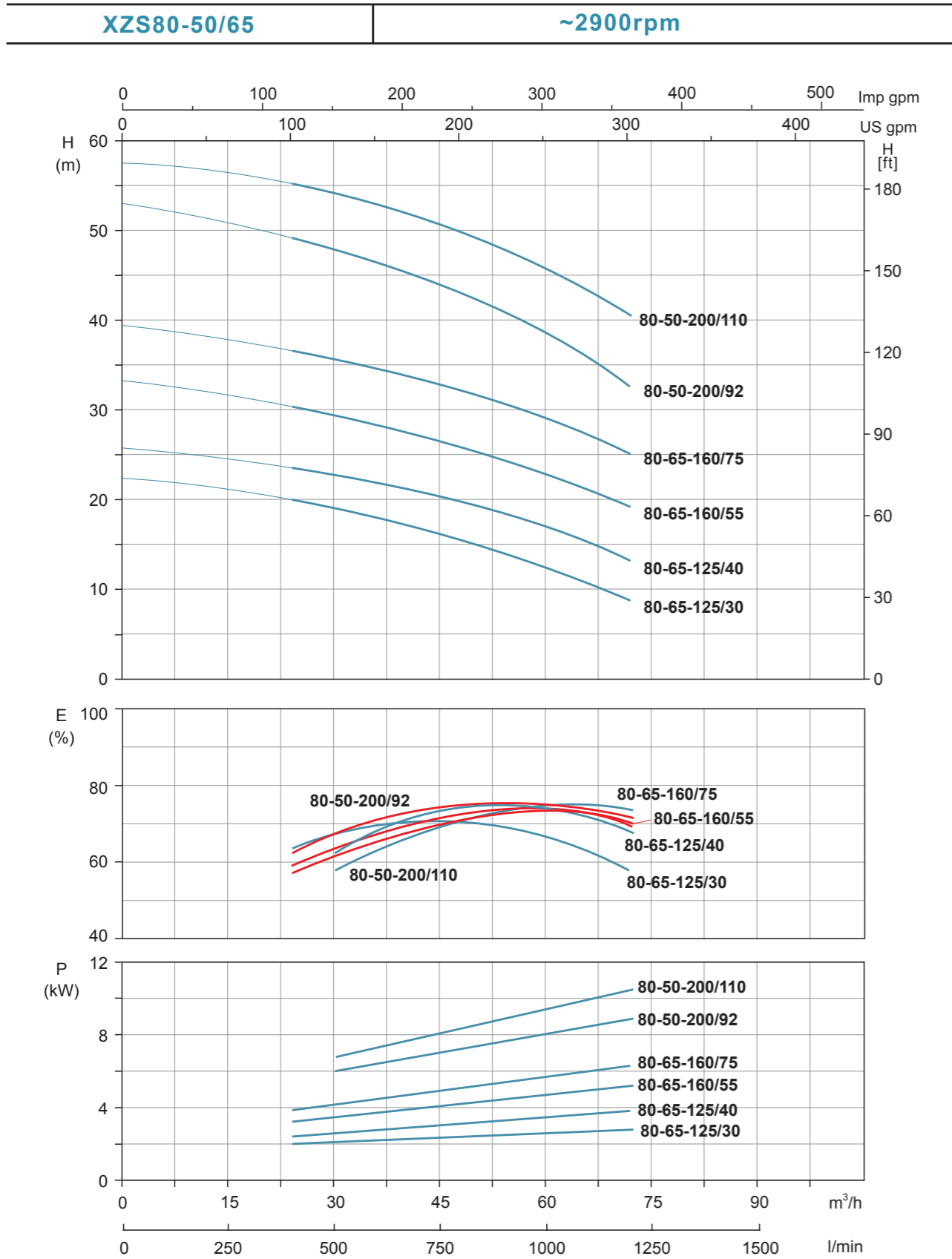


## Hydraulic Performance Curves



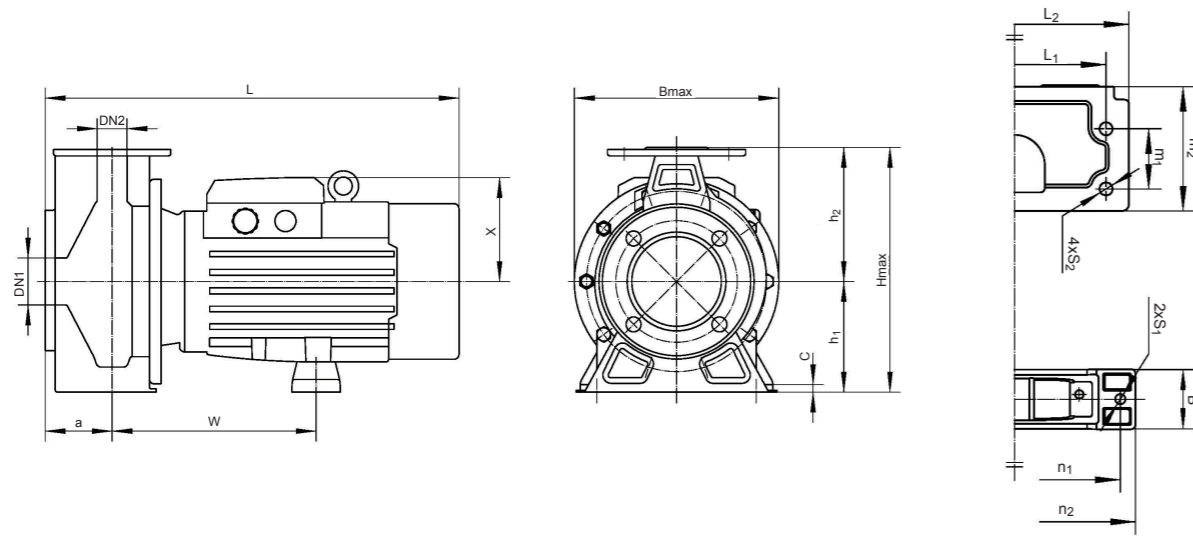
**Hydraulic Performance Curves**

**Hydraulic Performance Curves**



### Installation Sketch

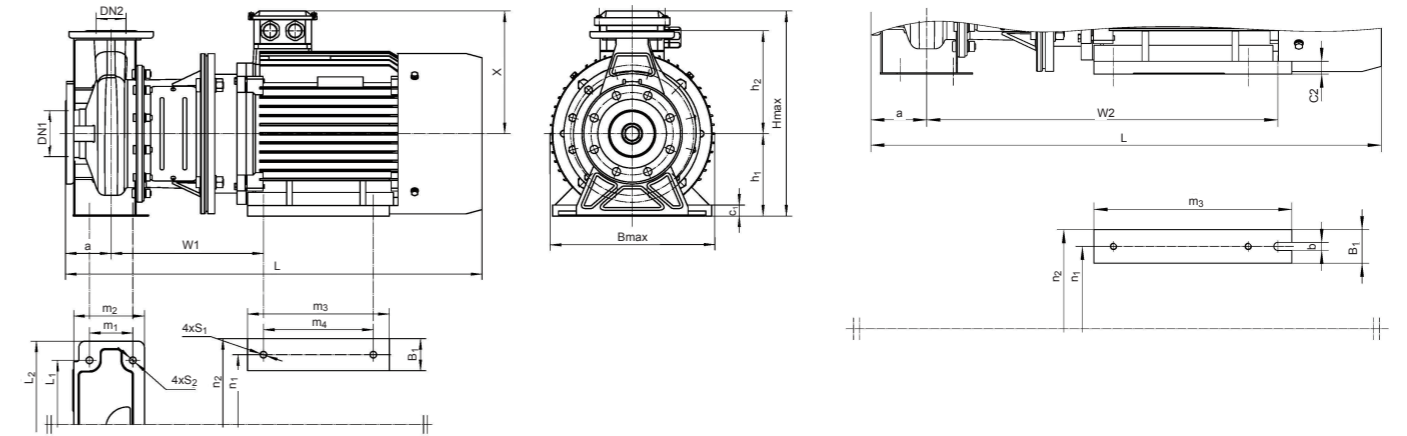
Up to 7.5 kW included



Model	DN1	DN2	a	w	L1	L2	m1	m2	n1	n2	h1	h2	2-S1	4-S2	B	C	X	Bmax	Hmax	L												
XZS50-32-125/11	50	32	80	205	140	190	70	122	205	240	112	140	2-Ø12	4-Ø15	65	12	127	240	250	475												
XZS50-32-160/15				207	190	240					132	160						244	292	477												
XZS50-32-160/22				244	124	225					260	160						180	75	15	124	295	340	492								
XZS50-32-200/30				205	160	210					121	205						240	112	140	65	12	127	240	252	475						
XZS50-32-200/40				244	123	225					260	132						160	75	124	260	292	492									
XZS65-50-125/15				65	50	100					205	160						210	70	121	205	240	112	140	2-Ø12	4-Ø15	65	12	127	240	252	475
XZS65-50-125/22	244	190	240				123	225	260	132	160	75	124	260	292	492																
XZS65-50-160/30	246	212	265				146	245	280	160	180	70	142	295	340	563																
XZS65-50-160/40	254	190	240				158	225	260	132	160	75	15	124	260	292	522															
XZS65-40-200/55	256	265	150				245	280	150	245	280	70	142	295	340	573																
XZS65-40-200/75	258	280	95				155	225	260	160	180	75	124	260	292	522																
XZS80-65-125/30	80	65	100	254	190	240	70	158	225	260	132	160	2-Ø12	4-Ø15	75	15	124	260	292	522												
XZS80-65-125/40				256	265	150					245	280						150	245	280	70	142	295	340	573							
XZS80-65-160/55				258	280	95					155	225						260	160	180	75	124	260	292	522							
XZS80-65-160/75				258	280	95					155	245						280	160	180	70	142	295	340	575							
XZS100-80-125/40				100	80	100					258	212						280	95	155	245	280	160	180	2-Ø12	4-Ø15	70	15	124	260	292	522
XZS100-80-125/55											258	212						280					95	155						245	280	160
XZS100-80-125/75	258	212	280				95	155	245	280	160	180	70	142	295	340	575															
XZS100-80-125/75	258	212	280				95	155	245	280	160	180	70	142	295	340	575															

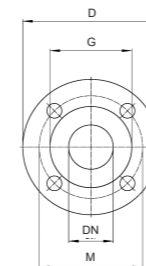
### Installation Sketch

From 7.5 kW



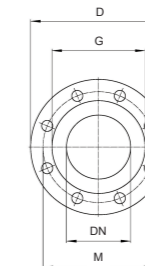
Model	DN1	DN2	a	w1	w2	L1	L2	m1	m2	m3	m4	n1	n2	h1	h2	4-S1	4-S2	B1	b	c1	c2	X	Bmax	Hmax	L
XZS80-50-200/92	80	50	314			265	70	146	210	260															816
XZS80-50-200/110					-	212								320	160	200	4-Ø14.5	65	-	20	-				420
XZS100-80-160/92																									
XZS100-80-160/110		80	321			280			260	210	254						4-Ø14						260	350	823
XZS100-65-200/150	100			581			95	155	310																440
XZS100-65-200/185		65		625	250	320			354			314		180	225			60	14.5	-	20				868
XZS100-65-200/220			334						311	241	279	355				4-Ø14.5		70	-	22	-	280	355	460	913

### Flange Dimensions



#### PN16 FLANGES

DN	D	M	G	Holes		Max. Thickness
				N	Ø	
Ø32	140	100	76	4	18	14
Ø40	150	110	84	4	18	14.5
Ø50	165	125	99	4	18	15
Ø65	185	145	118	4	18	16
Ø80	200	160	132	4	18	18



#### PN16 FLANGES

DN	D	M	G	Holes		Max. Thickness
				N	Ø	
Ø100	220	180	152	8	18	18